



(12) **United States Design Patent**
Andersen et al.

(10) **Patent No.:** **US D973,994 S**
(45) **Date of Patent:** **** Dec. 27, 2022**

(54) **JACK**

FOREIGN PATENT DOCUMENTS

(71) Applicant: **Snap-on Incorporated**, Kenosha, WI
(US)

AU 201915329 11/2019
AU 201916427 12/2019

(Continued)

(72) Inventors: **Jonathan I. Andersen**, Mount Pleasant,
WI (US); **James T. Rettler**, Kenosha,
WI (US); **Benjamin T. Schulz**, Racine,
WI (US)

OTHER PUBLICATIONS

2 Ton Low Profile Jack W1642 Owner's Manual, 2009, 5 pages.
(Continued)

(73) Assignee: **Snap-on Incorporated**, Kenosha, WI
(US)

Primary Examiner — Cynthia Ramirez
Assistant Examiner — Tamara L Hahn
(74) *Attorney, Agent, or Firm* — Seyfarth Shaw LLP

(**) Term: **15 Years**

(21) Appl. No.: **29/833,224**

(22) Filed: **Apr. 1, 2022**

(57) **CLAIM**

The ornamental design for a jack, as shown and described.

Related U.S. Application Data

(62) Division of application No. 29/775,850, filed on Mar.
25, 2021, now Pat. No. Des. 952,284, which is a
division of application No. 29/702,697, filed on Aug.
21, 2019, now Pat. No. Des. 933,928.

DESCRIPTION

(51) **LOC (13) Cl.** **12-05**

(52) **U.S. Cl.** **D34/31**
USPC **D34/28, 29, 30, 31, 33, 34, 35**

(58) **Field of Classification Search**
USPC D34/28, 29, 30, 31, 33, 34, 35
CPC B66F 5/04; B66F 5/00; B66F 5/02; B66F
3/42; B66F 3/44; B66F 1/06; B66F
19/00; B66F 2700/05
See application file for complete search history.

FIG. 1 is a perspective view of a jack in a lowered position,
according to the present invention;
FIG. 2 is a first end view of the jack of FIG. 1;
FIG. 3 is a second end view of the jack of FIG. 1;
FIG. 4 is a first side view of the jack of FIG. 1;
FIG. 5 is a second side view of the jack of FIG. 1;
FIG. 6 is a top view of the jack of FIG. 1;
FIG. 7 is a bottom view of the jack of FIG. 1;
FIG. 8 is a perspective view of the jack of FIG. 1 in a raised
position;
FIG. 9 is a first end view of the jack of FIG. 8;
FIG. 10 is a second end view of the jack of FIG. 8;
FIG. 11 is a first side view of the jack of FIG. 8;
FIG. 12 is a second side view of the jack of FIG. 8;
FIG. 13 is a top view of the jack of FIG. 8; and,
FIG. 14 is a bottom view of the jack of FIG. 8.
The broken lines in the drawings depict portions of the jack
that form no part of the claimed design.

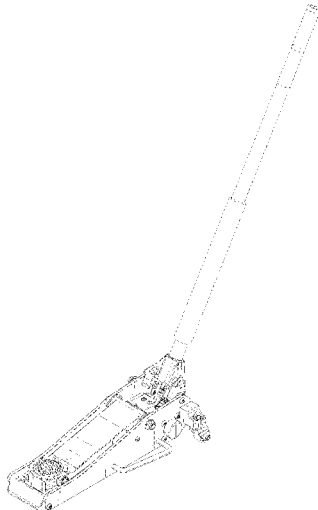
(56) **References Cited**

U.S. PATENT DOCUMENTS

2,231,047 A 2/1941 Ziska
D139,341 S 11/1944 Page
2,610,025 A 9/1952 Mueller
D216,034 S 11/1969 Gaarder et al.
D221,974 S 9/1971 Kincaid

(Continued)

1 Claim, 14 Drawing Sheets



(56)

References Cited

U.S. PATENT DOCUMENTS

4,018,421 A 4/1977 Tallman
 4,241,900 A 12/1980 Okuda
 D263,128 S 2/1982 Glover, Jr. et al.
 D272,670 S 2/1984 Tsujimura
 D284,417 S 6/1986 Yamagishi
 D285,855 S * 9/1986 Persson D34/31
 D286,934 S 11/1986 Hung
 D296,598 S 7/1988 Hung
 D332,337 S 1/1993 Wang
 D358,923 S 5/1995 Hawkins
 D388,926 S 1/1998 Sorensen
 D416,370 S * 11/1999 Hung D34/31
 D421,516 S 3/2000 Hung
 D423,750 S 4/2000 Hung
 D442,345 S * 5/2001 Lee D34/31
 D444,606 S 7/2001 Hsu
 D452,597 S 12/2001 Hung
 6,435,477 B2 8/2002 Brunnhoelzl
 6,505,816 B1 1/2003 Hung
 D480,196 S 9/2003 Hsu
 D482,838 S 11/2003 Tsai
 D485,412 S 1/2004 Hung
 6,722,634 B1 4/2004 Hsu
 6,848,673 B1 2/2005 McLaughlin, Sr.
 D514,768 S 2/2006 Ji
 7,036,796 B2 5/2006 Hsu
 7,036,797 B2 5/2006 Liu
 7,108,245 B2 9/2006 Lin
 D531,377 S 10/2006 Liu
 D538,502 S 3/2007 Hernandez
 D561,422 S 2/2008 Kuen
 7,334,774 B1 2/2008 Lin
 D564,725 S 3/2008 Caswell
 D582,623 S 12/2008 Qian et al.
 D590,121 S 4/2009 Shen
 7,588,341 B2 9/2009 Lin
 D604,025 S 11/2009 Lin
 7,637,479 B2 12/2009 Lautzenhiser
 7,845,614 B2 12/2010 Liu
 D646,453 S 10/2011 Zhou
 8,118,279 B2 2/2012 Lin
 8,366,074 B2 2/2013 Lin
 8,376,319 B2 2/2013 Chen et al.
 D682,501 S 5/2013 Shen et al.
 D688,845 S 8/2013 Hernandez et al.
 8,500,095 B1 8/2013 Salcedo
 8,608,131 B2 12/2013 Kania
 8,622,369 B2 1/2014 Kania
 8,845,263 B2 9/2014 Walsh
 D720,514 S 12/2014 Fox et al.
 D720,914 S 1/2015 Fox
 D720,915 S 1/2015 Fox
 D730,612 S 5/2015 James et al.
 9,701,524 B2 7/2017 Walsh
 D828,972 S 9/2018 Wu
 D940,988 S 1/2022 Andersen
 D952,284 S * 5/2022 Andersen D34/31
 2004/0065871 A1 4/2004 Hsu
 2006/0278857 A1 12/2006 Brocchini
 2006/0278858 A1 12/2006 Brocchini, Jr.
 2008/0111117 A1 5/2008 Wu

FOREIGN PATENT DOCUMENTS

CA ID30962 11/1968
 CA ID101063 5/2003
 CA ID150583 1/2014
 CN 03271938 1/2003
 CN 300893545 3/2009

CN 301294388 7/2010
 CN 202245915 5/2012
 CN 102765675 11/2012
 CN 304103126 4/2017
 GB 606294 8/1948

OTHER PUBLICATIONS

3½-Ton Extra-Low Service Jack; <https://www.mactools.com/en-us/Shop-Equipment/Jacks/JSA350LR/3-1-2-Ton-Extra-Low-Service-Jack>, downloaded Feb. 9, 2021, 3 pages.
 Jackco 3 Ton Low Profile Floor Jack (66300B); <https://tiresupplynetwork.com/products/jackco-66300b-3-ton-low-profile-floor-jack>; downloaded Feb. 11, 2021, 4 pages.
 HeinWerner 2-Ton; <http://heinwerner-automotive.com/ProductDetails/Hein-WernerAutomotive/2TonServiceJack/HW93642/522>; downloaded Feb. 11, 2021; 1 page.
 Pittsburgh Automotive 3 Ton Heavy Duty Ultra Low Profile Steel Floor Jack with Rapid Pump Quick Lift; https://www.google.com/shopping/product/2157288730203149697?q=Pittsburgh+Automotive+3+Ton+Heavy+Duty+Ultra+Low+Profile+Steel+Floor+Jack+with+R&prds=eto:18057317871259624158_0;10168886424154519413_0&sa=X&ved=0ahUKEwird6G7d_uAhWEG80KHacUBVcQ9pwGCA4; downloaded Feb. 11, 2021; 3 pages.
 Arcan Ultra Low Lift Point Service Jack Model LL-35; Dec. 4, 2002, 7 pages.
 CSESJS50A-3½ Ton “Big Blue Monster” Service Jack; <http://corporate.cornwelltools.com/webcat/products/CSESJ350A-%252d-3%252d1%7B47%7D2-Ton-%E2%80%9DBig-Blue-Monster%E2%80%9D-Service-Jack.html>, downloaded Feb. 9, 2021, 1 page.
 Performance Tool W1627 3.5 Ton Capacity Low Profile Service Jack; <https://www.amazon.com/Performance-Tool-W1627-Capacity-Profile/dp/B008PAZ7VY>, downloaded Feb. 9, 2021, 11 pages.
 Daytona 3 Ton Super Duty Floor Jack DJ3000 Owner’s Manual, 12 pages.
 Australian Examination Report for Application No. 201916889 dated Nov. 2, 2020, 5 pages.
 Australian Examination Report for Application No. 201916889 dated Dec. 10, 2020, 5 pages.
 Australian Examination Report No. 1 for Application No. 201916889 dated Jul. 6, 2020, 4 pages.
 Taiwan Office Action for Application No. 109300731 dated Jul. 20, 2020, 3 pages.
 Taiwan Office Action for Application No. 109300732 dated Jul. 20, 2020, 3 pages.
 Taiwan Office Action for Application No. 109300729 dated Jul. 20, 2020, 3 pages.
 Taiwan Office Action for Application No. 109300730 dated Jul. 20, 2020, 3 pages.
 Chinese Office Action for Application No. 202030024577.2 dated May 9, 2020, 1 page.
 Canadian Office Action for corresponding Canadian Application No. 191590 dated May 14, 2021, 3 pages.
 Snap On, announced 2021 [online], [site visited Dec. 10, 2021]. Available from internet, URL: <https://shop.snapon.com/product/Lightweight-Aluminum-Service-Jacks/1.75-Ton-Aluminum-High-Performance-Floor-Jack/FJ175> (Year: 2021).
 Redline, announced 2021 [online], [site visited Dec. 10, 2021]. Available from internet, URL: https://www.redlinestands.com/catalog/shop-equipment-c-327/automotive-c-327_328/racing-floor-jacks-c-327_328_353/redline-15-ton-double-piston-racing-aluminum-floor-jack-p-2944 (Year: 2021).
 Global Industries, announced 2021 [online], [site visited Dec. 10, 2021]. Available from internet, URL: <https://www.globalindustrial.com/p/vehicle-fleet-maintenance/automotive-service-jacks-lift/vehicle-hydraulic-jacks/3-ton-aluminum-service-jack-xd-kti63099> (Year: 2021).

* cited by examiner

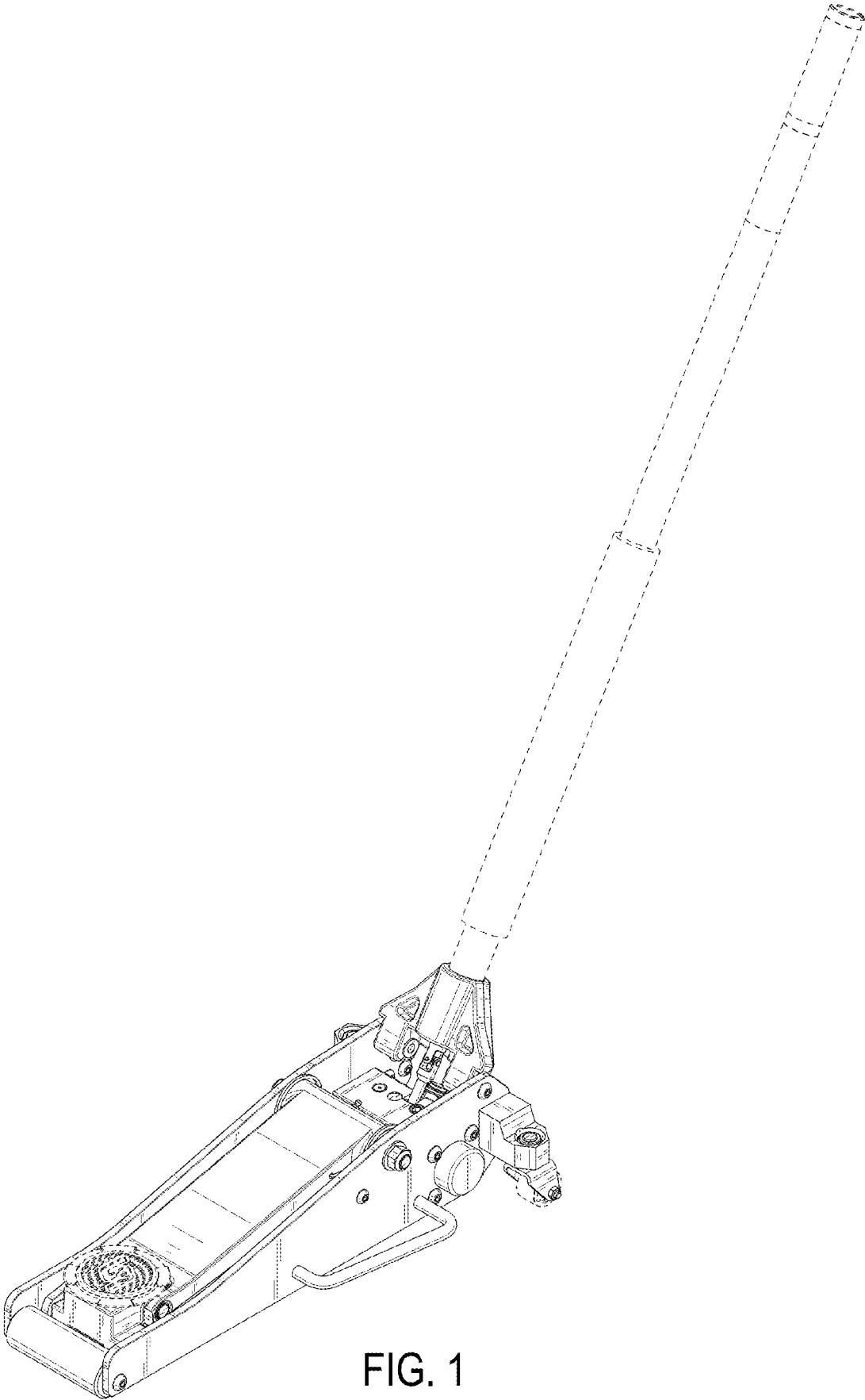


FIG. 1

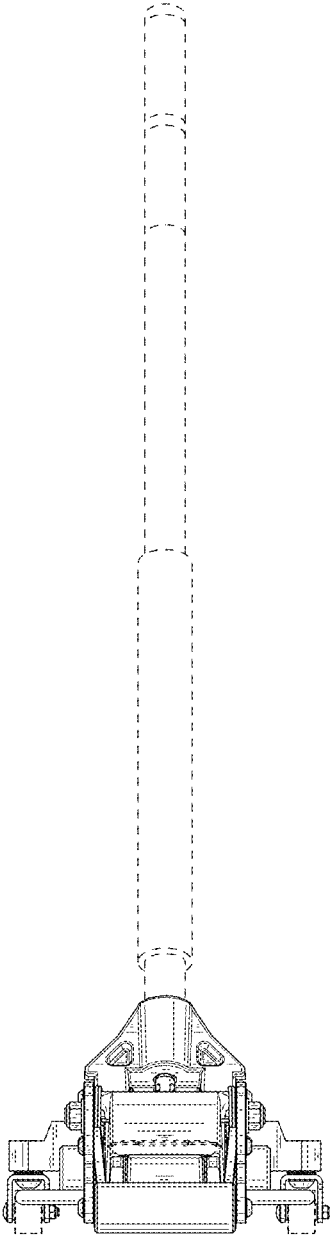


FIG. 2

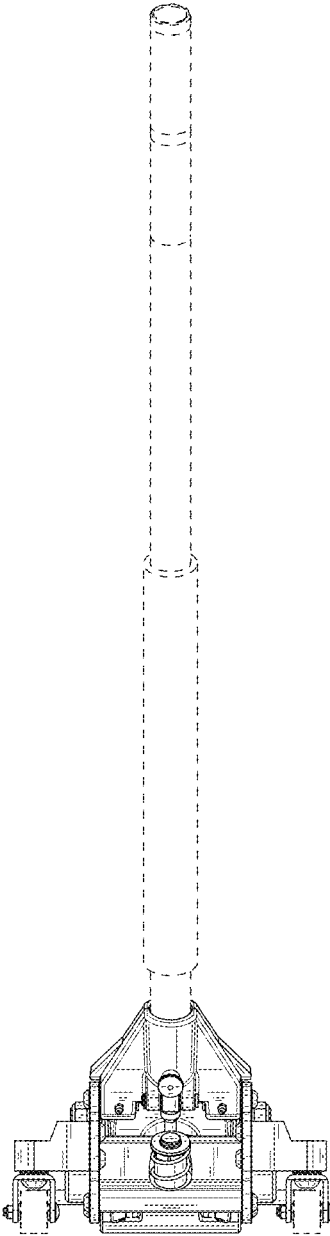


FIG. 3

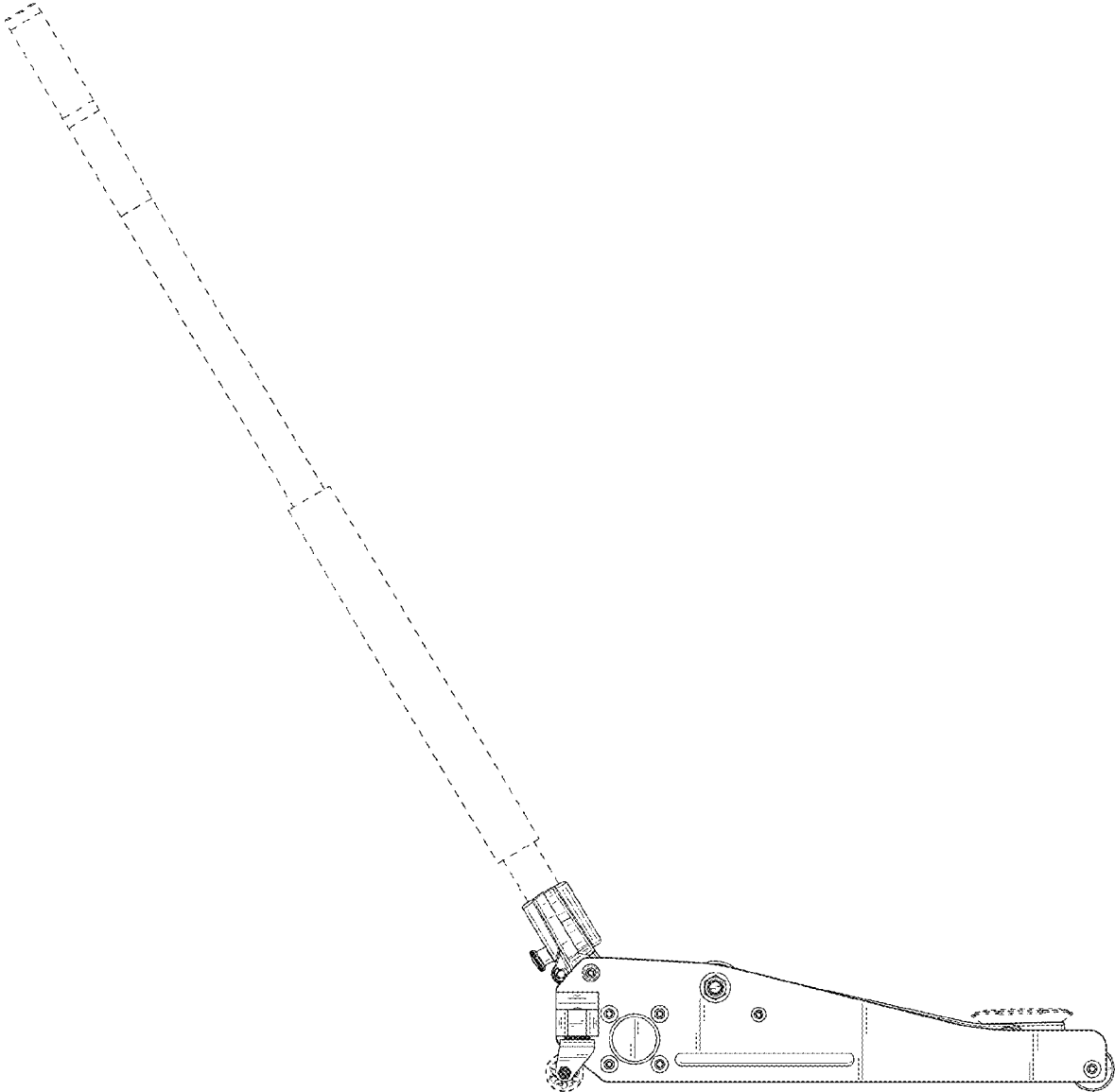


FIG. 4

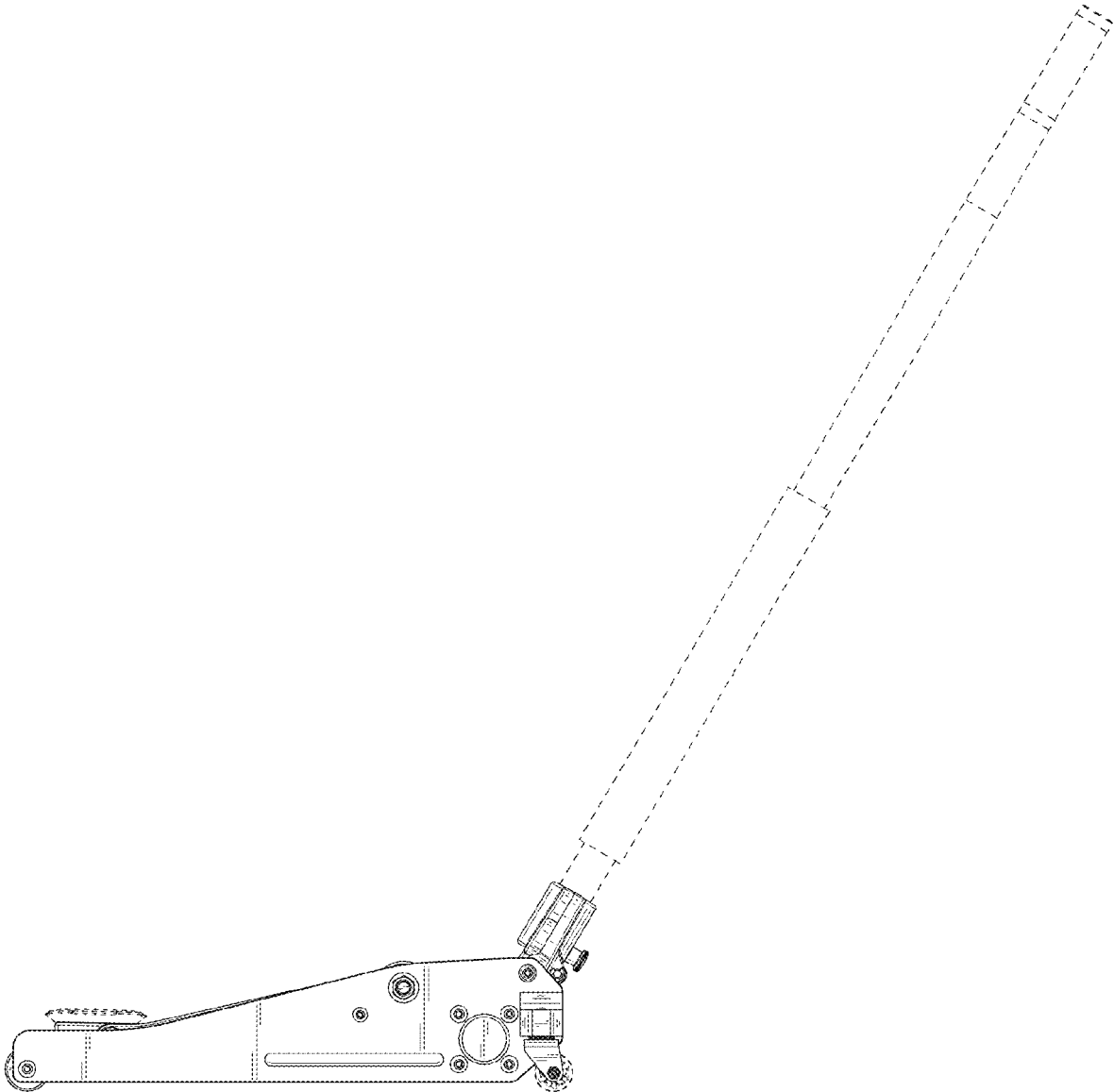


FIG. 5

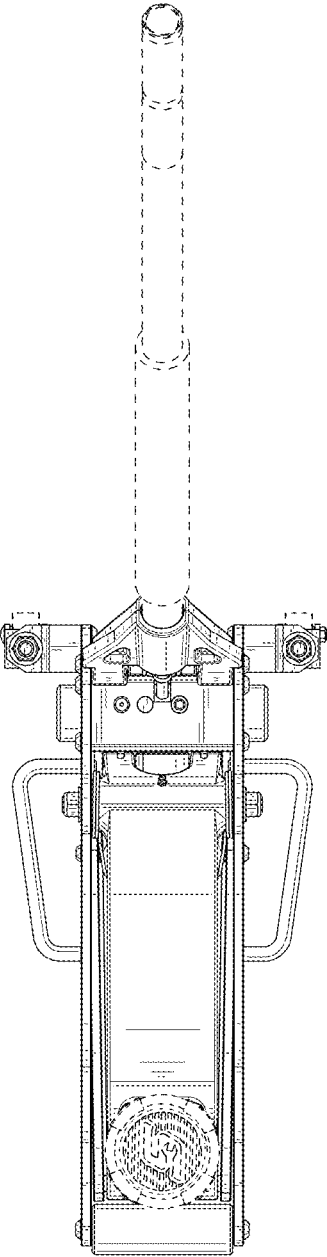


FIG. 6

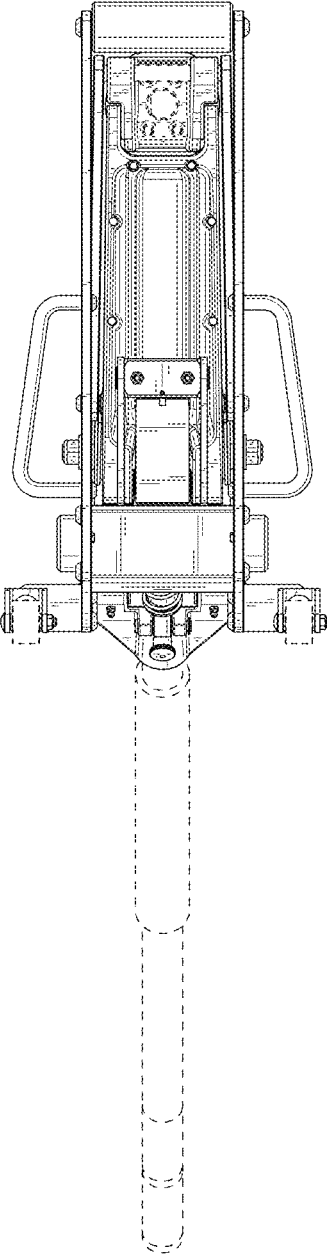


FIG. 7

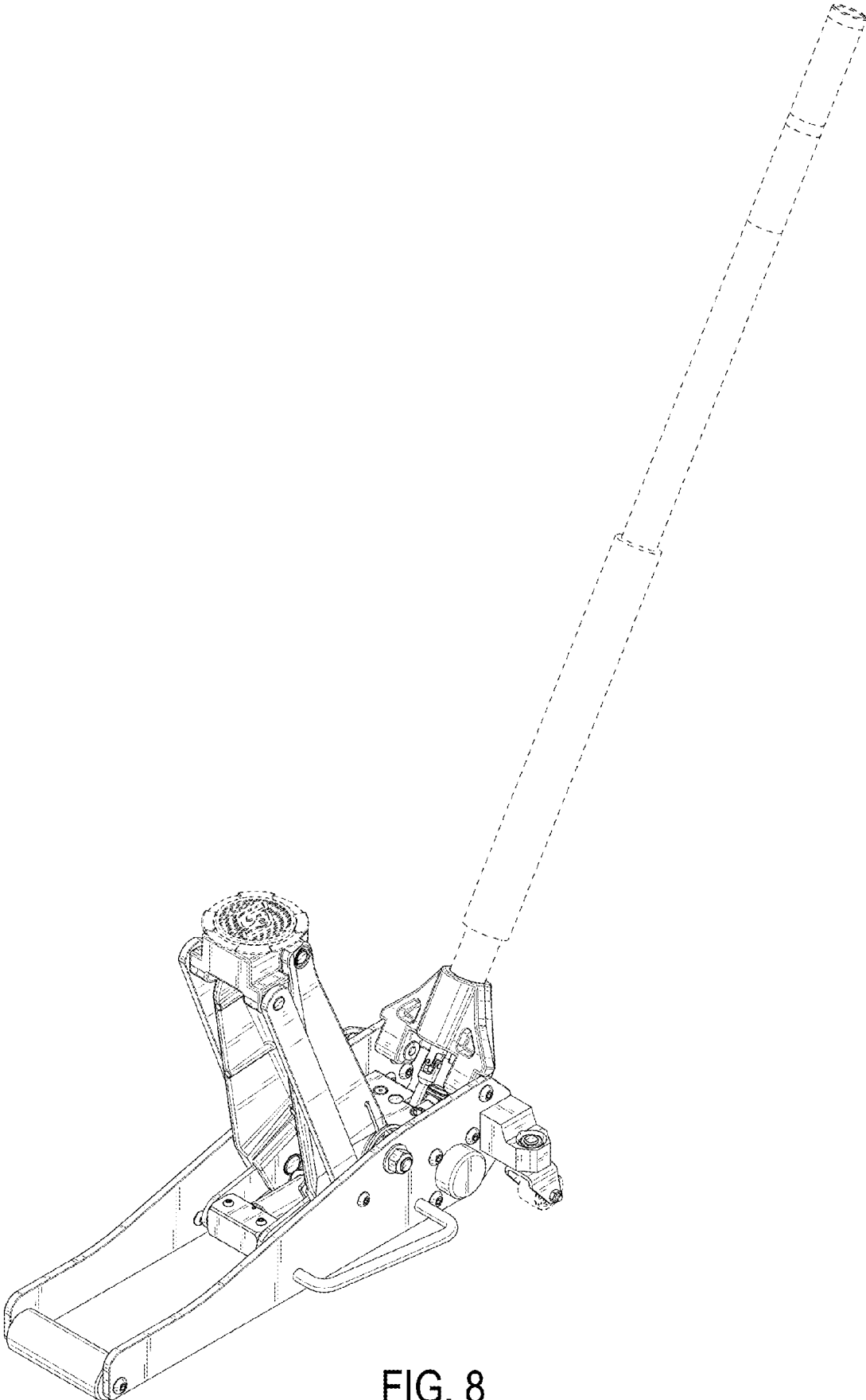


FIG. 8

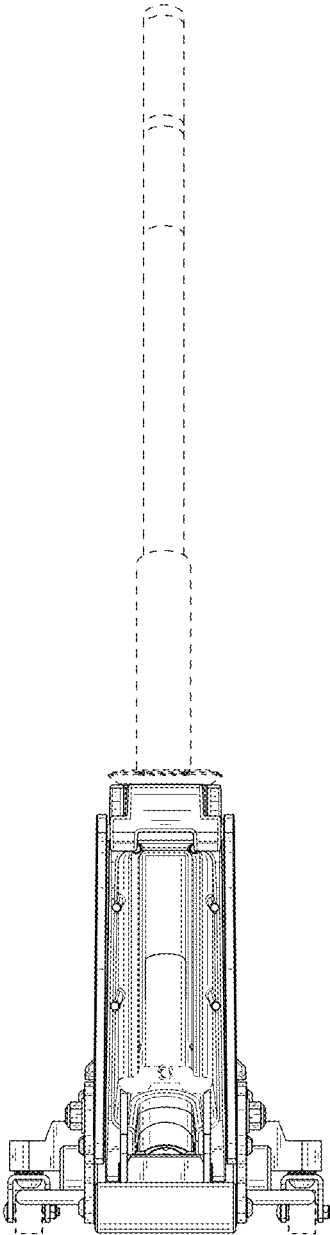


FIG. 9

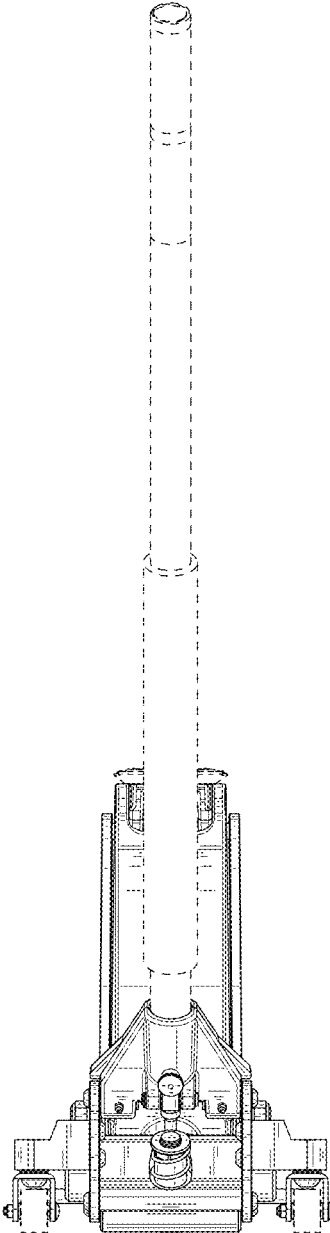


FIG. 10

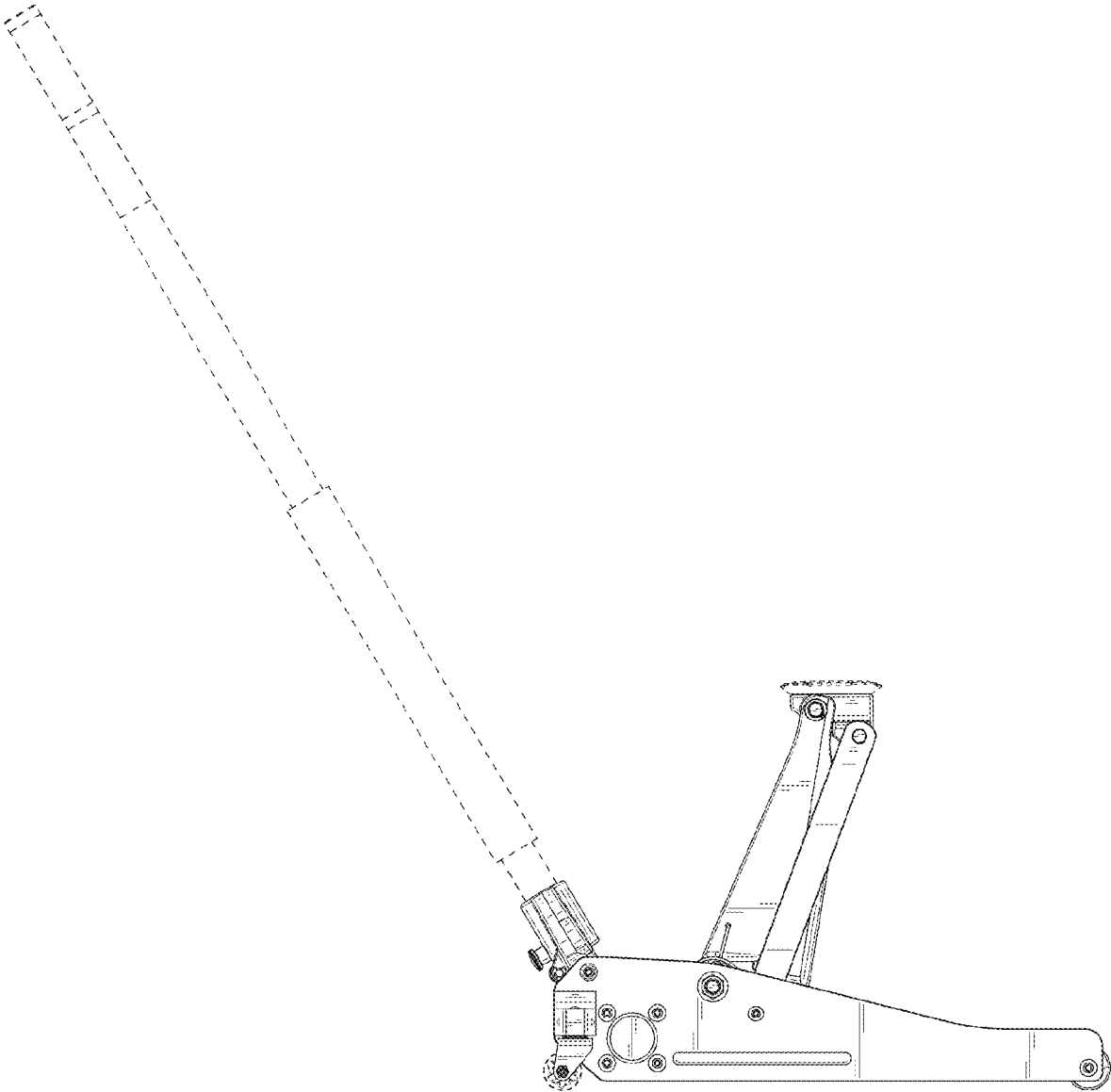


FIG. 11

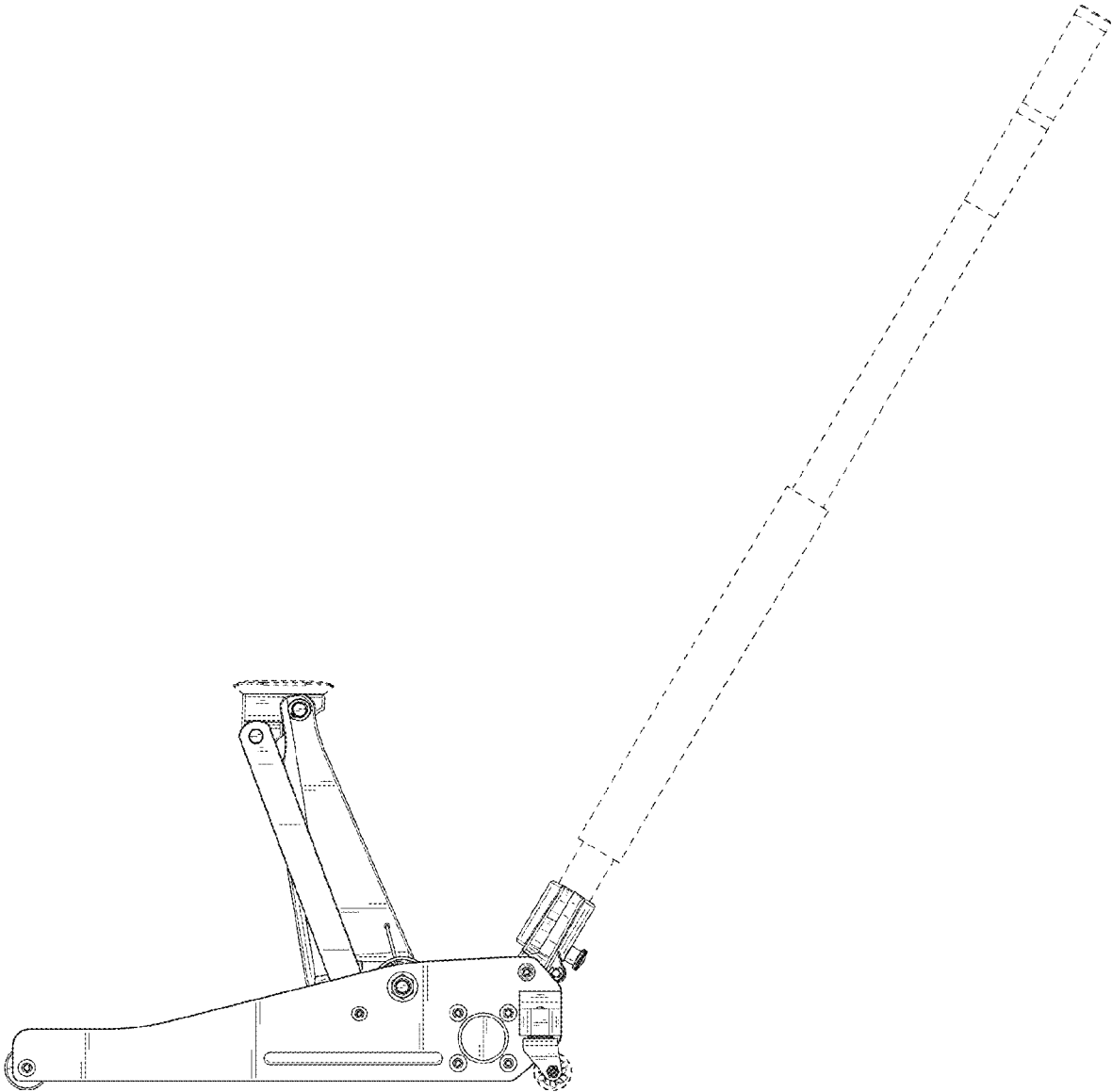


FIG. 12

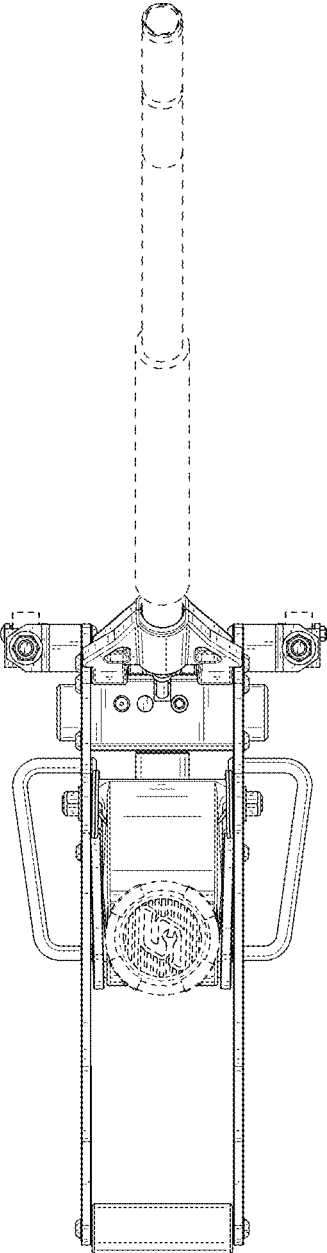


FIG. 13

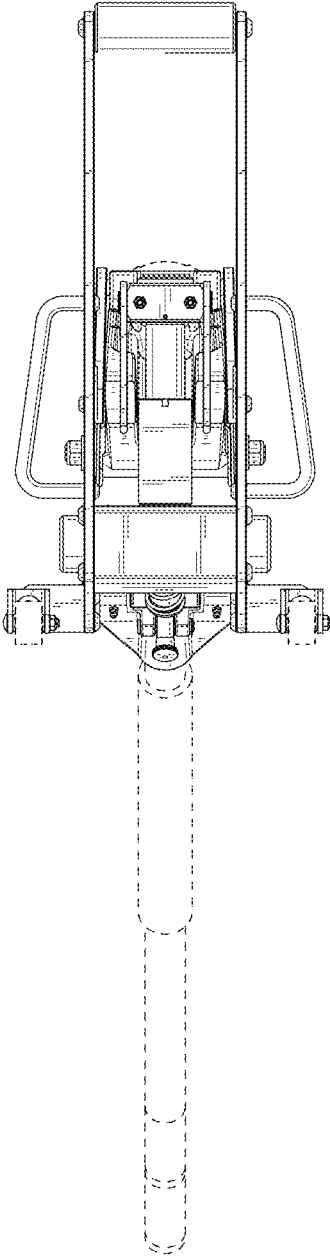


FIG. 14