



US00D823821S

(12) **United States Design Patent**  
**Kim et al.**

(10) **Patent No.:** **US D823,821 S**

(45) **Date of Patent:** **\*\* Jul. 24, 2018**

(54) **AUDIO VISUAL BOX FOR TV RECEIVER**

(71) Applicant: **LG ELECTRONICS INC.**, Seoul (KR)

(72) Inventors: **Yooseok Kim**, Seoul (KR); **Sunha Park**, Seoul (KR); **Younsoo Kim**, Seoul (KR); **Byungmu Huh**, Seoul (KR)

(73) Assignee: **LG ELECTRONICS INC.**, Seoul (KR)

(\*\*) Term: **15 Years**

(21) Appl. No.: **35/503,142**

(22) Filed: **Dec. 12, 2016**

(80) **Hague Agreement Data**

Int. Filing Date: **Dec. 12, 2016**  
Int. Reg. No.: **DM/093949**  
Int. Reg. Date: **Dec. 12, 2016**  
Int. Reg. Pub. Date: **Jun. 16, 2017**

(30) **Foreign Application Priority Data**

Jun. 14, 2016 (KR) ..... 30-2016-0028736

(51) **LOC (11) Cl.** ..... **14-03**

(52) **U.S. Cl.**  
USPC ..... **D14/125**

(58) **Field of Classification Search**  
USPC ..... D14/125, 172, 194, 357-358, 496, 188,  
D14/204, 221, 242, 432; D13/184  
CPC ..... H05K 5/02; H05K 5/03; G06F 1/16  
See application file for complete search history.

(56) **References Cited**

**U.S. PATENT DOCUMENTS**

D578,997 S \* 10/2008 Takuma ..... D14/172  
D672,749 S \* 12/2012 Onoue ..... D14/214  
D676,829 S \* 2/2013 Kaneko ..... D14/204  
D685,349 S \* 7/2013 Ohno ..... D14/221

D721,352 S \* 1/2015 Kusano ..... D14/204  
D754,629 S \* 4/2016 Kim ..... D14/204  
D759,624 S \* 6/2016 Byrd ..... D14/204  
D759,629 S \* 6/2016 Kusano ..... D14/214  
D760,685 S \* 7/2016 Sugiura ..... D14/204  
D765,054 S \* 8/2016 Bast ..... D14/204  
D782,444 S \* 3/2017 Koo ..... D14/214  
D788,062 S \* 5/2017 Norrell ..... D13/139.4  
D815,609 S \* 4/2018 Moreno ..... D14/125

\* cited by examiner

*Primary Examiner* — Michael Aaron Pratt

(74) *Attorney, Agent, or Firm* — Birch, Stewart, Kolasch & Birch, LLP

(57) **CLAIM**

The ornamental design for an audio visual box for TV receiver, as shown and described.

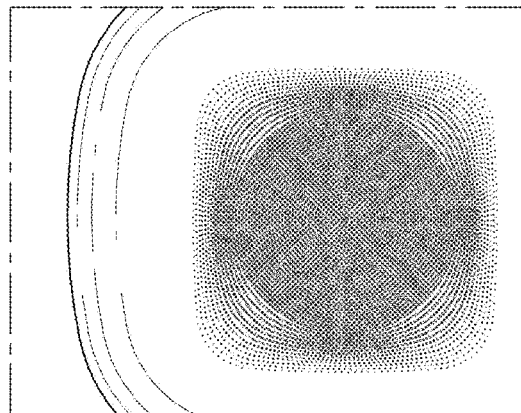
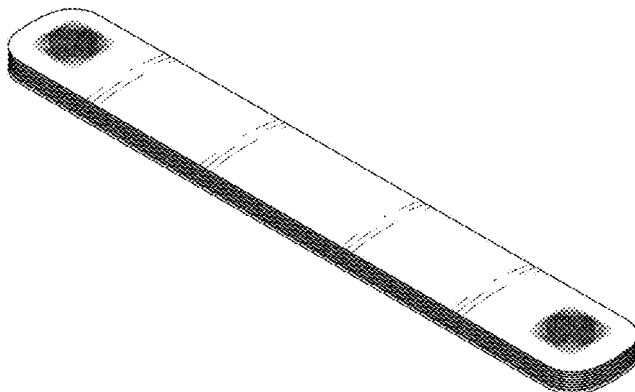
**DESCRIPTION**

1. Audio visual box for TV receiver

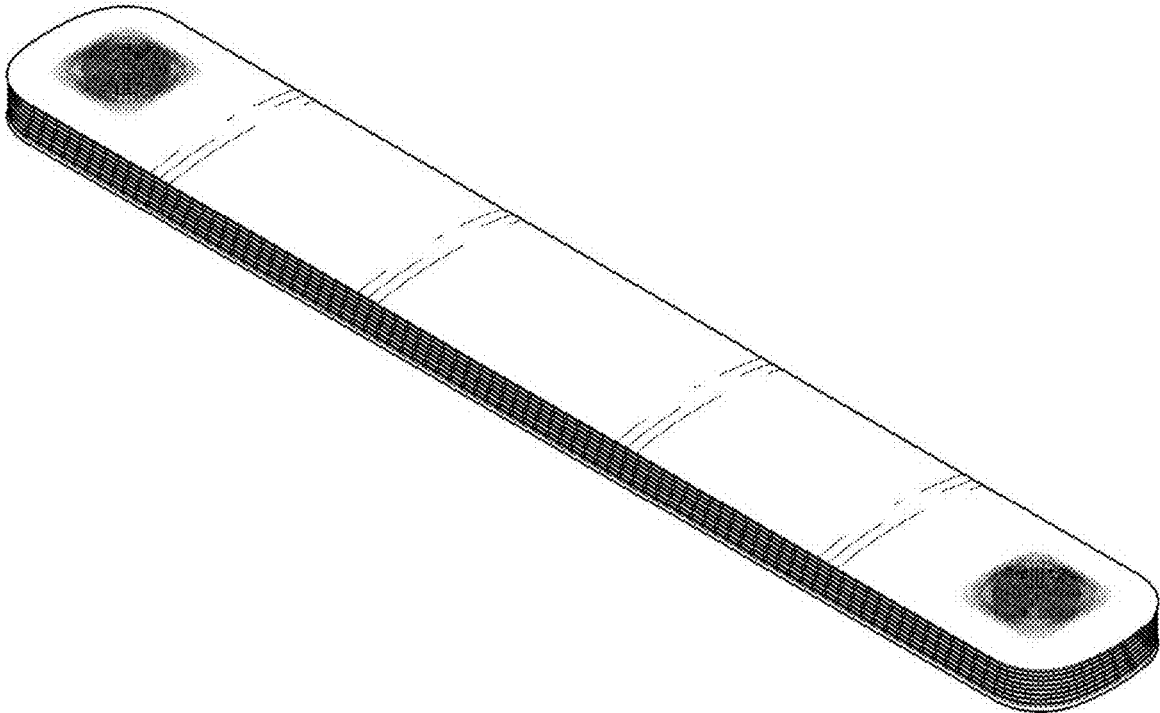
- 1.1 : Perspective
- 1.2 : Front
- 1.3 : Back
- 1.4 : Left
- 1.5 : Right
- 1.6 : Top
- 1.7 : Bottom
- 1.8 : Enlarged

The gist of the present ornamental design is a combination of shape and pattern of an audio visual box for TV receiver, as shown and described.

**1 Claim, 8 Drawing Sheets**



1.1



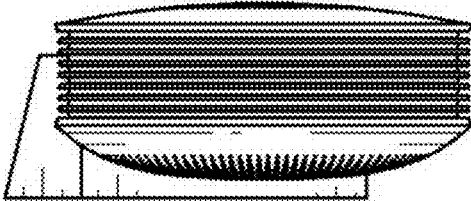
1.2



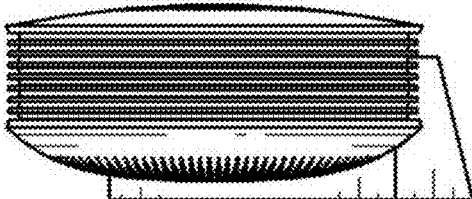
1.3



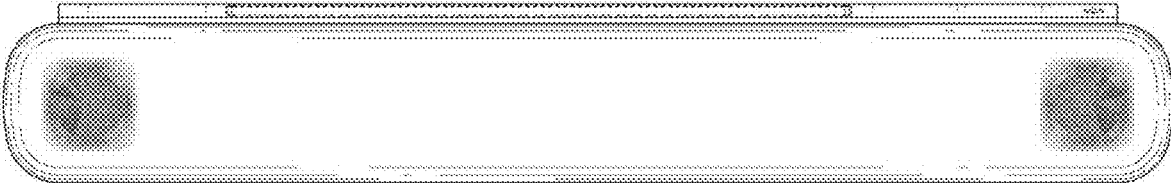
1.4



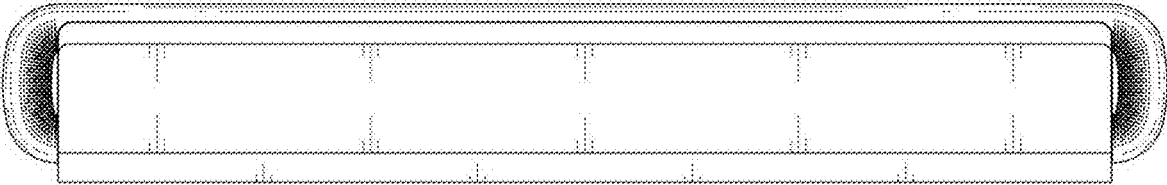
1.5



1.6



1.7





1.8

