

# United States Patent [19]

Dyer

[11] Patent Number: Des. 300,487

[45] Date of Patent: \*\* Apr. 4, 1989

[54] CABINET

[75] Inventor: David C. Dyer, Enfield, England

[73] Assignee: Ultimate Swivel Systems Limited,  
Hertfordshire, England

[\*\*] Term: 14 Years

[21] Appl. No.: 840,284

[22] Filed: Mar. 14, 1986

[30] Foreign Application Priority Data

Sep. 24, 1985 [GB] United Kingdom ..... 1029456

Dec. 31, 1985 [GB] United Kingdom ..... 1031351

[52] U.S. Cl. .... D6/446; D34/19

[58] Field of Search ..... D6/432, 445, 446, 448,  
D6/481, 484, 561; 312/114, 264; D34/17, 23,  
19

[56] References Cited

## U.S. PATENT DOCUMENTS

D. 146,861 6/1947 Kneeland ..... D6/446 X

D. 239,225 3/1976 Schweitzer ..... D6/561  
D. 240,377 7/1976 Goulder ..... D6/484 X  
D. 252,063 6/1979 Montague ..... D6/484  
D. 253,863 1/1980 Kurtz ..... D6/561  
3,240,545 3/1966 Rulf ..... 312/264

Primary Examiner—Carmen H. Vales  
Attorney, Agent, or Firm—Seidel, Gonda, Lavorgna &  
Monaco

[57] CLAIM

The ornamental design for a cabinet, as shown and described.

## DESCRIPTION

FIG. 1 is a front perspective view of a cabinet showing my new design;  
FIG. 2 is a right side elevational view thereof;  
FIG. 3 is a rear elevational view thereof;  
FIG. 4 is a front perspective view of a modified form of the cabinet shown in FIG. 1;  
FIG. 5 is a right side elevational view thereof; and  
FIG. 6 is a rear elevational view thereof.

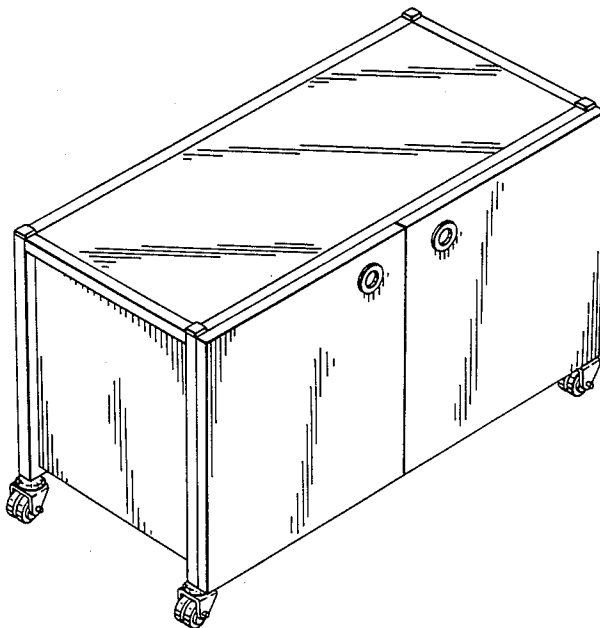


FIG. 1.

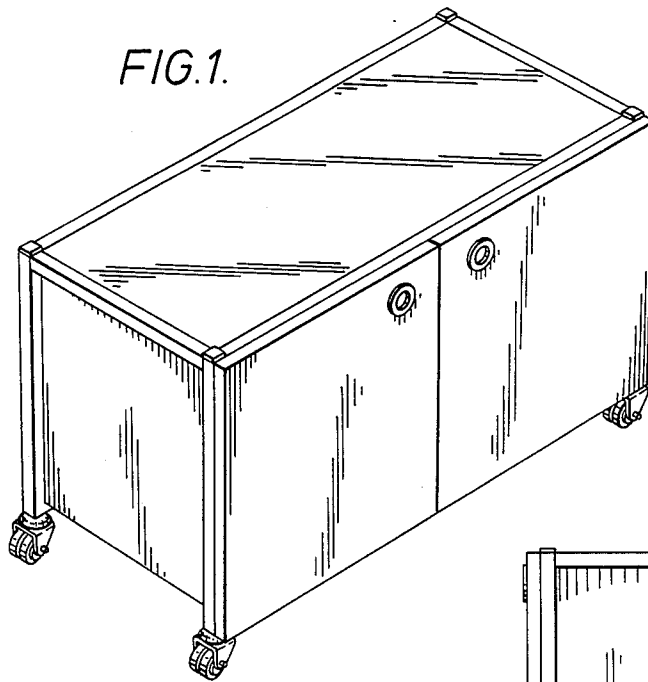


FIG. 2.

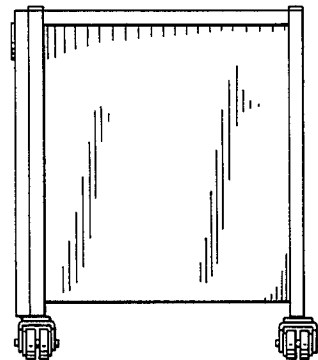


FIG. 3.

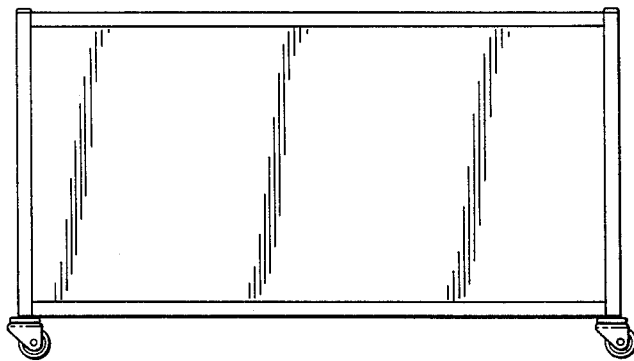


FIG. 4.

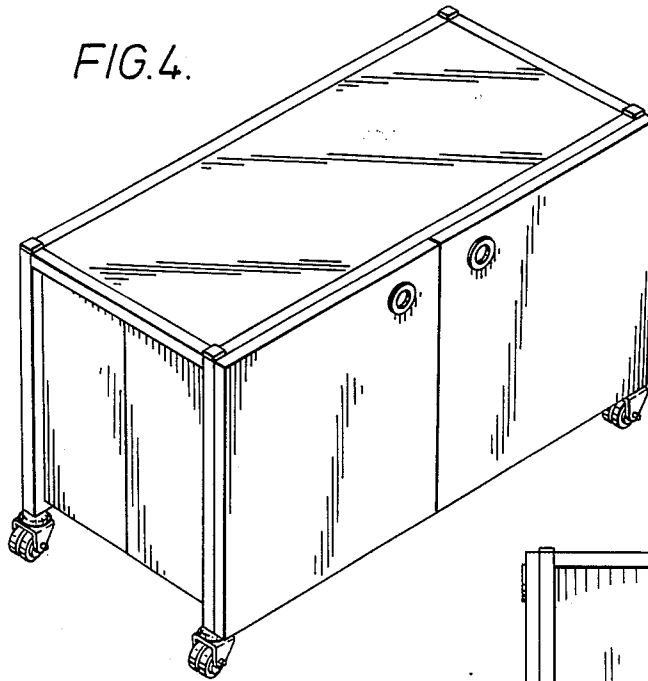


FIG. 5.

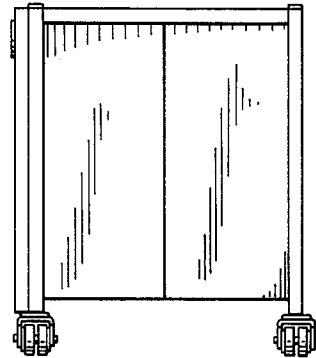


FIG. 6.

