



(12) **United States Design Patent**
Stewart et al.

(10) **Patent No.:** **US D747,453 S**
(45) **Date of Patent:** **** Jan. 12, 2016**

(54) **FAN**

(71) Applicant: **Dyson Technology Limited**, Wiltshire (GB)

(72) Inventors: **Neil Andrew Stewart**, Swindon (GB);
Joseph Eric Hodgetts, Bristol (GB);
Leanne Joyce Garner, Bristol (GB);
Peter David Gammack, Swindon (GB);
Alexander Mackenzie Burn, Bristol (GB)

(73) Assignee: **Dyson Technology Limited**, Malmesbury, Wiltshire (GB)

(**) Term: **14 Years**

(21) Appl. No.: **29/495,917**

(22) Filed: **Jul. 7, 2014**

(30) **Foreign Application Priority Data**

Jan. 9, 2014 (EM) 001398143-0001

(51) **LOC (10) Cl.** **23-04**

(52) **U.S. Cl.**
USPC **D23/385**; D23/370; D23/383

(58) **Field of Classification Search**
USPC D23/377, 370-376, 378-394, 411-414, D23/499, 336, 342, 13; D12/214, 305, 319, D12/339, 344, 345; 416/5, 170 R, 214 R, 416/184, 206, 207, 210 R, 220 R, 244 R, 416/248, 223 R, 234, 242; 417/84, 423.1, 417/423.14; D6/309; D26/59, 72, 79, 124
CPC F04D 25/088; F04D 25/08; F04D 25/16; F04D 29/322; F04D 29/324; F04D 29/388; F04D 29/403; F04D 29/601; F04F 5/16

See application file for complete search history.

(56) **References Cited**

U.S. PATENT DOCUMENTS

D45,539 S * 3/1914 Meyers D26/90
2,488,467 A 11/1949 De Lisio
2,583,374 A 1/1952 Hoffman
3,099,965 A 8/1963 Regenscheit

(Continued)

FOREIGN PATENT DOCUMENTS

CN 101016910 8/2007
CN 101424278 5/2009

(Continued)

OTHER PUBLICATIONS

The Coanda Ceiling Fan. competition.adesignaward.com [online] 5 pages. Feb. 27, 2014 [retrieved on Aug. 18, 2015]. Retrieved from Internet: <https://competition.adesignaward.com/design.php?ID=33667>.*

(Continued)

Primary Examiner — Susan Bennett Hattan

Assistant Examiner — Marie Fast Horse

(74) *Attorney, Agent, or Firm* — Morrison & Foerster LLP

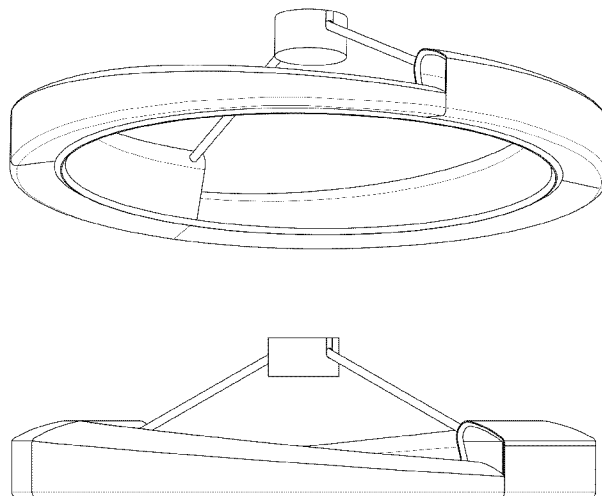
(57) **CLAIM**

We claim the ornamental design for a fan, as shown and described.

DESCRIPTION

FIG. 1 is a perspective view of a fan showing our new design;
FIG. 2 is a front view thereof;
FIG. 3 is a rear view thereof;
FIG. 4 is a side view thereof;
FIG. 5 is a side view of the opposite side of FIG. 4;
FIG. 6 is a top view thereof; and,
FIG. 7 is a bottom view thereof.

1 Claim, 5 Drawing Sheets



(56)

References Cited

U.S. PATENT DOCUMENTS

3,270,655 A 9/1966 Guirl et al.
 3,599,699 A * 8/1971 Middleton, Jr. 157/1.21
 3,795,367 A 3/1974 Mocarski
 5,156,524 A * 10/1992 Forni 415/182.1
 5,522,704 A 6/1996 Casteel
 5,881,685 A 3/1999 Foss et al.
 5,913,334 A 6/1999 Hyun
 6,123,618 A 9/2000 Day
 6,131,863 A * 10/2000 Fiacco 248/200
 6,193,384 B1 * 2/2001 Stein 362/96
 6,379,113 B1 4/2002 Kim
 7,507,074 B2 3/2009 Munshi et al.
 D590,982 S * 4/2009 Benensohn D26/79
 D605,333 S * 12/2009 Miranda D26/88
 D621,087 S * 8/2010 Nagane et al. D26/88
 D652,133 S * 1/2012 Hiner et al. D23/377
 8,128,057 B2 3/2012 Swinford
 8,152,453 B2 4/2012 Oleson
 D671,676 S * 11/2012 Komarov et al. D26/124
 D676,543 S * 2/2013 Hiner et al. D23/377
 D676,952 S * 2/2013 Hiner D23/377
 D689,648 S * 9/2013 Silver D26/88
 D698,914 S * 2/2014 Love et al. D23/377
 D698,983 S * 2/2014 Rampolla et al. D26/90
 D715,904 S * 10/2014 Tate et al. D23/414
 9,011,116 B2 * 4/2015 Li 417/423.14
 2005/0092888 A1 5/2005 Gonce
 2007/0166179 A1 7/2007 Pace
 2007/0183899 A1 8/2007 Munshi et al.
 2008/0296459 A1 12/2008 Frampton et al.
 2009/0060710 A1 3/2009 Gammack et al.
 2009/0060711 A1 3/2009 Gammack et al.
 2009/0072108 A1 3/2009 Oleson
 2010/0225012 A1 * 9/2010 Fitton et al. 261/116
 2010/0226764 A1 * 9/2010 Gammack et al. 415/182.1
 2010/0226787 A1 * 9/2010 Gammack et al. 416/246
 2010/0254800 A1 * 10/2010 Fitton et al. 415/90
 2011/0110805 A1 * 5/2011 Gammack et al. 417/423.1
 2012/0093629 A1 * 4/2012 Fitton et al. 415/90
 2012/0163972 A1 6/2012 Dyson et al.
 2012/0163977 A1 6/2012 Nicolas et al.
 2013/0017104 A1 1/2013 Stewart et al.
 2013/0017105 A1 1/2013 Stewart et al.
 2013/0017106 A1 1/2013 Stewart et al.
 2013/0142676 A1 * 6/2013 Zou 417/313
 2013/0280051 A1 * 10/2013 Nicolas et al. 415/182.1
 2013/0280061 A1 * 10/2013 Stickney 415/211.2
 2013/0302146 A1 11/2013 Dyson et al.
 2013/0320574 A1 * 12/2013 Sickinger et al. 261/141
 2013/0336771 A1 12/2013 Dyson et al.
 2014/0199185 A1 7/2014 Nicolas et al.
 2014/0199186 A1 7/2014 Nicolas et al.

FOREIGN PATENT DOCUMENTS

CN 101713414 5/2010
 CN 101842036 9/2010

CN 101852214 10/2010
 CN 201627736 11/2010
 CN 101936310 1/2011
 CN 102003420 4/2011
 CN 201874898 6/2011
 CN 201884344 6/2011
 CN 202165333 3/2012
 CN 202381366 8/2012
 CN 202646062 1/2013
 DE 880 923 10/1952
 DE 1 291 090 3/1969
 DE 20 2012 002 443 6/2012
 EP 0 772 007 5/1997
 GB 1065644 4/1967
 GB 1 447 523 8/1976
 GB 2 049 161 12/1980
 GB 2 452 490 3/2009
 GB 2 452 593 3/2009
 GB 2464736 4/2010
 GB 2468312 9/2010
 GB 2468313 9/2010
 GB 2468314 9/2010
 GB 2468324 9/2010
 GB 2468498 9/2010
 GB 2492962 1/2013
 JP 35-4369 3/1960
 JP 56-167897 12/1981
 JP 63-79492 5/1988
 JP 63-150234 10/1988
 JP 64-21300 2/1989
 JP 3-156232 7/1991
 JP 7-190443 7/1995
 JP 11-5631 1/1999
 JP D1195474 * 1/2004
 JP 2009-62986 3/2009
 JP 2009-209934 9/2009
 JP 2010-138906 6/2010
 JP 2010-203449 9/2010
 JP 2010-203454 9/2010
 JP 2012-132460 7/2012
 WO WO-2009/038988 3/2009
 WO WO-2009/074834 6/2009
 WO WO-2010/100462 9/2010

OTHER PUBLICATIONS

Dyson et al., U.S. Office Action mailed Aug. 29, 2014, directed to U.S. Appl. No. 13/327,149; 15 pages.
 Nicolas et al., U.S. Office Action mailed Aug. 28, 2014, directed to U.S. Appl. No. 13/327,151; 12 pages.
 Stewart et al., U.S. Office Action mailed Sep. 11, 2014, directed to U.S. Appl. No. 13/547,736; 10 pages.
 Stewart et al., U.S. Office Action mailed Sep. 4, 2014, directed to U.S. Appl. No. 13/547,794; 14 pages.
 Stewart et al., U.S. Office Action mailed Aug. 12, 2014, directed to U.S. Appl. No. 13/547,749; 10 pages.

* cited by examiner

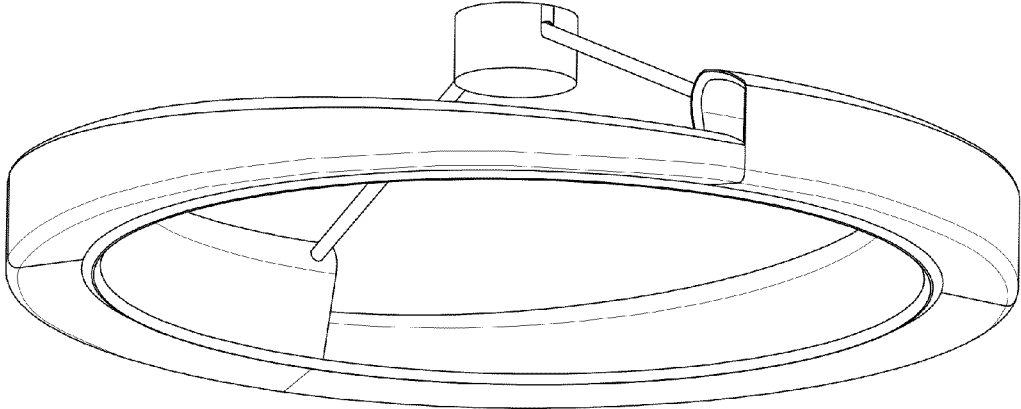


FIG. 1

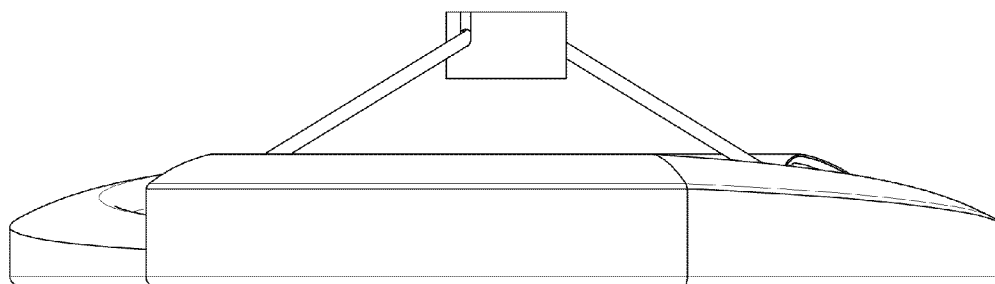


FIG. 2

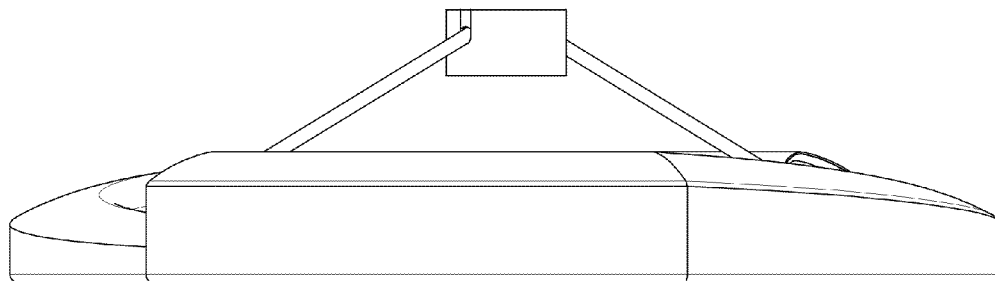


FIG. 3

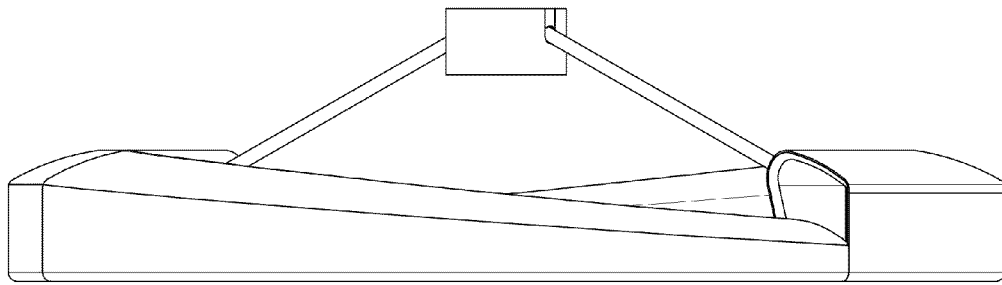


FIG. 4

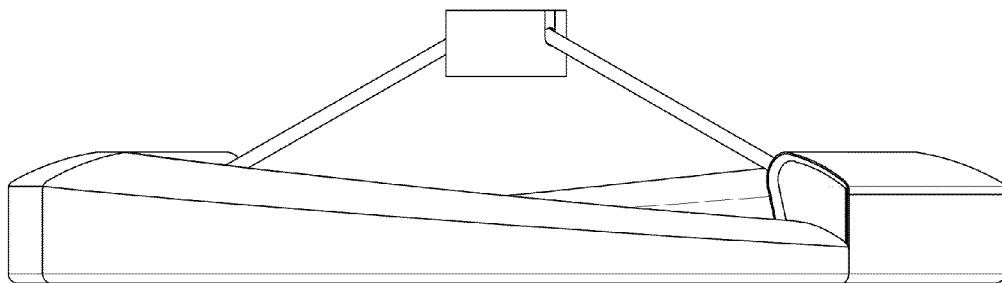


FIG. 5

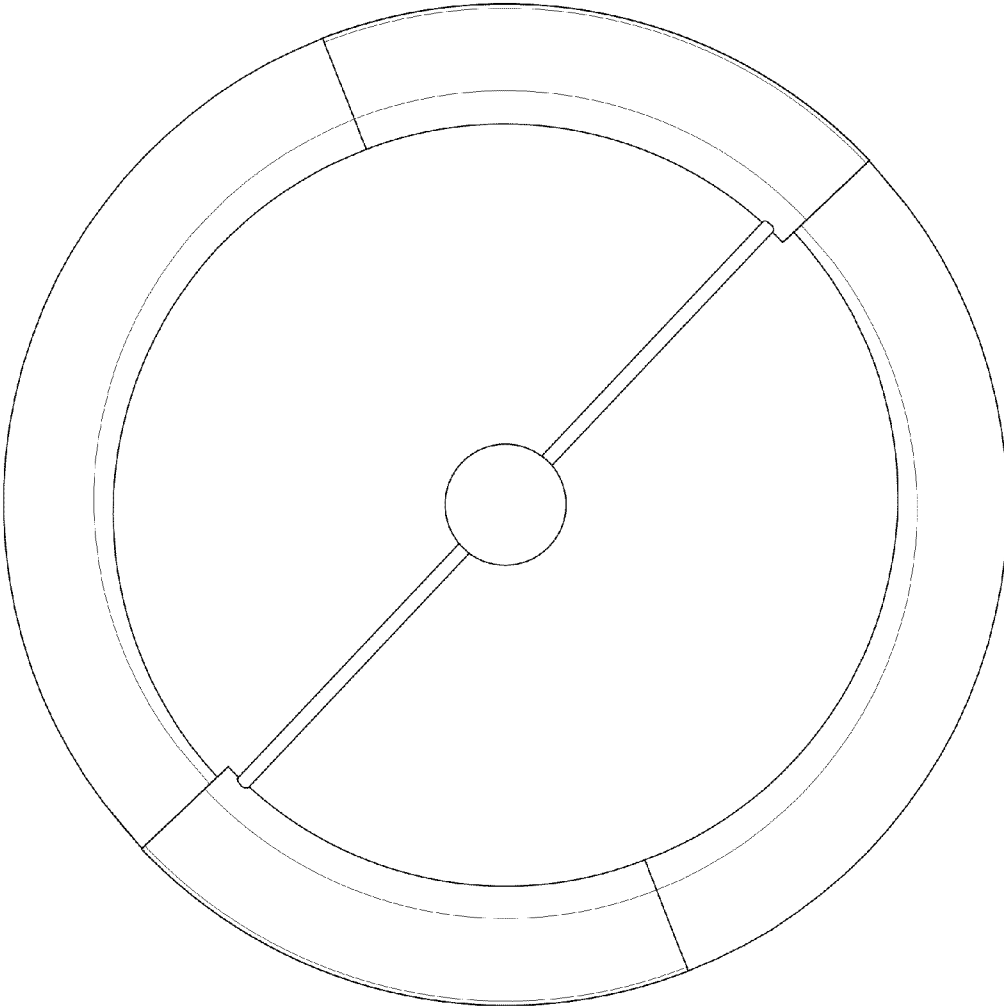


FIG. 6

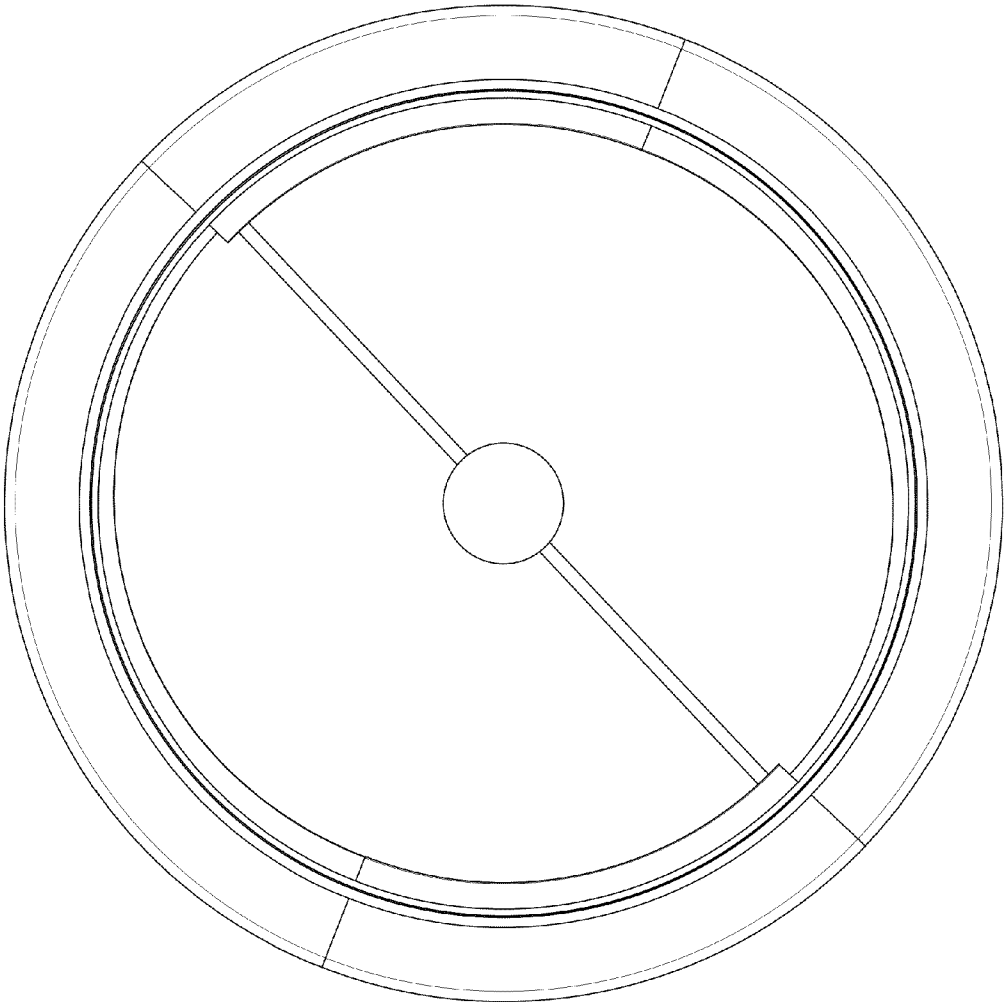


FIG. 7