



US00D804834S

(12) **United States Design Patent**
Kanhasamy

(10) **Patent No.:** **US D804,834 S**

(45) **Date of Patent:** **** Dec. 12, 2017**

(54) **DAYBED**

(71) Applicant: **Abedan Kanhasamy**, Mississauga (CA)

(72) Inventor: **Abedan Kanhasamy**, Mississauga (CA)

(**) Term: **15 Years**

(21) Appl. No.: **29/565,041**

(22) Filed: **May 17, 2016**

(51) **LOC (10) Cl.** **06-01**

(52) **U.S. Cl.**
USPC **D6/335**; D6/381

(58) **Field of Classification Search**
USPC D6/334, 335, 336, 338, 342, 360, 367, D6/368, 369, 371-375, 377, 378, 381
CPC A47D 11/005; A47C 4/02; A47C 17/04; A47C 17/045; A47C 17/12; A47C 17/13; A47C 17/16; A47C 17/22; A47C 17/32
See application file for complete search history.

(56) **References Cited**

U.S. PATENT DOCUMENTS

D444,305 S *	7/2001	Mourgue	D6/335
D498,075 S *	11/2004	Mourgue	D6/335
D603,618 S *	11/2009	Weiss	D6/381
D603,619 S *	11/2009	Weiss	D6/381
D604,957 S *	12/2009	Weiss	D6/381
D610,366 S *	2/2010	Kanhasamy	D6/381
D615,315 S *	5/2010	Andersen	D6/367
D616,214 S *	5/2010	Andersen	D6/367
D635,793 S *	4/2011	Kanhasamy	D6/381
D635,794 S *	4/2011	Kanhasamy	D6/381
D639,084 S *	6/2011	Andersen	D6/381
D642,820 S *	8/2011	Andersen	D6/381
D652,225 S *	1/2012	Andersen	D6/373
D652,226 S *	1/2012	Andersen	D6/373

RE43,754 E *	10/2012	Andersen	D6/381
D675,460 S *	2/2013	Kanhasamy	D6/381
D676,680 S *	2/2013	Arko	D6/334
D677,070 S *	3/2013	Kanhasamy	D6/381
D677,071 S *	3/2013	Kanhasamy	D6/381
D686,003 S *	7/2013	Arko	D6/334
D718,552 S *	12/2014	Kanhasamy	D6/381
D719,755 S *	12/2014	Kanhasamy	D6/381
D719,756 S *	12/2014	Sonmez	D6/381
D721,242 S *	1/2015	Sonmez	D6/381
D730,656 S *	6/2015	Urquiola	D6/381
D775,848 S *	1/2017	Bettin	D6/381

* cited by examiner

Primary Examiner — Deanna L Pratt

(74) *Attorney, Agent, or Firm* — Vierra Magen Marcus LLP

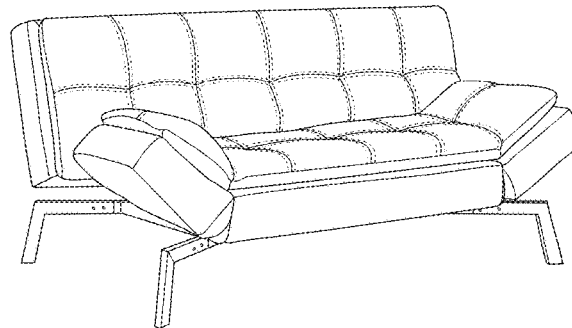
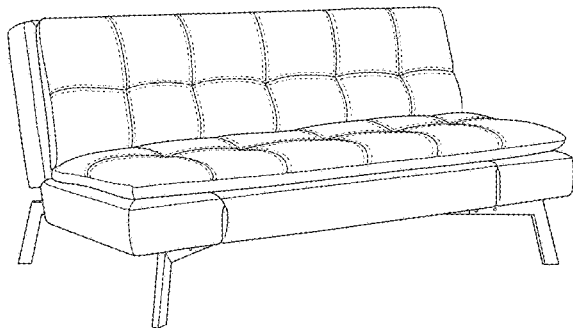
(57) **CLAIM**

The ornamental design of a daybed, as shown and described.

DESCRIPTION

FIG. 1 is a front view of a new design of a daybed;
 FIG. 2 are left and right side views of the daybed;
 FIG. 3 is a back view of the daybed;
 FIG. 4 is a top view of the daybed;
 FIG. 5 is a bottom view of the daybed;
 FIG. 6 is a front perspective view of the daybed in an upright position;
 FIG. 7 is a front perspective view of the daybed in a partially reclined position;
 FIG. 8 is a front perspective view of the daybed in a raised ends position; and,
 FIG. 9 is a front perspective view of the daybed in a fully reclined position.
 The broken lines in the drawings illustrate stitching that is not a part of the claimed design.

1 Claim, 9 Drawing Sheets



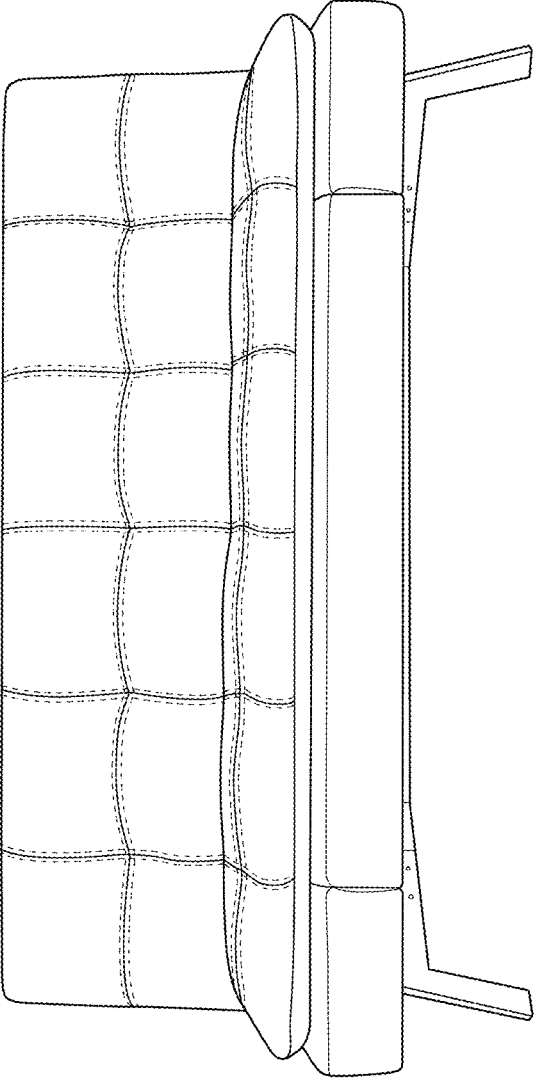


FIG. 1

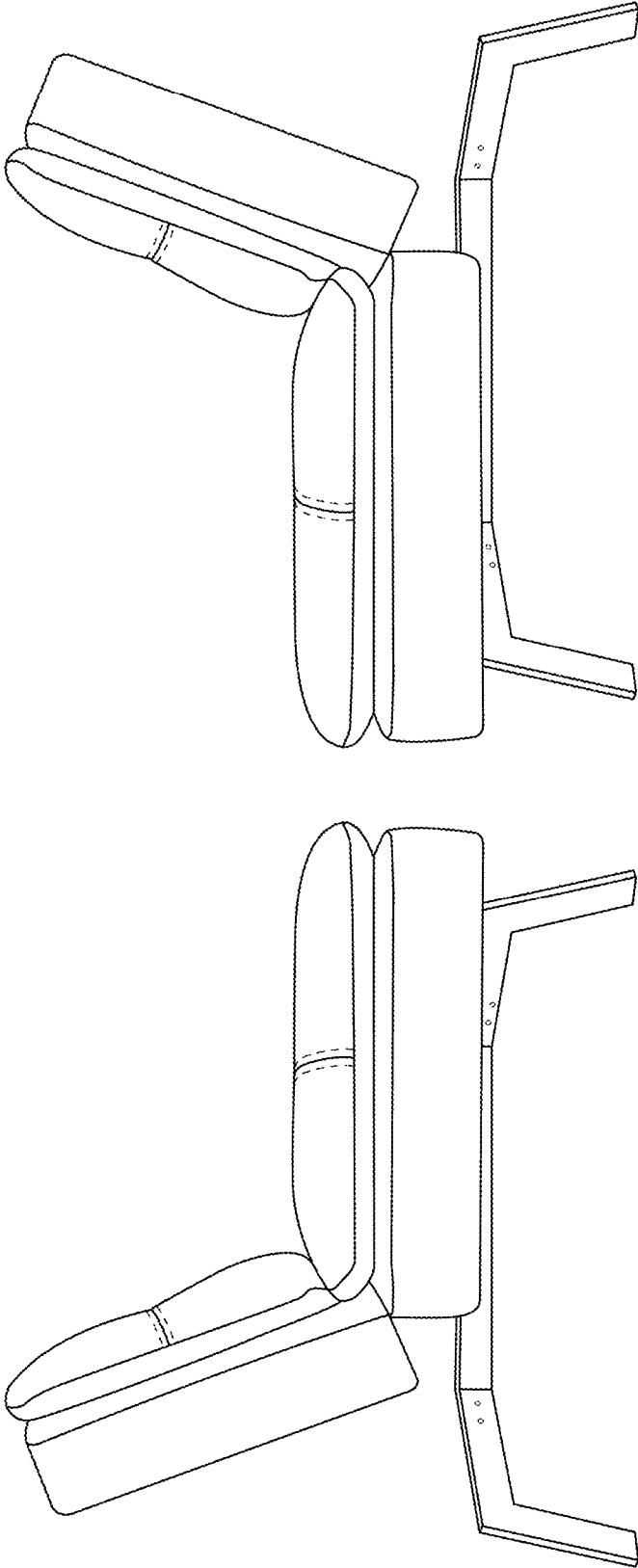


FIG. 2

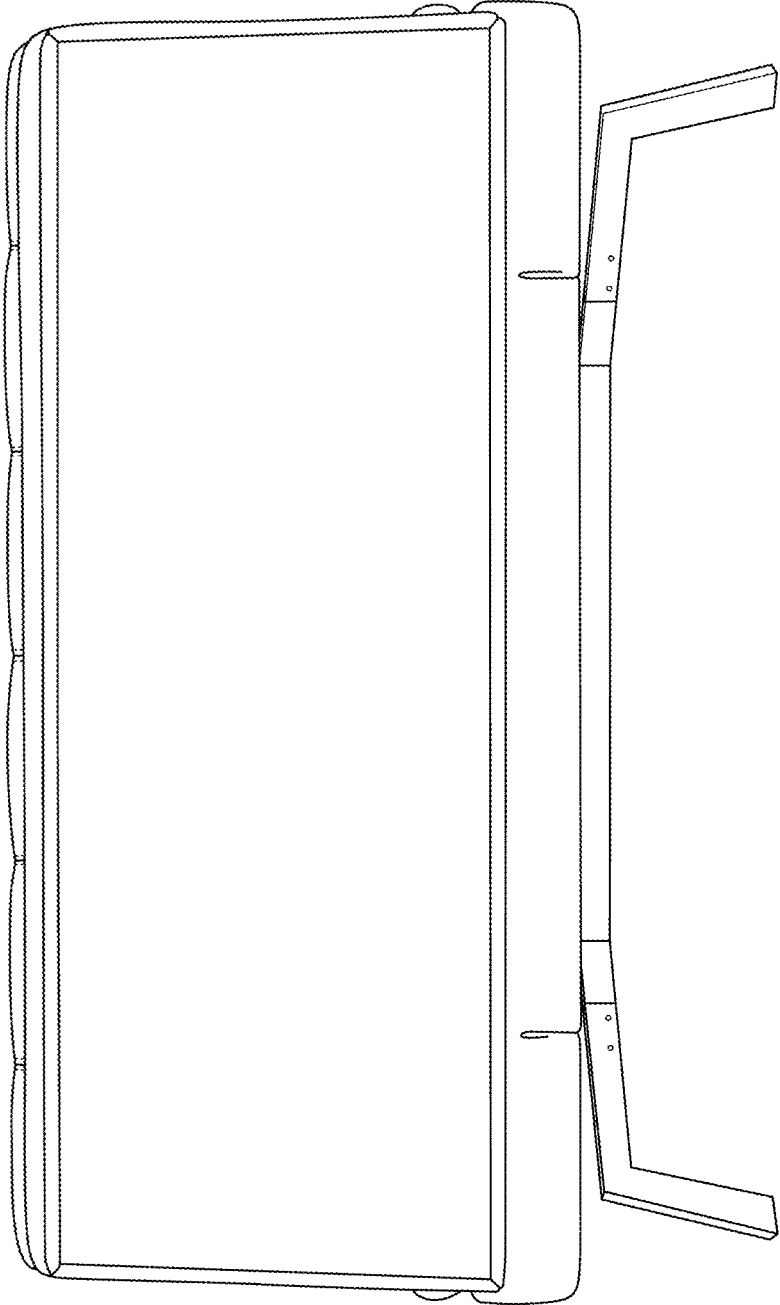


FIG. 3

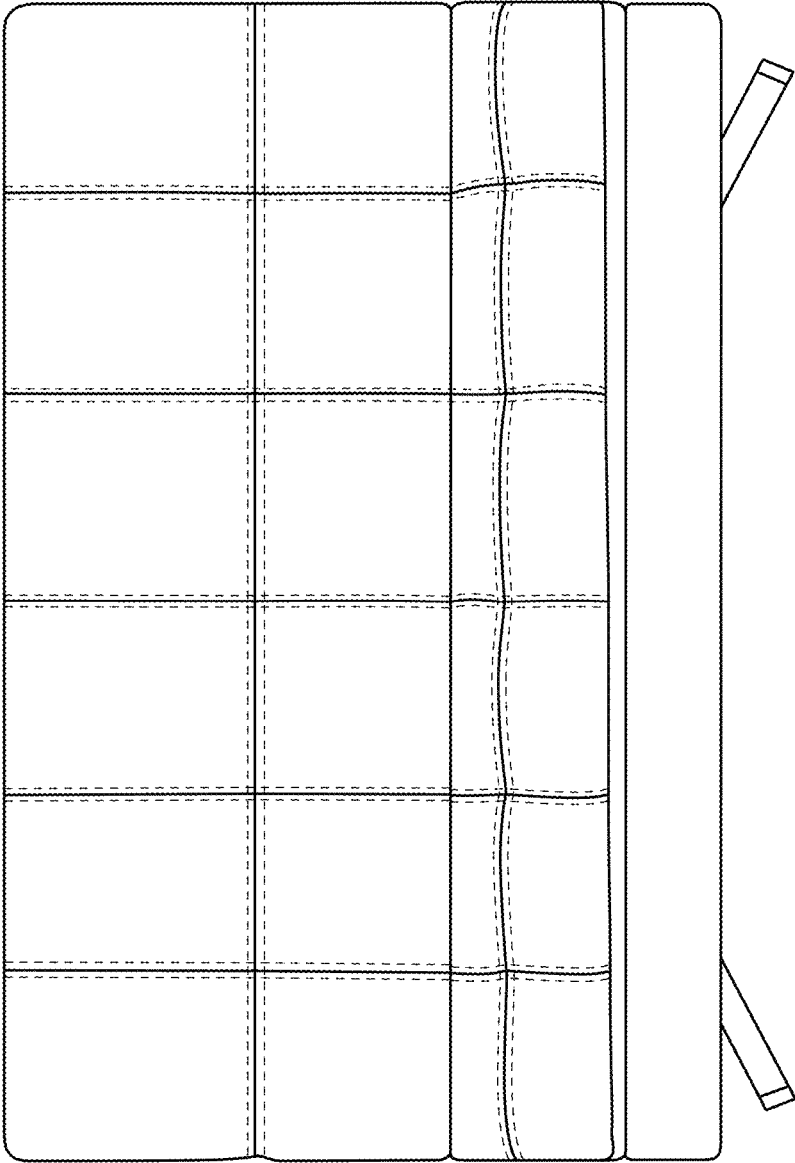


FIG. 4

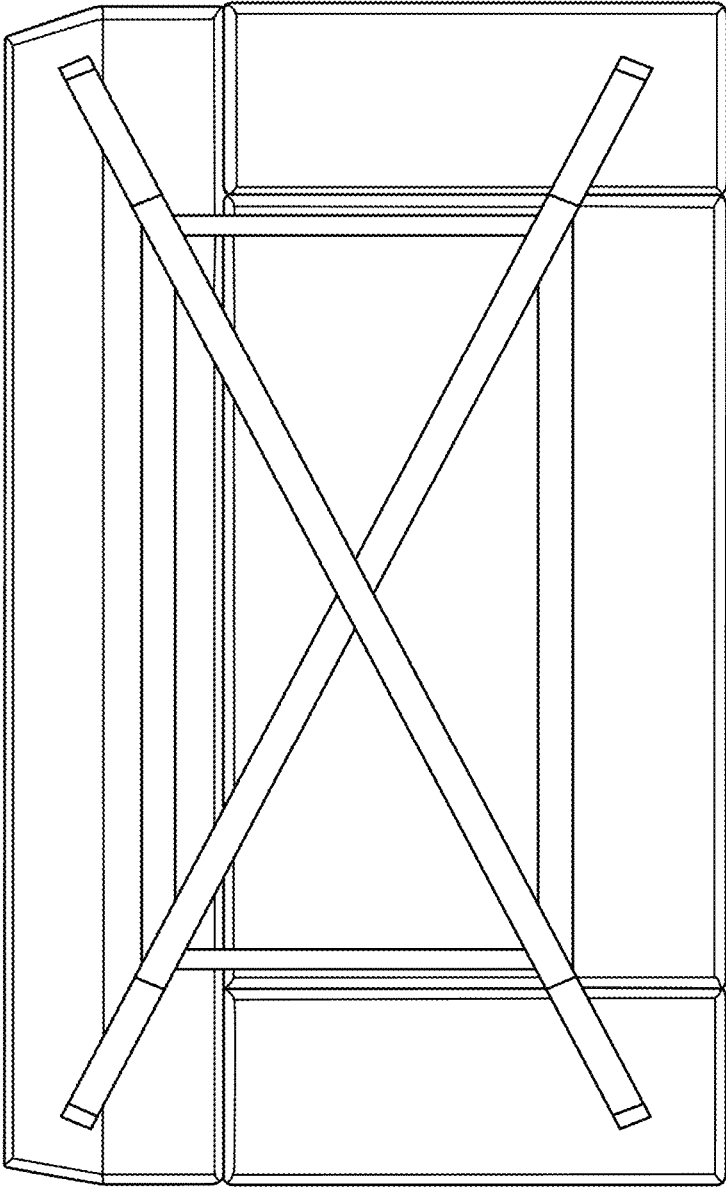


FIG. 5

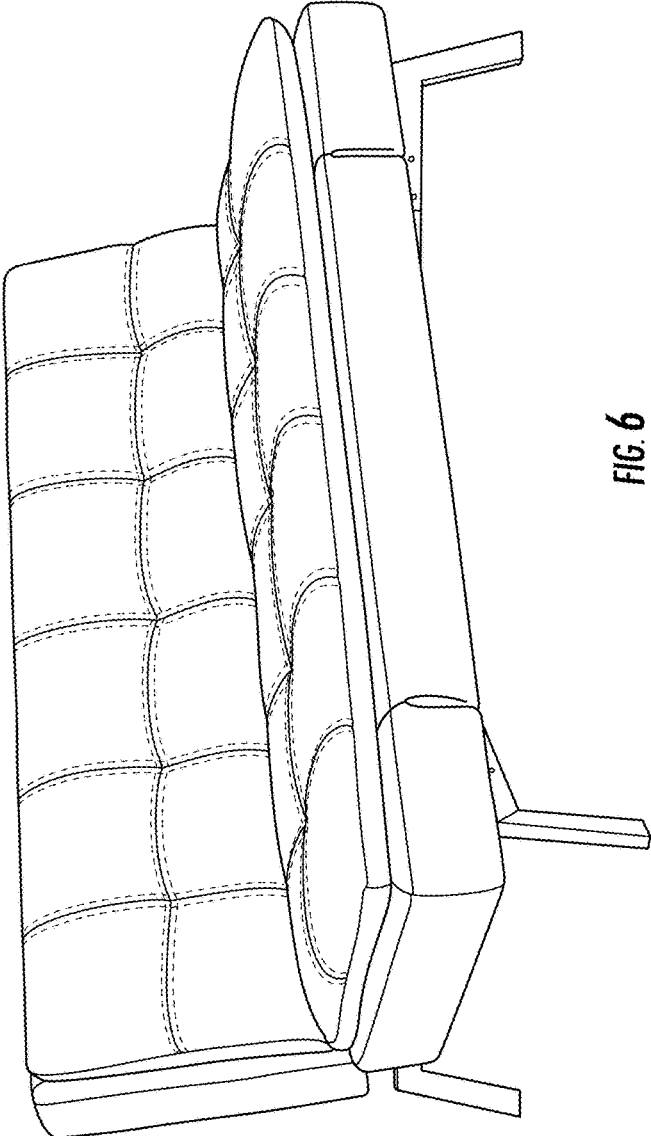


FIG. 6

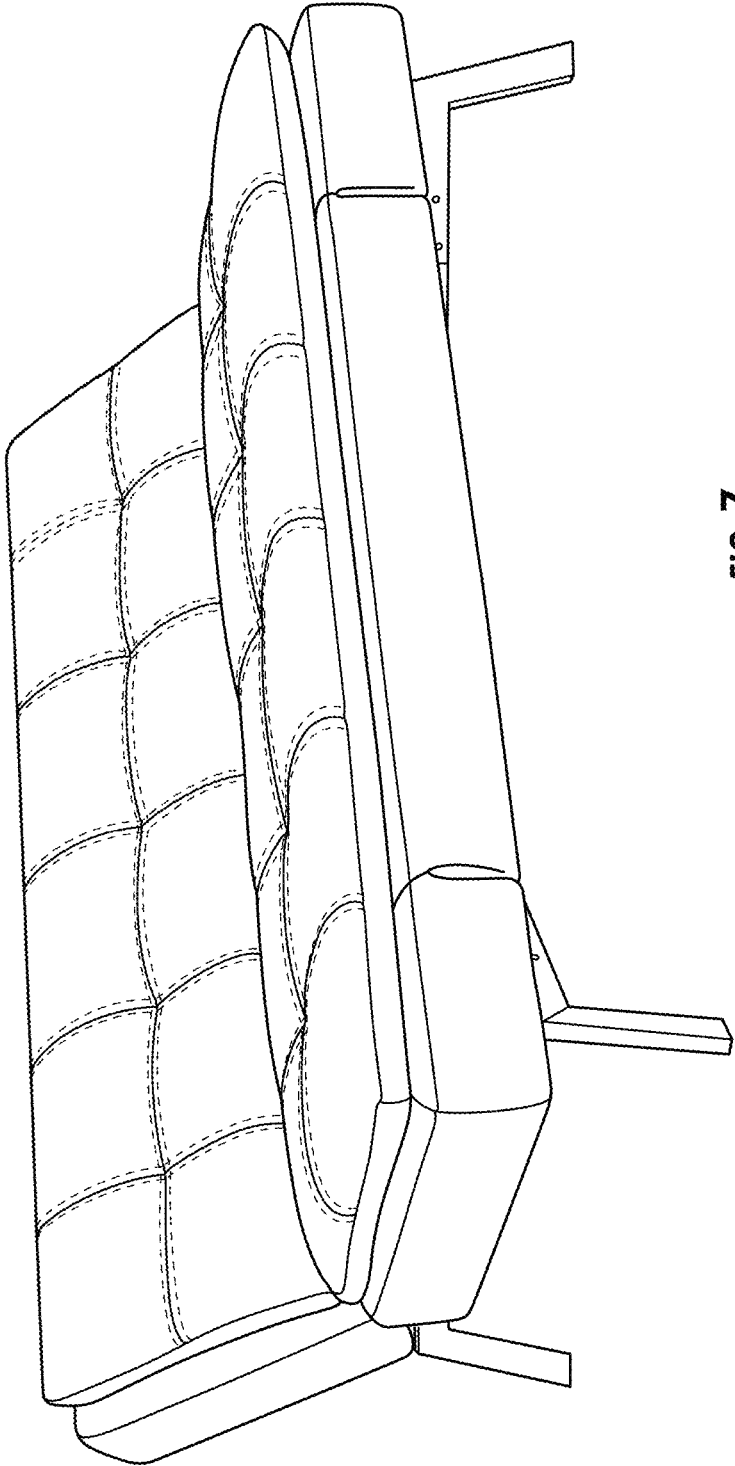


FIG. 7

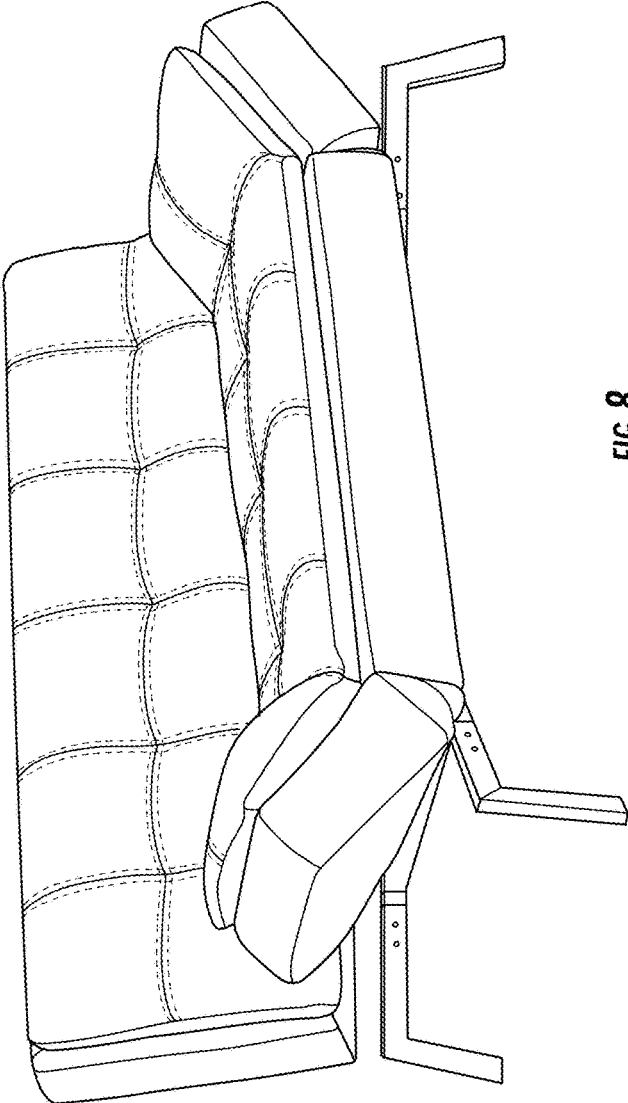


FIG. 8

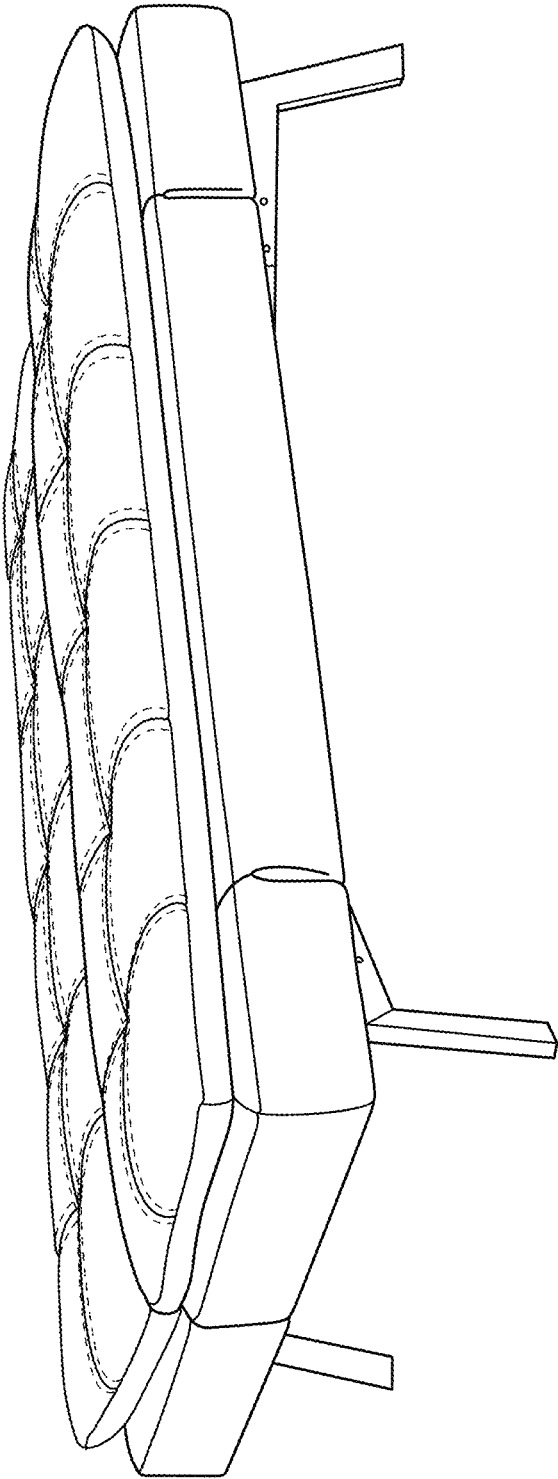


FIG. 9