



US00D720914S

(12) **United States Design Patent**
Fox

(10) **Patent No.:** **US D720,914 S**

(45) **Date of Patent:** **** Jan. 6, 2015**

(54) **FLOOR JACK**

(71) Applicant: **VIS, LLC**, Travelers Rest, SC (US)

(72) Inventor: **Robert Fox**, Greenville, SC (US)

(73) Assignee: **VIS, LLC**, Travelers Rest, SC (US)

(**) Term: **14 Years**

(21) Appl. No.: **29/479,006**

(22) Filed: **Jan. 10, 2014**

(51) **LOC (10) Cl.** **12-05**

(52) **U.S. Cl.**
USPC **D34/31**

(58) **Field of Classification Search**
USPC D34/31; 254/8 B, 8 R, 2 R, 93 H, 93 R,
254/124, DIG. 1, 134, 126
See application file for complete search history.

(56) **References Cited**

U.S. PATENT DOCUMENTS

D284,417 S	6/1986	Yamahishi	
D296,598 S	7/1988	Hung	
D332,337 S	1/1993	Wang	
D388,926 S *	1/1998	Sorensen	D34/31
D421,516 S *	3/2000	Hung	D34/31
D452,597 S *	12/2001	Hung	D34/31
D453,983 S *	2/2002	Lin	D34/31
D480,196 S	9/2003	Hsu	
D483,169 S *	12/2003	Fox	D34/31
D531,377 S *	10/2006	Liu	D34/31
D582,623 S *	12/2008	Qian et al.	D34/31

D590,121 S *	4/2009	Shen et al.	D34/31
D604,025 S	11/2009	Lin	
D628,760 S *	12/2010	Fox et al.	D34/31
D688,845 S *	8/2013	Hernandez et al.	D34/31
8,500,095 B1	8/2013	Salcedo	
8,608,131 B2	12/2013	Kania	
8,622,369 B2	1/2014	Kania	
2006/0278858 A1	12/2006	Brocchini	

* cited by examiner

Primary Examiner — Cynthia Ramirez

(74) *Attorney, Agent, or Firm* — J. Bennett Mullinax, LLC

(57) **CLAIM**

The ornamental design for a floor jack, as shown and described.

DESCRIPTION

FIG. 1 is a left front side perspective view of the floor jack as shown in FIG. 1;

FIG. 2 is a left rear side perspective view of the floor jack as shown in FIG. 1;

FIG. 3 is a top view of the floor jack as shown in FIG. 1;

FIG. 4 is a bottom view of the floor jack as shown in FIG. 1;

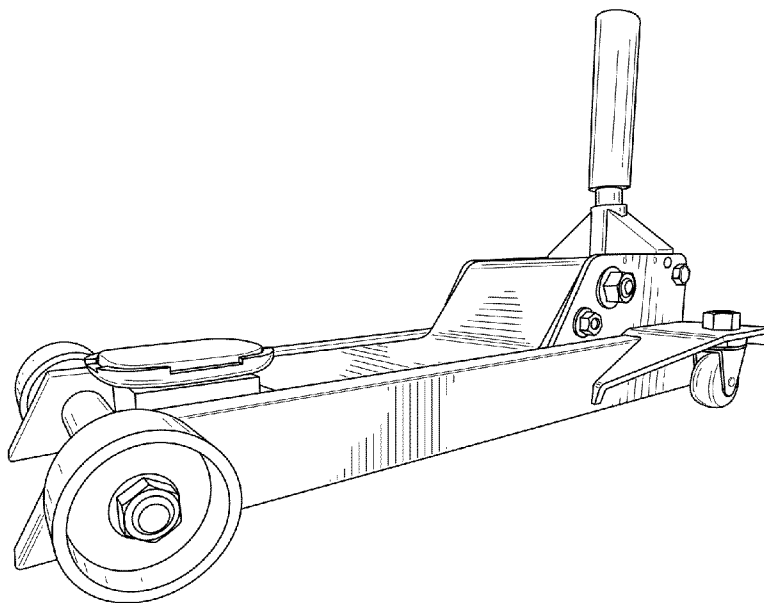
FIG. 5 is a front view of the floor jack as shown in FIG. 1;

FIG. 6 is a rear view of the floor jack as shown in FIG. 1;

FIG. 7 is a left side view of the floor jack as shown in FIG. 1; and,

FIG. 8 is a right side view of the floor jack as shown in FIG. 1.

1 Claim, 7 Drawing Sheets



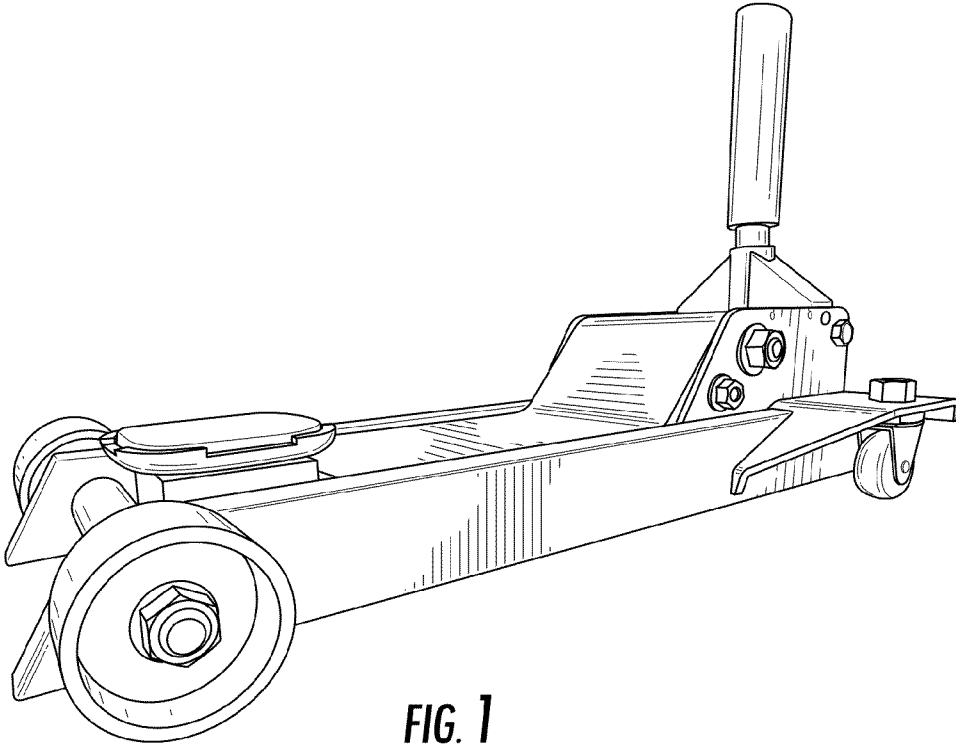


FIG. 1

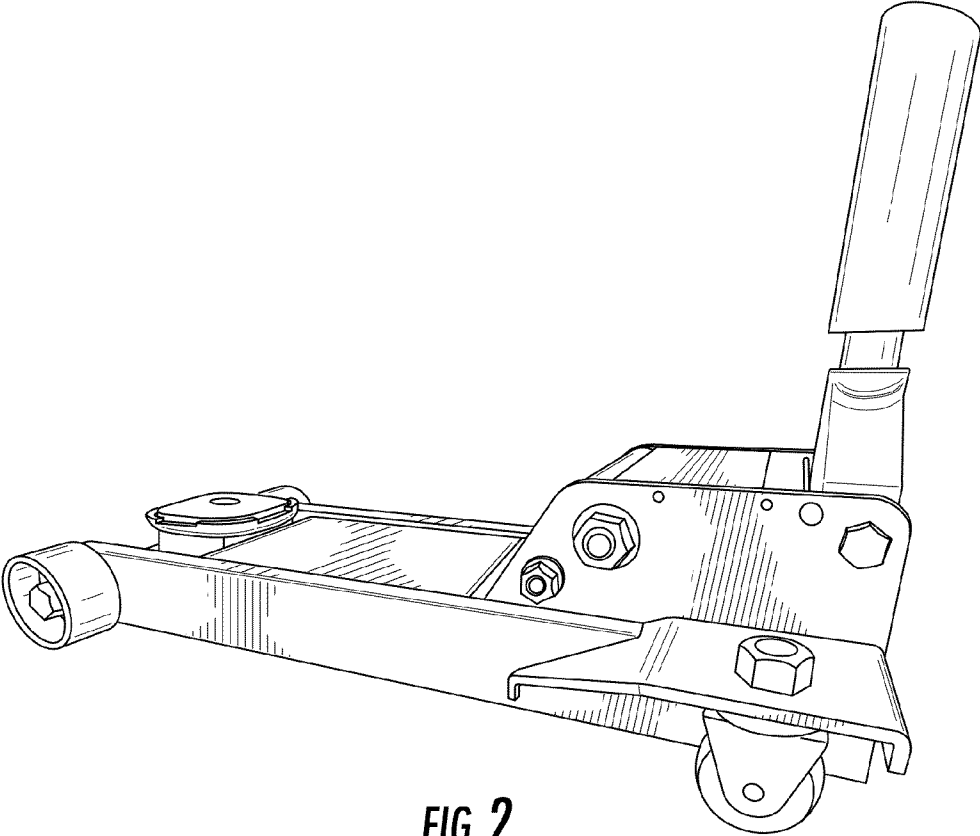


FIG. 2

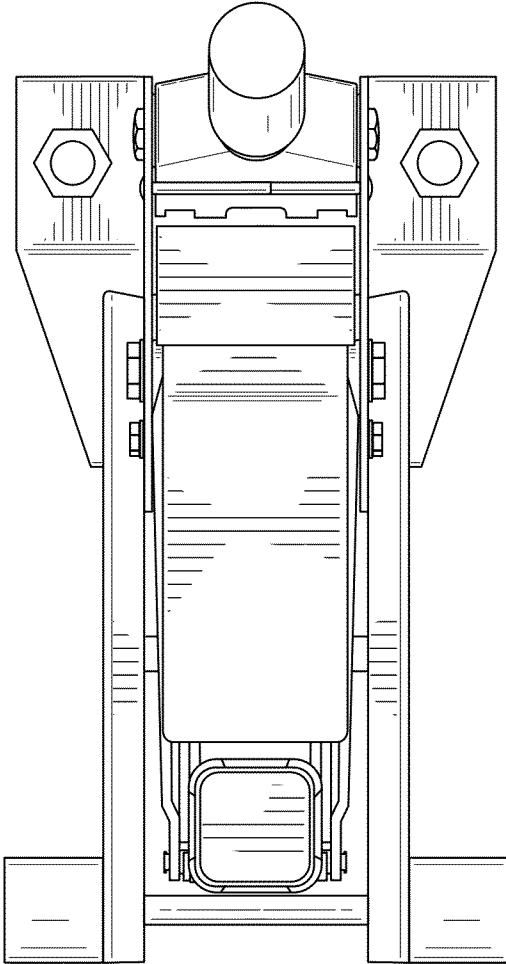


FIG. 3

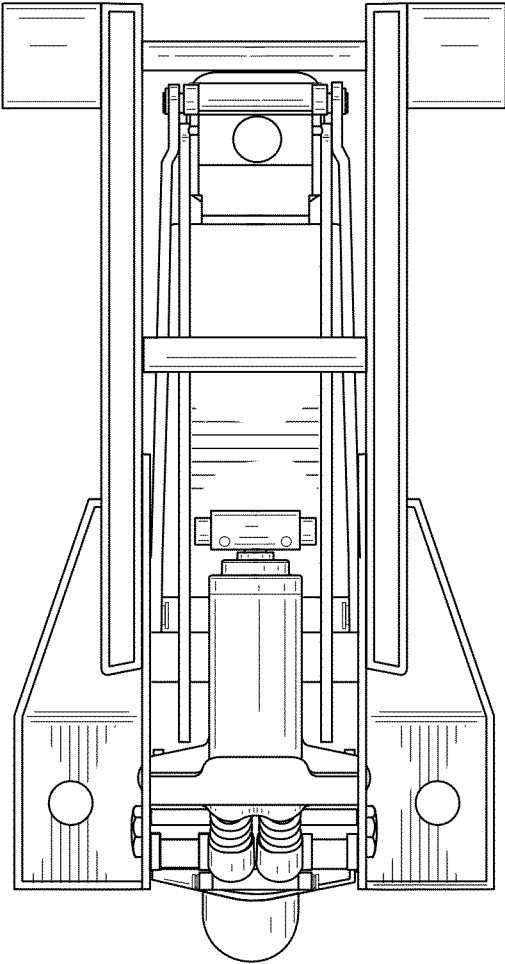


FIG. 4

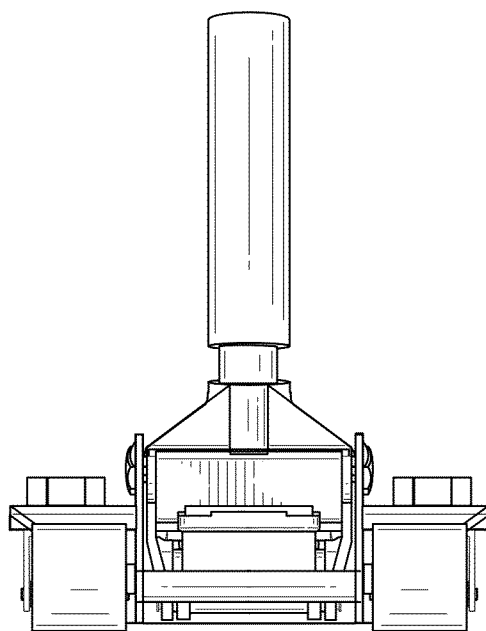


FIG. 5

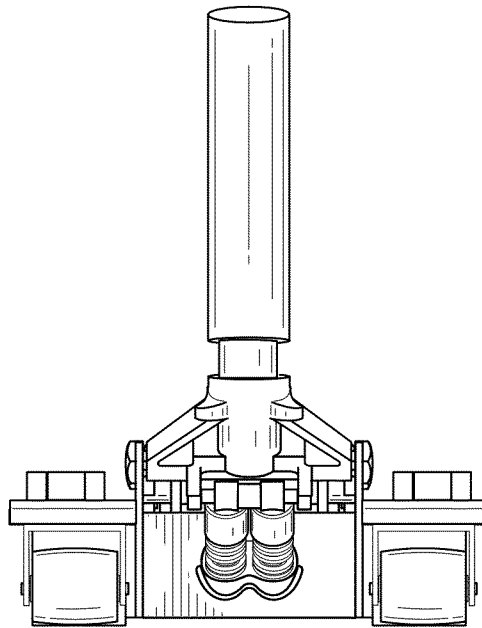


FIG. 6

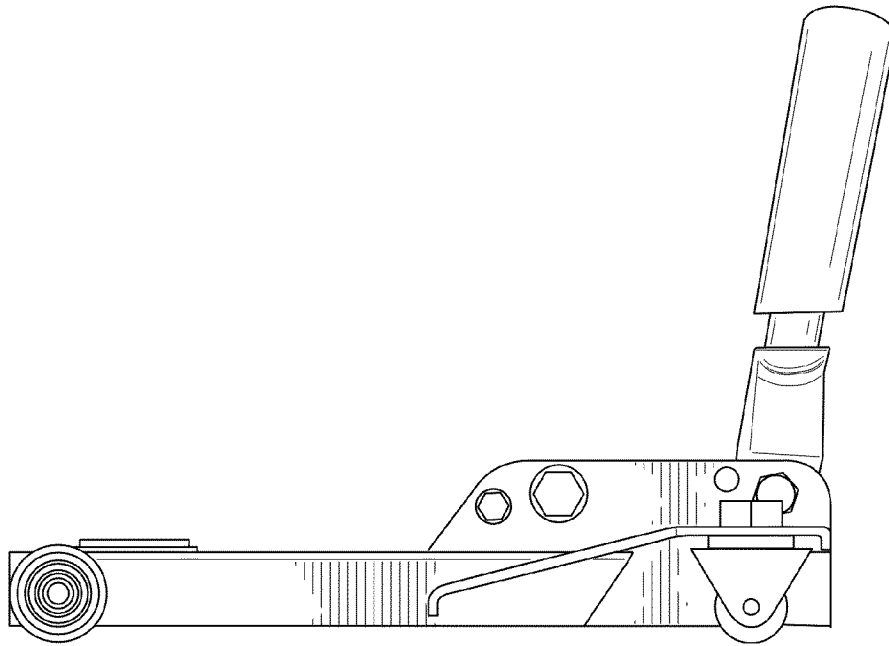


FIG. 7

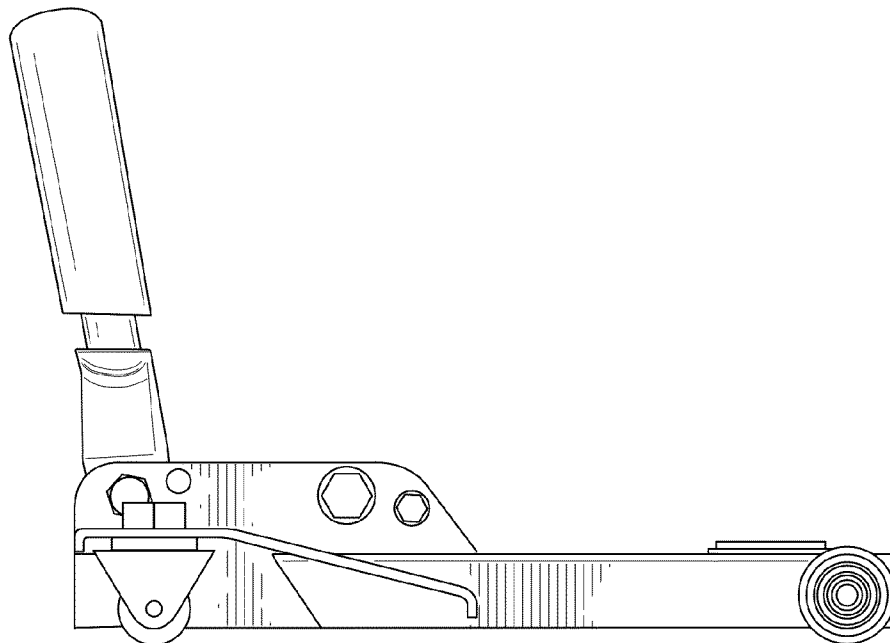


FIG. 8