

188,771

CLOSURE CAP FOR BOTTLES OR THE LIKE

George F. Chaplin, Elmwood Park, Ill., assignor, by
mesne assignments, to Continental Can Company, Inc.,
New York, N.Y., a corporation of New York

Filed Nov. 10, 1955, Ser. No. 38,821

Term of patent 14 years

(Cl. D58—26)

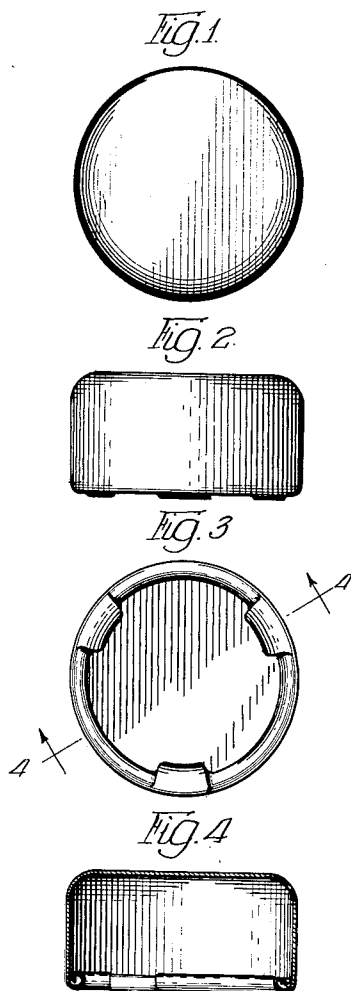


Fig. 1 is a top view of a closure cap for bottles or the like which embodies my new design;
Fig. 2 is a side view of the closure cap;
Fig. 3 is a bottom view of the closure cap; and
Fig. 4 is a section view through the closure cap, taken on the line 4—4 of Fig. 3.

I claim:

The ornamental design for a closure cap for bottles or the like, substantially as shown.

References Cited in the file of this patent

UNITED STATES PATENTS

D. 30,765	Lindemeyr	May 16, 1899
1,583,019	Simmons	May 4, 1926

OTHER REFERENCES

Modern Packaging Encyclopedia, 1946—47, page 453, top of page, 2nd from left.