



US00D802819S

(12) **United States Design Patent**  
**Czech et al.**

(10) **Patent No.:** **US D802,819 S**

(45) **Date of Patent:** **\*\* \*Nov. 14, 2017**

- (54) **LIGHT FIXTURE**
- (71) Applicant: **Focal Point, LLC**, Chicago, IL (US)
- (72) Inventors: **Ken Czech**, Naperville, IL (US);  
**Michael David SanFacon**, Naperville, IL (US); **Krutin S. Desai**, Chicago, IL (US)
- (73) Assignee: **Focal Point, LLC**, Chicago, IL (US)
- (\* ) Notice: This patent is subject to a terminal disclaimer.
- (\*\*) Term: **15 Years**

D597,241 S *	7/2009	Fabbri .....	D26/74
D613,074 S *	4/2010	Dathe .....	D6/300
D632,008 S *	2/2011	Kim .....	D26/120
D645,193 S *	9/2011	Chung .....	D26/75
D650,509 S *	12/2011	Wegger .....	D26/90
D654,703 S *	2/2012	LeMay .....	D6/300
D660,498 S *	5/2012	Chung .....	D26/75
D664,700 S *	7/2012	Ferguson .....	D26/76
D679,437 S *	4/2013	Watt .....	D26/74
D731,189 S *	6/2015	Kim .....	D6/300
D737,500 S *	8/2015	Santoro .....	D26/120
D738,032 S *	9/2015	Maxik .....	D26/118

(Continued)

- (21) Appl. No.: **29/540,821**
- (22) Filed: **Sep. 28, 2015**

**OTHER PUBLICATIONS**

Finelite, Inc., "E1-Indirect Configuration," Elements of Design E1 LED Indirect Brochure, Dec. 21, 2015, p. 2, published 2014.

(Continued)

- (51) **LOC (10) Cl.** ..... **26-03**
- (52) **U.S. Cl.**  
USPC ..... **D26/76**

*Primary Examiner* — George D Kirschbaum  
*Assistant Examiner* — Natasha Vujcic  
(74) *Attorney, Agent, or Firm* — Banner & Witcoff, Ltd.

- (58) **Field of Classification Search**  
USPC ..... D26/71, 72, 75, 76, 78, 79, 80, 81, 82,  
D26/83, 85, 86, 88, 90, 113, 118, 119,  
D26/120, 121, 122, 138  
CPC ..... F21S 2/00; F21S 4/00; F21S 4/003; F21S  
4/005; F21S 4/006; F21S 4/007; F21S  
4/008; F21S 6/00; F21S 8/00; F21S  
8/024; F21S 8/026; F21S 8/031; F21S  
8/033; F21S 8/035-8/037; F21S 8/04;  
F21S 8/043; F21S 8/063  
See application file for complete search history.

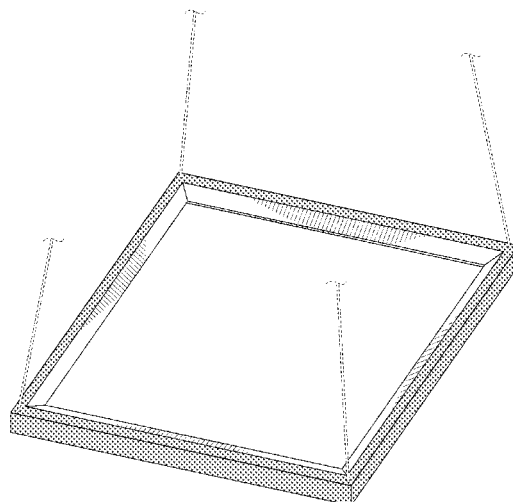
(57) **CLAIM**  
The ornamental design for a light fixture, as shown and described.

- (56) **References Cited**  
U.S. PATENT DOCUMENTS  
D437,446 S \* 2/2001 Reo ..... D26/91  
D452,995 S \* 1/2002 Barry ..... D6/300  
D491,687 S \* 6/2004 Thornton, Jr. .... D26/76  
D493,244 S \* 7/2004 Engel ..... D26/76  
D592,347 S \* 5/2009 Trott ..... D26/74  
D592,348 S \* 5/2009 Trott ..... D26/74

**DESCRIPTION**

FIG. 1 is a first perspective view of a light fixture showing our new design;  
FIG. 2 is a second perspective view thereof;  
FIG. 3 is a top view thereof;  
FIG. 4 is a bottom view thereof;  
FIG. 5 is a front view thereof; wherein the rear view is a mirror image of FIG. 5; and,  
FIG. 6 is a side view thereof wherein the alternate side view is a mirror image of FIG. 6.  
The broken lines in the drawings illustrate portions of the environment of the light fixture which forms no part of the claimed design.

**1 Claim, 6 Drawing Sheets**



(56)

**References Cited**

U.S. PATENT DOCUMENTS

D747,109	S *	1/2016	Shay-Puetzer .....	D6/300
D749,257	S *	2/2016	Arndt .....	D26/76
D773,098	S *	11/2016	Czech .....	D26/76
D780,364	S *	2/2017	Czech .....	D26/78
2010/0149791	A1 *	6/2010	McCane .....	F21S 8/04 362/147
2010/0165627	A1 *	7/2010	Wung .....	F21S 2/005 362/249.02

OTHER PUBLICATIONS

Prudential Lighting Corporation, "Zenith In," Zenith Series Brochure, Dec. 21, 2015, p. 3, published 2015.

\* cited by examiner

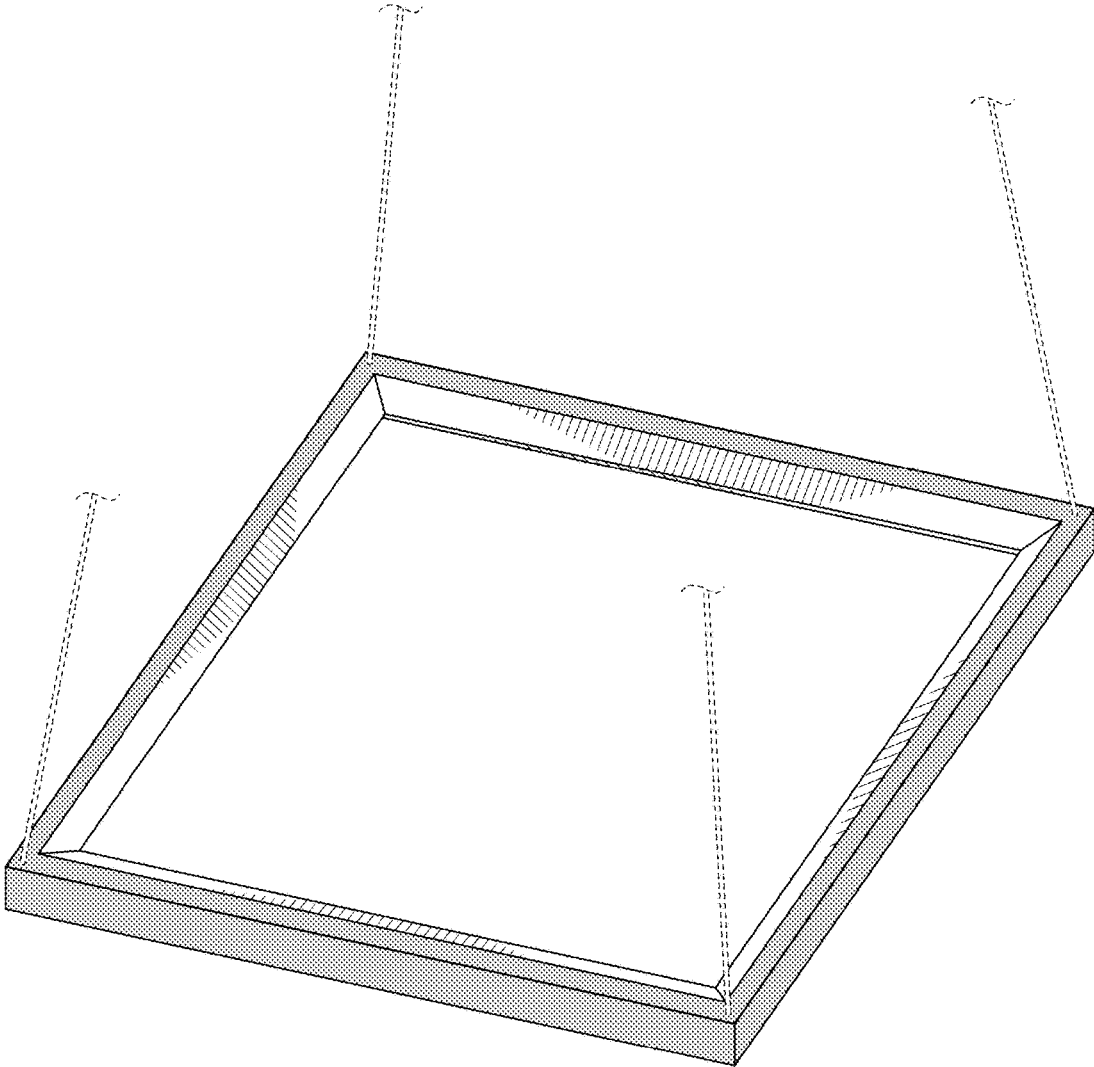


FIG. 1

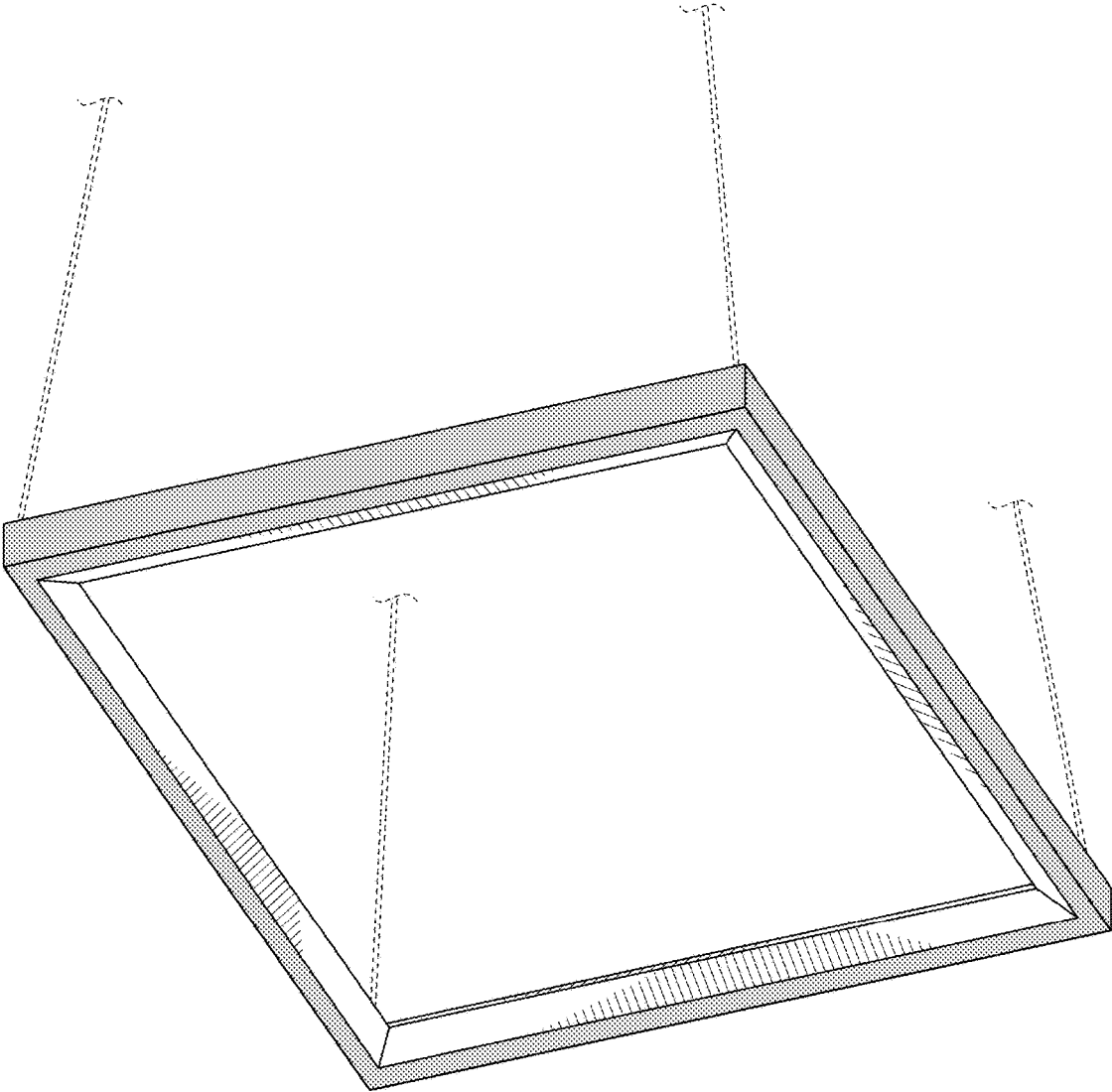
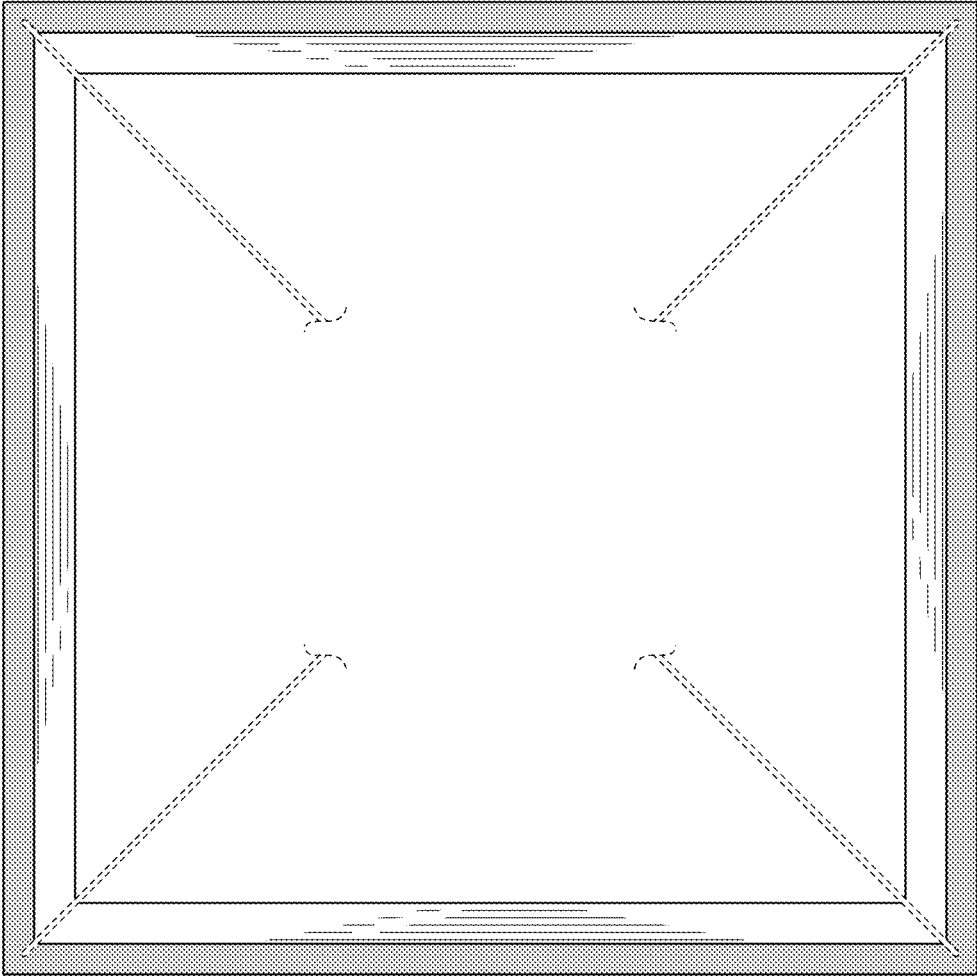


FIG. 2



**FIG. 3**

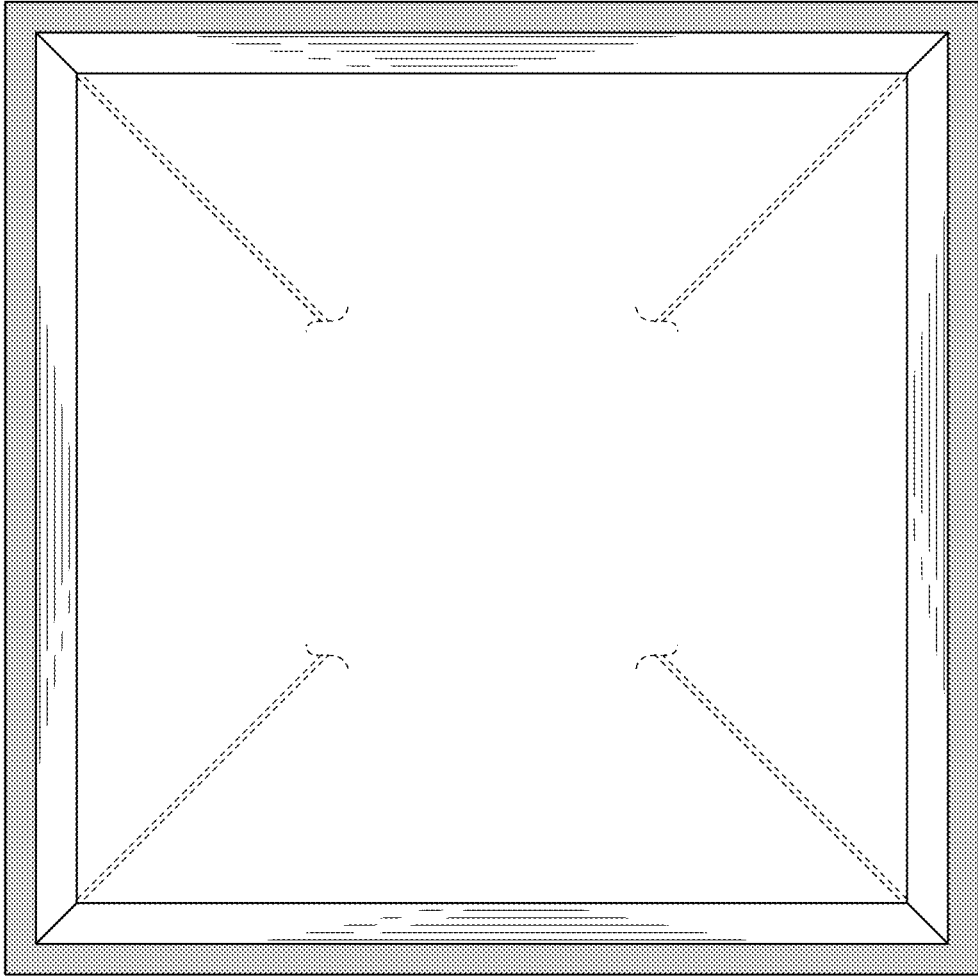
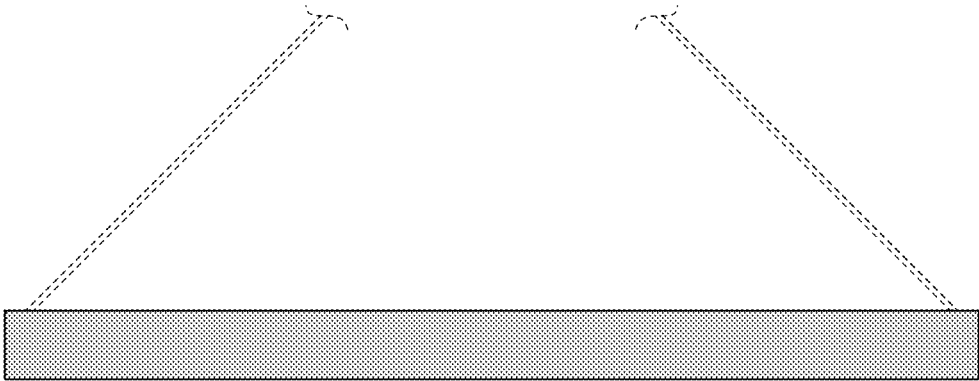
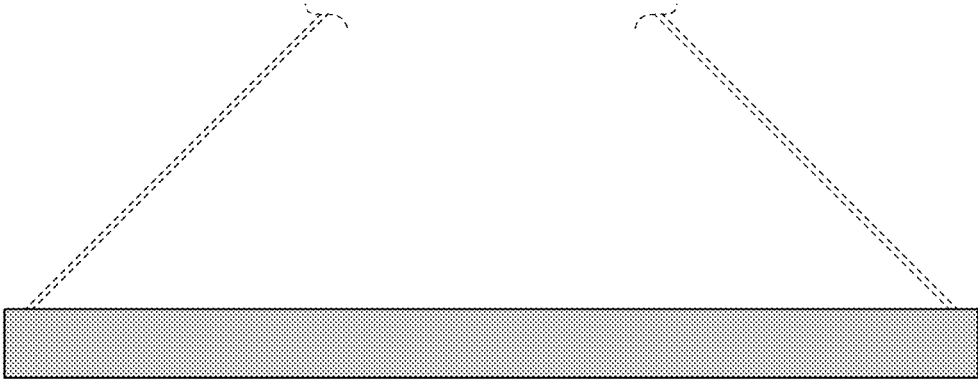


FIG. 4



*FIG. 5*



**FIG. 6**