



US00D426613S

United States Patent [19]
Curtis

[11] **Patent Number: Des. 426,613**
[45] **Date of Patent: ** Jun. 13, 2000**

[54] **INSECT CONTAINER**
[75] Inventor: **Regan L. Curtis**, Wichita, Kans.
[73] Assignee: **The Coleman Company, Inc.**, Wichita, Kans.
[**] Term: **14 Years**
[21] Appl. No.: **29/108,750**
[22] Filed: **Aug. 3, 1999**
[51] **LOC (7) Cl.** **22-06**
[52] **U.S. Cl.** **D22/123**
[58] **Field of Search** D22/123, 122;
43/112, 133

3,177,609 4/1965 De Marco 43/112
4,603,505 8/1986 Millard 43/112
4,785,573 11/1988 Millard 43/112
4,962,611 10/1990 Millard 43/112

Primary Examiner—Louis S. Zarfaz
Assistant Examiner—Inga-Maria Hyttinen
Attorney, Agent, or Firm—Kramer, Levin, Naftalis & Frankel, LLP

[57] **CLAIM**

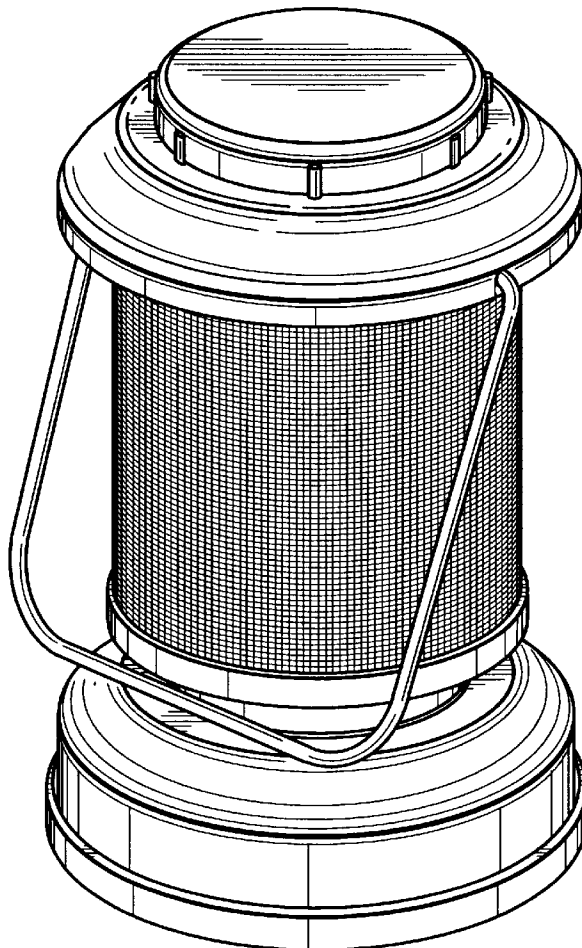
The ornamental design for an insect container, as shown and described.

DESCRIPTION

FIG. 1 is a perspective view showing my new design; FIG. 2 is a side view, the other side being a mirror image thereof; FIG. 3 is a top plan view thereof; FIG. 4 is a bottom view thereof; FIG. 5 is a front elevational view thereof; FIG. 6 is a rear elevational view thereof; and, FIG. 7 is a perspective view thereof with the container lid shown in open position.

[56] **References Cited**
U.S. PATENT DOCUMENTS
D. 258,073 1/1981 Brown et al. D22/123
D. 270,930 10/1983 Lee et al. D22/123
D. 342,775 12/1993 Kuipers D22/122
D. 375,136 10/1996 Poore D22/123
424,729 4/1890 Scherer 43/112
1,936,468 11/1933 Folmer et al. 43/112

1 Claim, 6 Drawing Sheets



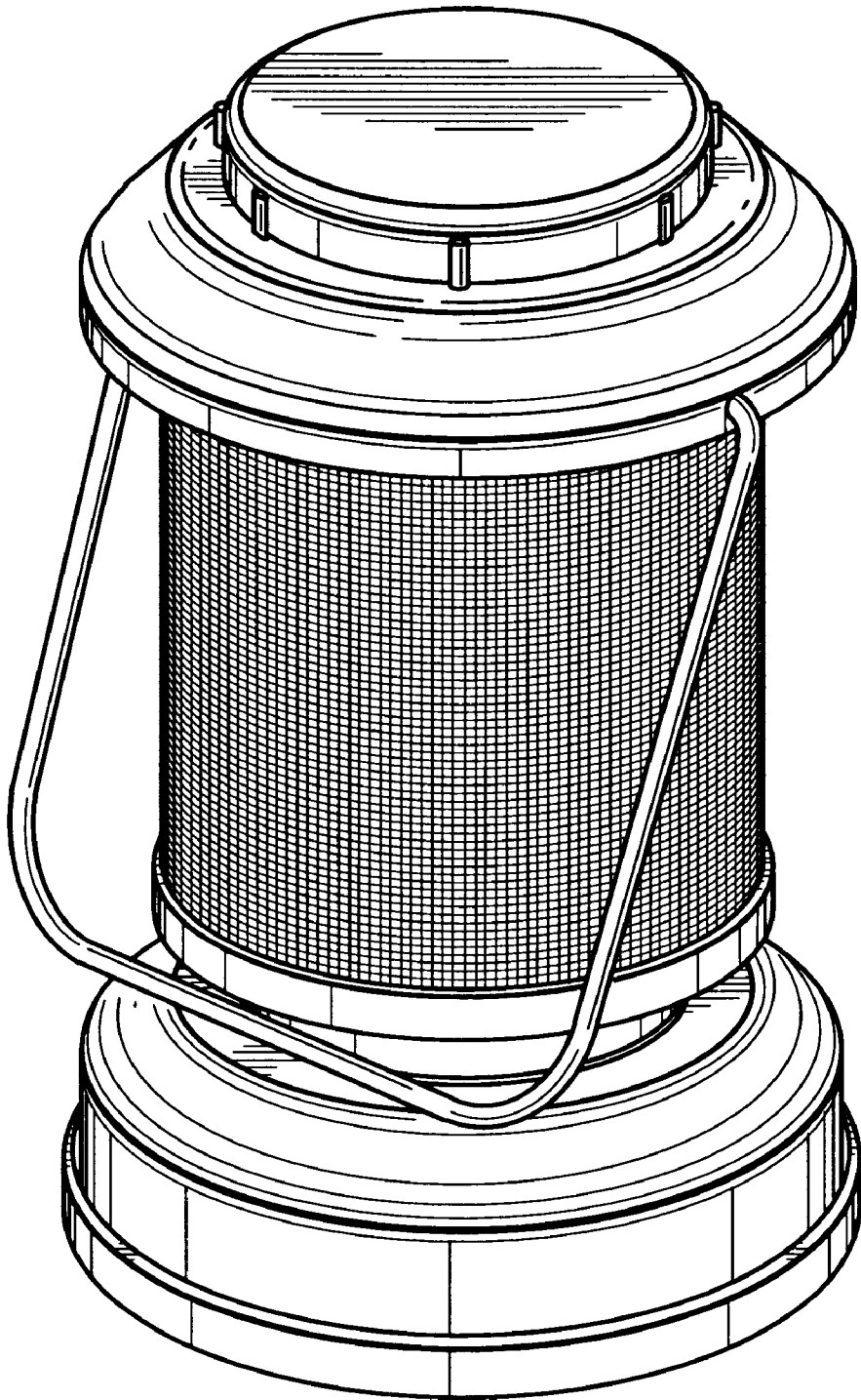


FIG. 1

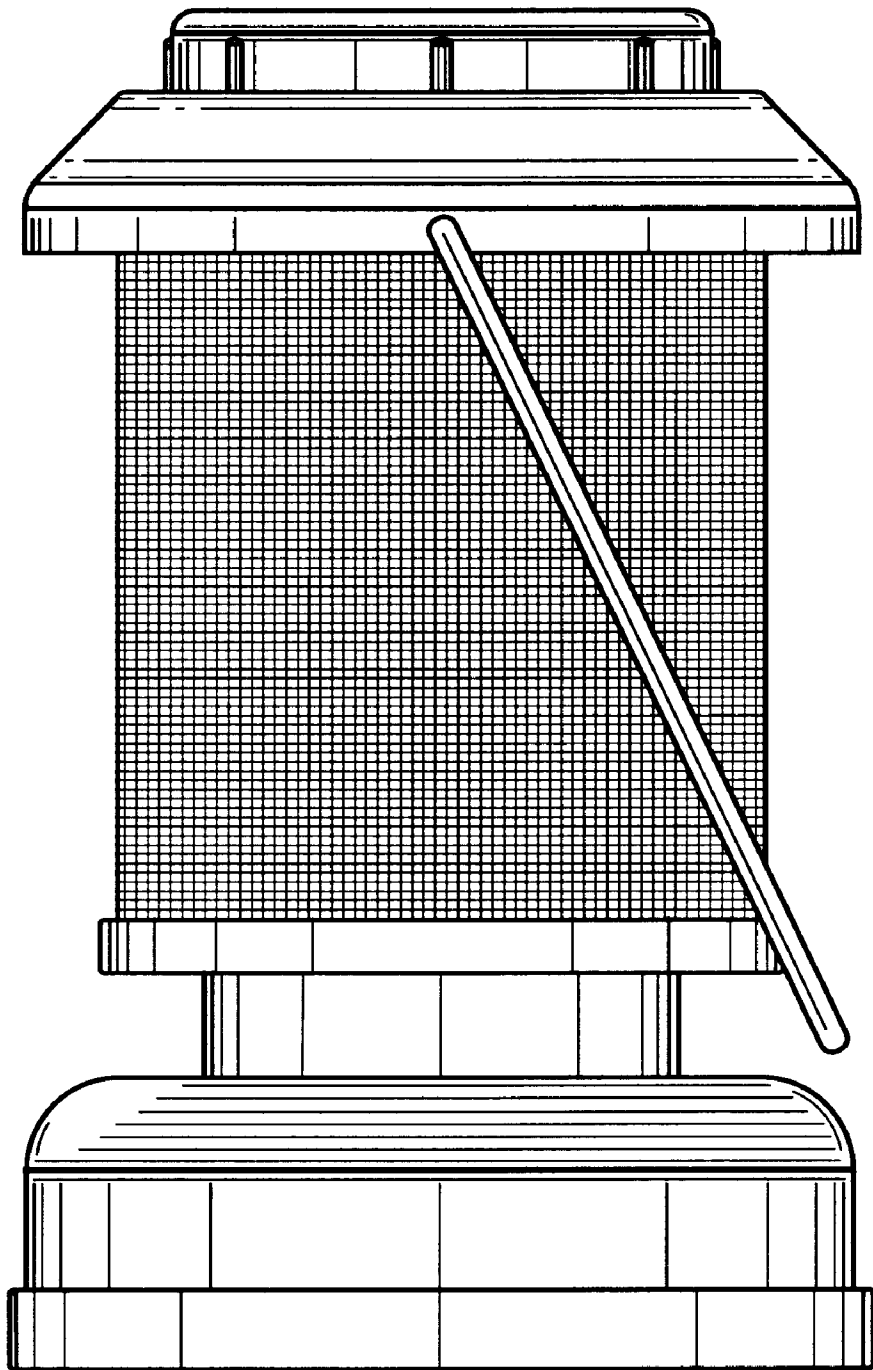


FIG. 2

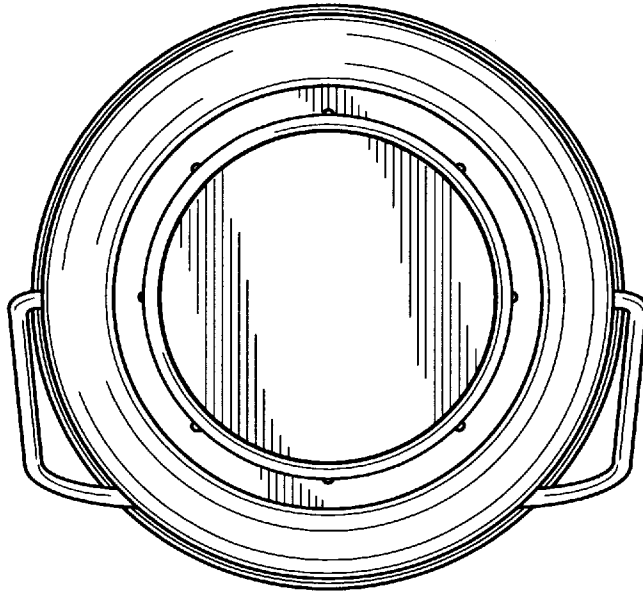


FIG. 3

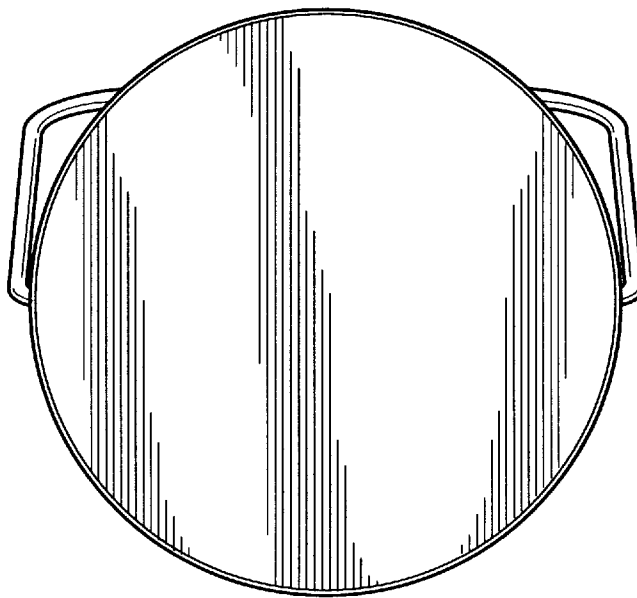


FIG. 4

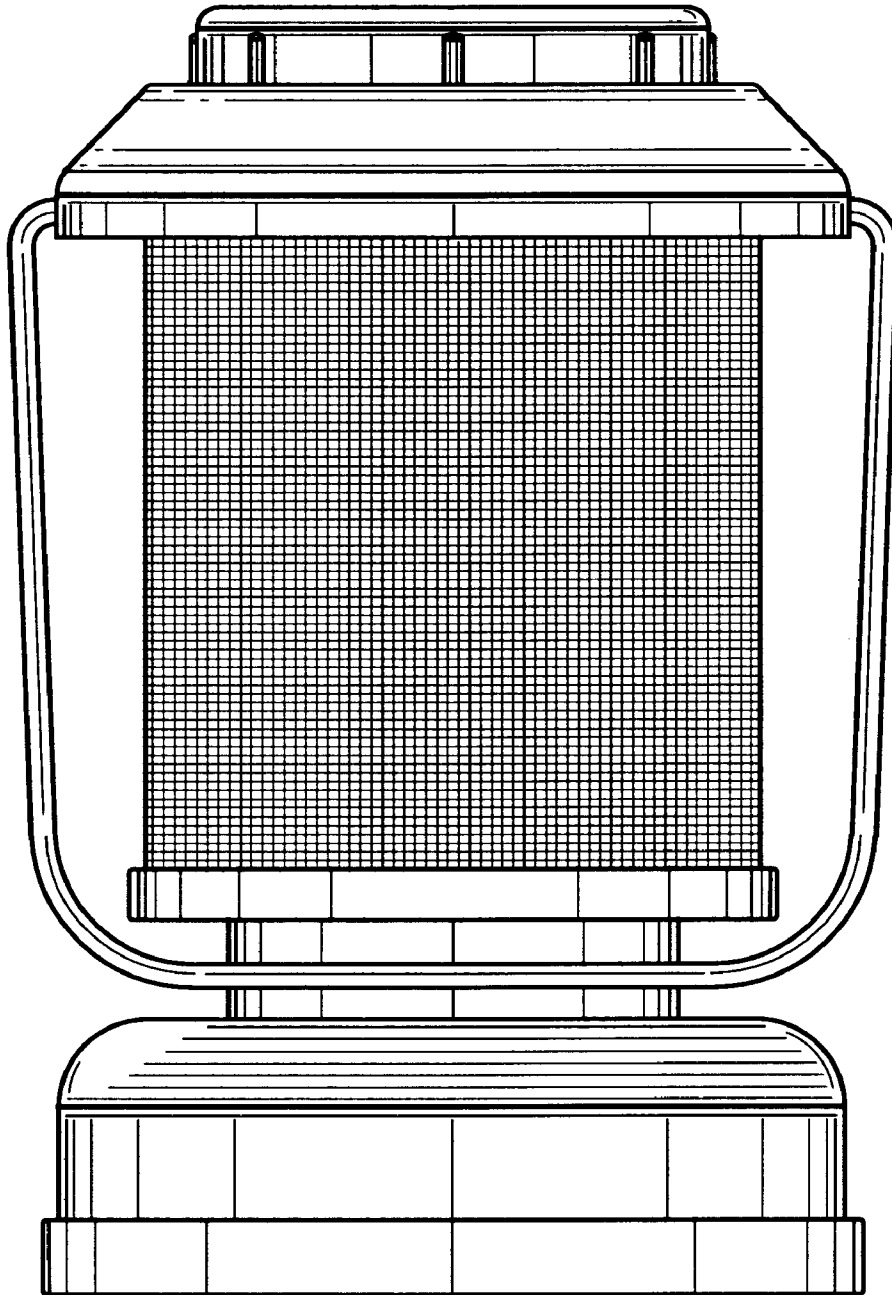


FIG. 5

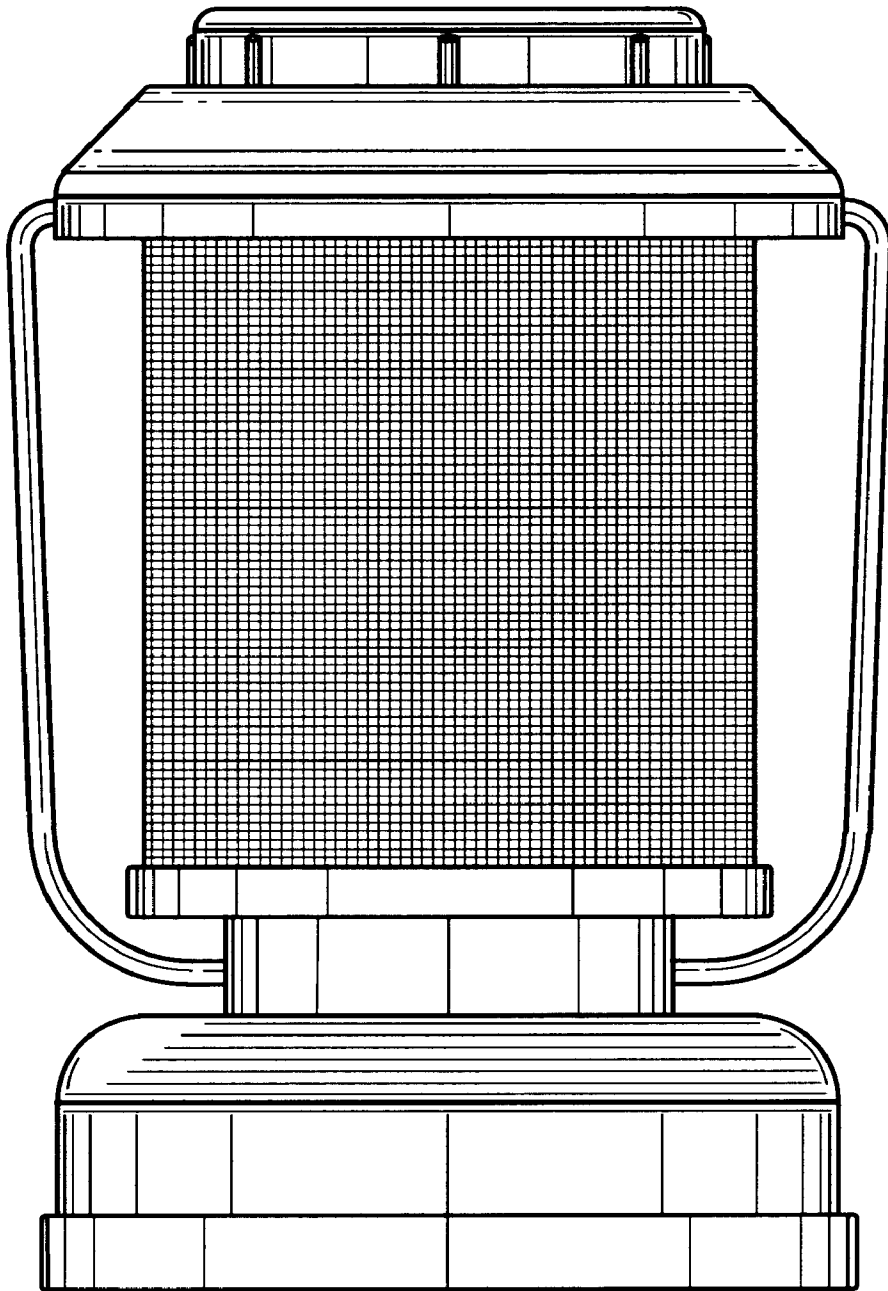


FIG. 6

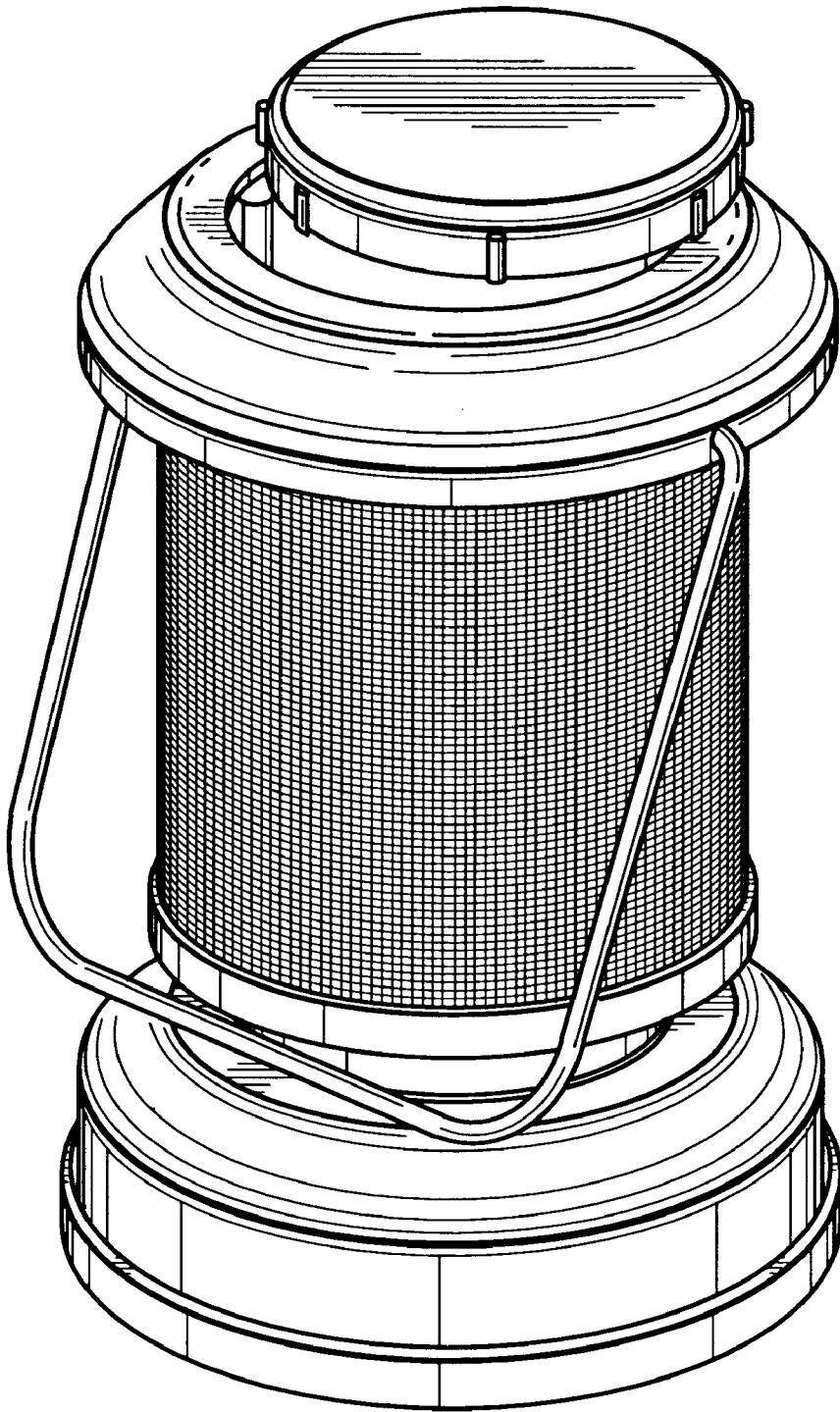


FIG. 7