



(12) **United States Design Patent**
Jen

(10) **Patent No.:** **US D910,796 S**
(45) **Date of Patent:** **** Feb. 16, 2021**

(54) **HANDGUN SLIDE**

(71) Applicant: **Yi Huei Jen**, Irvine, CA (US)

(72) Inventor: **Yi Huei Jen**, Irvine, CA (US)

(**) Term: **15 Years**

(21) Appl. No.: **29/631,140**

(22) Filed: **Dec. 27, 2017**

(51) **LOC (13) Cl.** **22-01**

(52) **U.S. Cl.**
USPC **D22/108**

(58) **Field of Classification Search**
USPC D22/103, 108, 109, 199; D8/68;
D21/573, 574
CPC F41C 23/10; F41C 23/14; F41C 23/16;
F41C 23/18
See application file for complete search history.

(56) **References Cited**

U.S. PATENT DOCUMENTS

D346,196	S *	4/1994	Ruger	D22/108
D430,916	S *	9/2000	Bubits	D22/100
D593,623	S *	6/2009	Halmone	D21/574
D627,028	S *	11/2010	Coulombier	D22/104
D671,610	S *	11/2012	Nebeker	D22/104
D688,764	S *	8/2013	Yigit	D22/104
D690,374	S *	9/2013	Lee	D21/574
8,528,243	B1 *	9/2013	Glock	F41A 3/66 42/75.02
8,584,390	B1 *	11/2013	Fraher	F41C 23/10 42/71.02
D729,895	S *	5/2015	Porat	D22/108
D732,629	S *	6/2015	Wolf	D22/108
D742,985	S *	11/2015	Hudson, III	D22/104
D744,049	S *	11/2015	Chu	D21/574
D755,907	S *	5/2016	Hu	D21/574
D758,519	S *	6/2016	Toner	D22/108
D777,871	S *	1/2017	Niswander	D22/108
D800,243	S *	10/2017	Niswander	D22/108

(Continued)

OTHER PUBLICATIONS

YouTube.com—Musty Yeti, Strike Industries Glock Slide Mods Triggrecon 2018, Publication date Jul. 28, 2018, [site visited Oct. 1, 2019, Available on the Internet URL https://www.youtube.com/watch?v=tcKwOc6bhhE (Year: 2018).*

(Continued)

Primary Examiner — Karen S Acker

Assistant Examiner — Steven B Reinholdt, Jr.

(74) *Attorney, Agent, or Firm* — Kafantaris Law Offices; Theo Kafantaris

(57) **CLAIM**

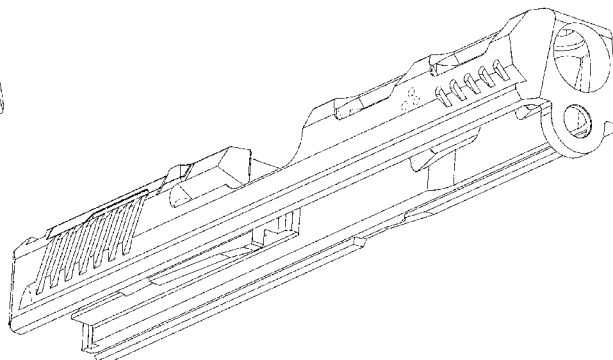
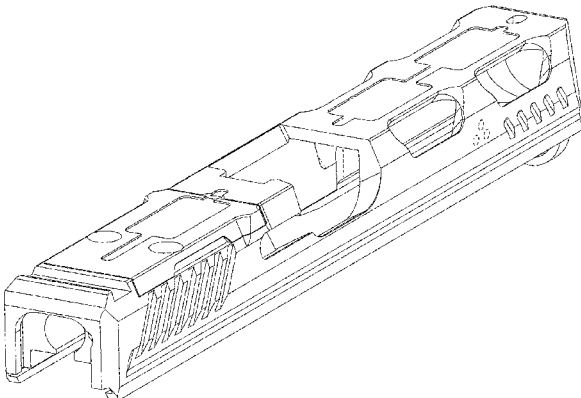
I claim the ornamental design for a handgun slide, as shown and described.

DESCRIPTION

FIG. 1 is a top plan view of the handgun slide showing my new design;
FIG. 2 is a left-side elevational view thereof;
FIG. 3 is a top rear, left-side perspective view thereof;
FIG. 4 is a bottom rear, left-side perspective view thereof;
FIG. 5 is a top front, left-side perspective view thereof;
FIG. 6 is a bottom front, left-side perspective view thereof;
FIG. 7 is a top rear, right-side perspective view thereof;
FIG. 8 is a bottom rear, right-side perspective view thereof;
FIG. 9 is a top front, right-side perspective view thereof;
FIG. 10 is bottom front, right-side perspective view thereof;
FIG. 11 is an enlarged rear elevational view thereof;
FIG. 12 is an enlarged front elevational view thereof; and,
FIG. 13 is a bottom plan view thereof.

The broken lines in the drawings depict unclaimed portions of the handgun slide only and form no part of the claimed design.

1 Claim, 13 Drawing Sheets



(56)

References Cited

U.S. PATENT DOCUMENTS

D815,233	S *	4/2018	Toner	D22/104
9,970,727	B2 *	5/2018	Niswander	F41A 21/36
D824,478	S *	7/2018	Shelton	D22/108
D860,375	S *	9/2019	Chavez	D22/109
2016/0047613	A1 *	2/2016	Hudson, III	F41A 3/86 42/14

OTHER PUBLICATIONS

The Firearm Blog.com, Strike Industries ARK Slide For Gen 3 Glock 19 Pistols, Publication date Aug. 27, 2019, [site visited Oct. 1, 2019], Available on the Internet URL <https://www.thefirearmblog.com/blog/2019/08/27/strike-industries-ark-slide-for-gen-3-glock-19-pistols/> (Year: 2019).*

* cited by examiner

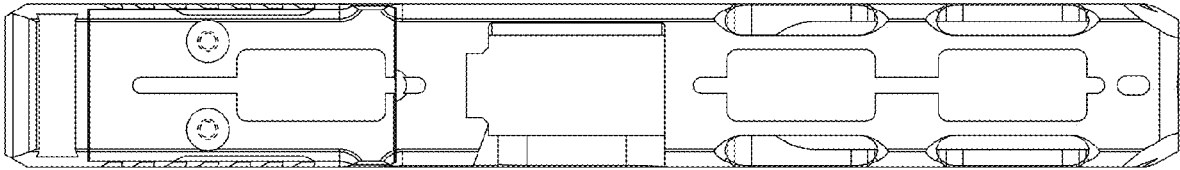


FIG. 1

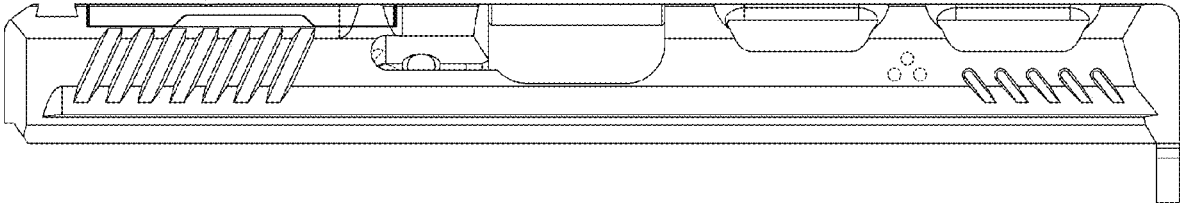


FIG. 2

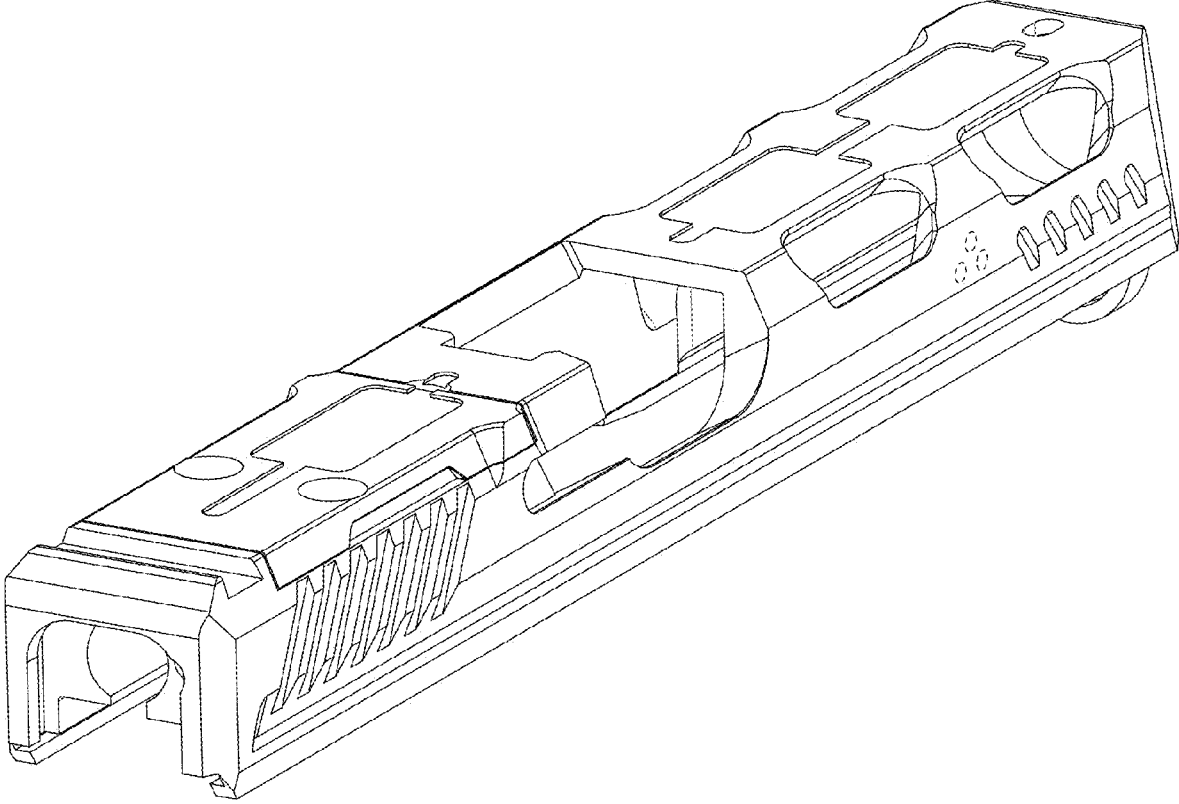


FIG. 3

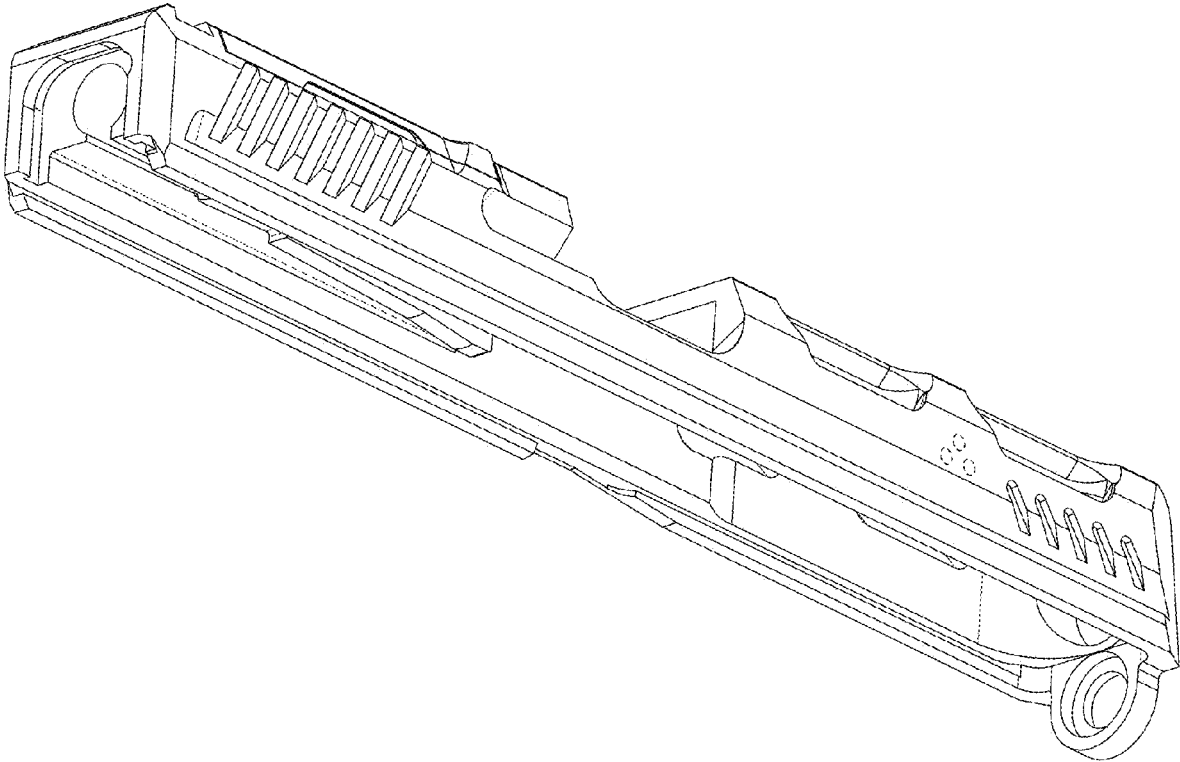


FIG. 4

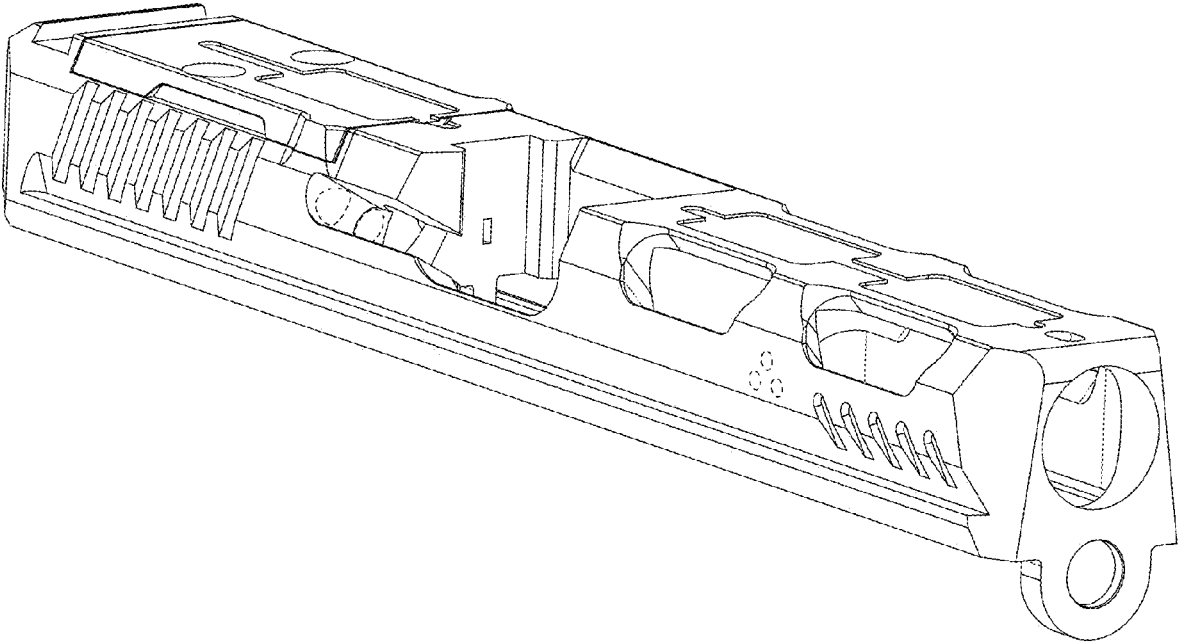


FIG. 5

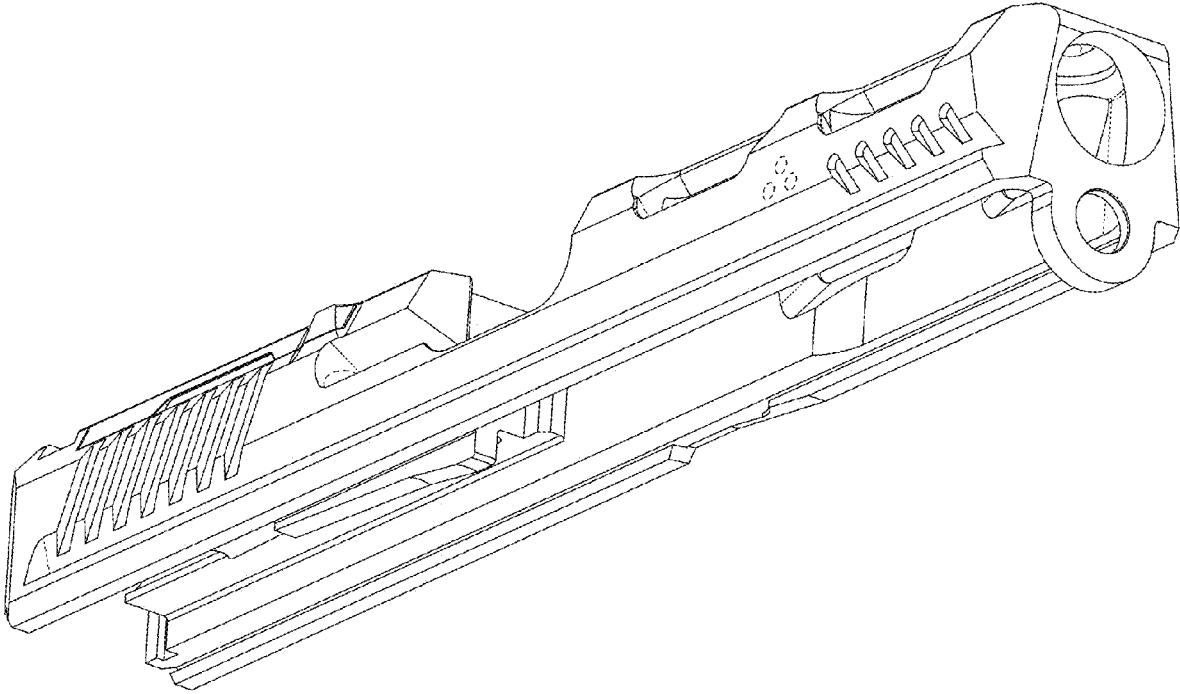


FIG. 6

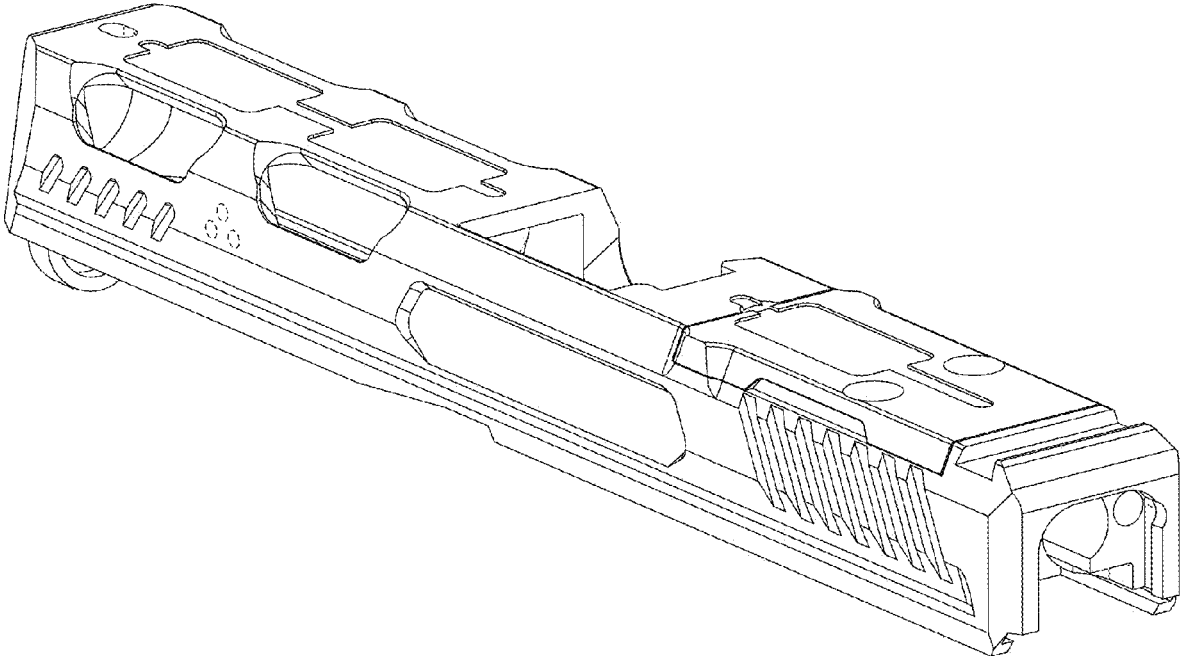


FIG. 7

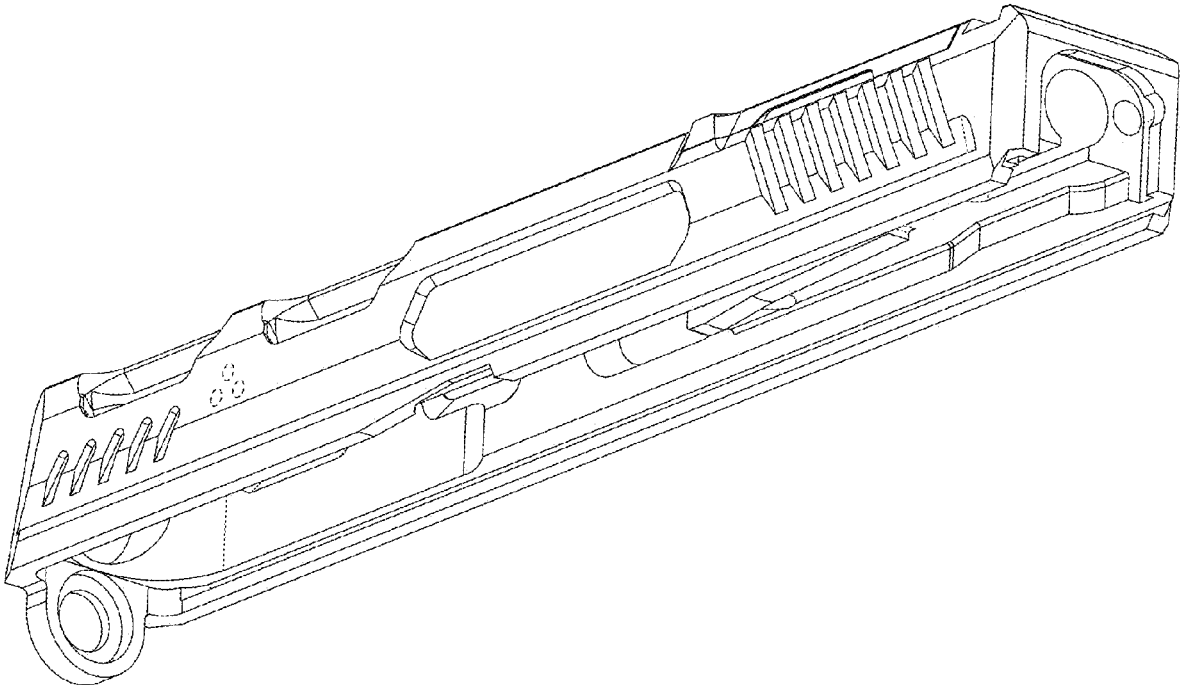


FIG. 8

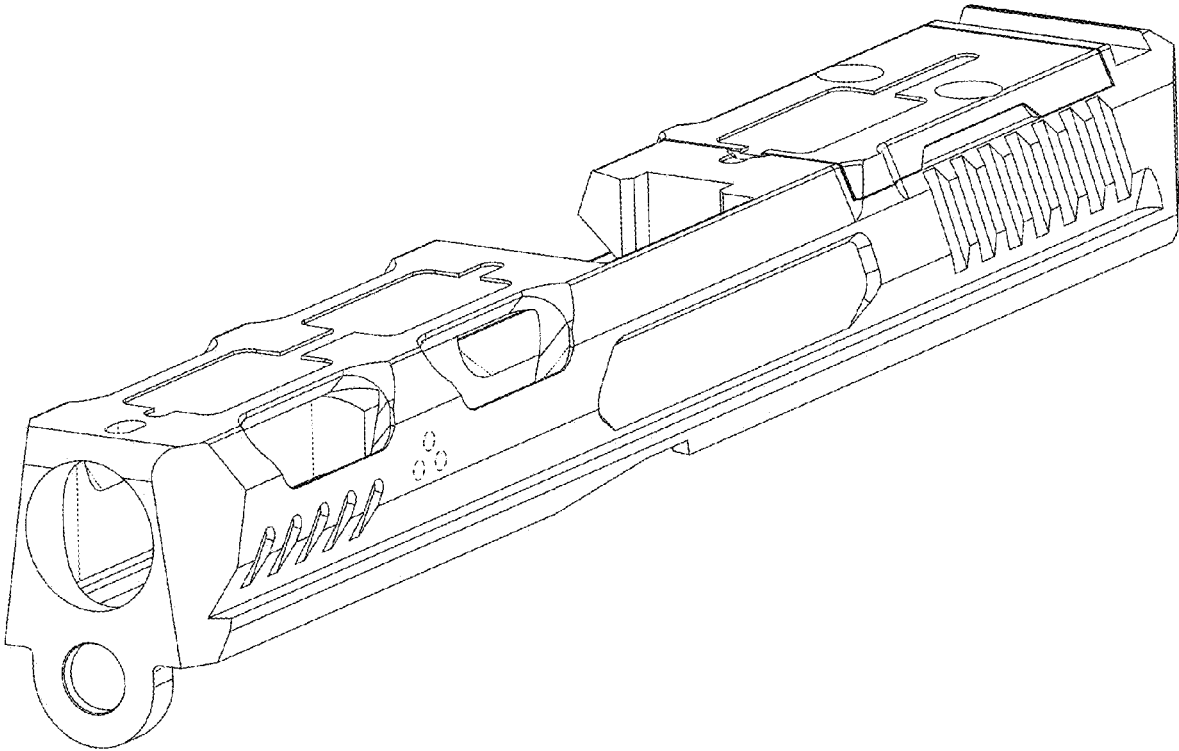


FIG. 9

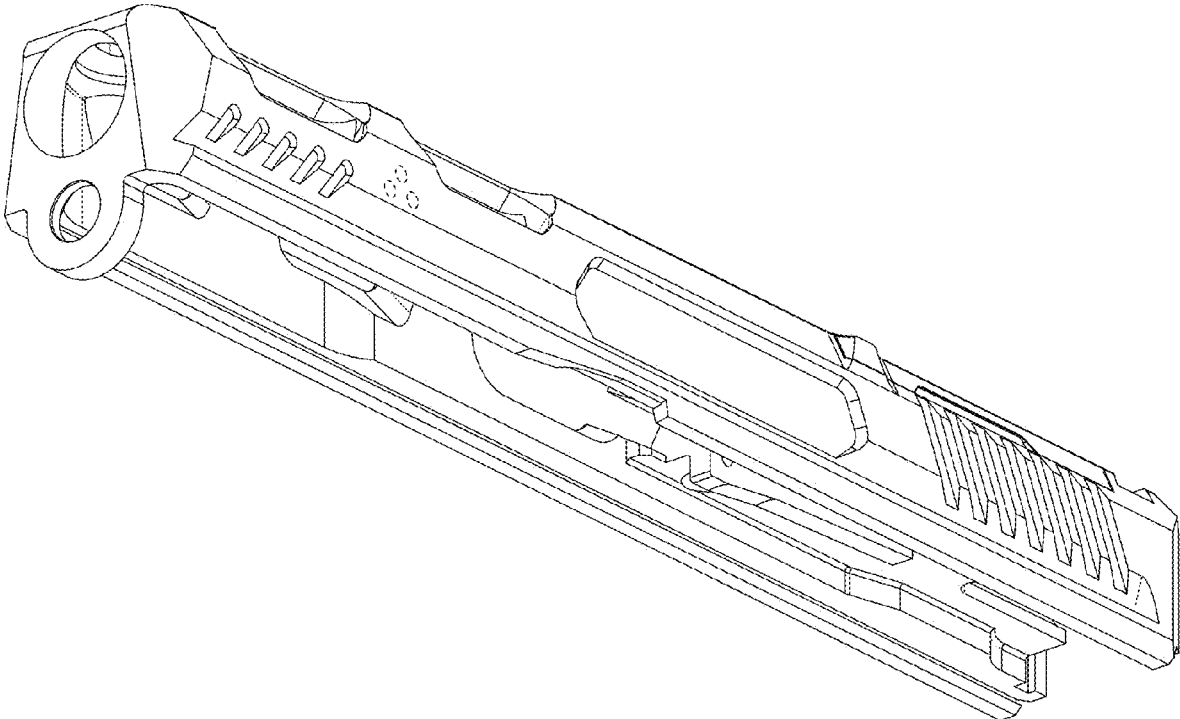


FIG. 10

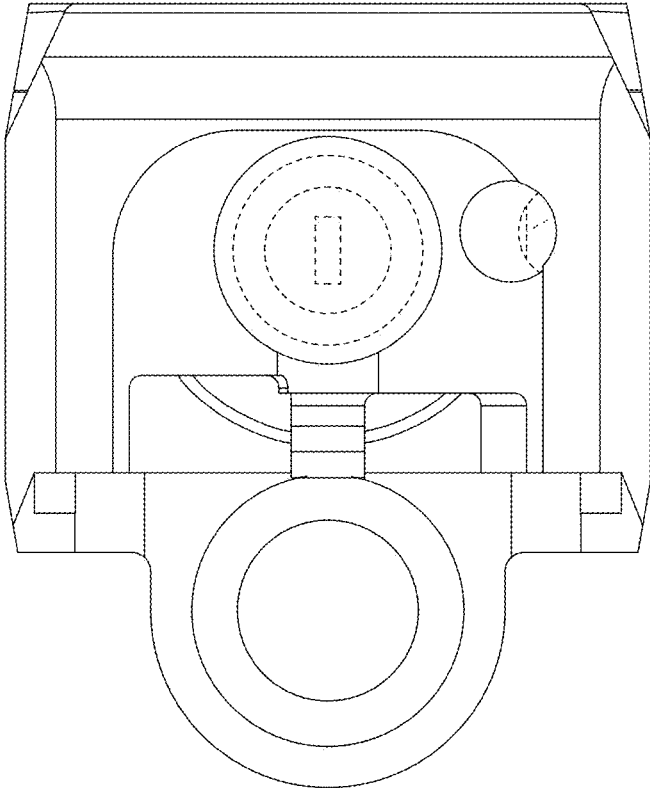


FIG. 11

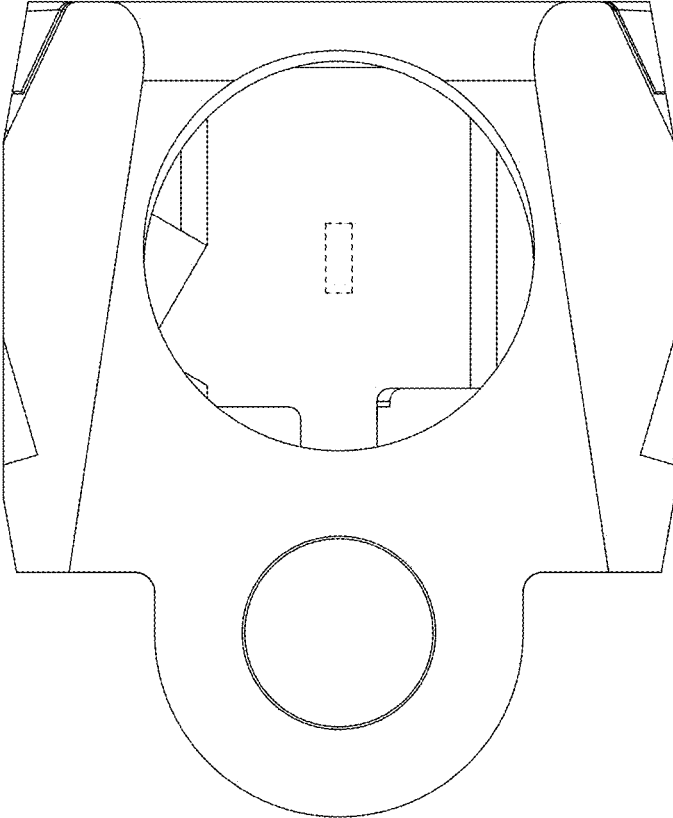


FIG. 12

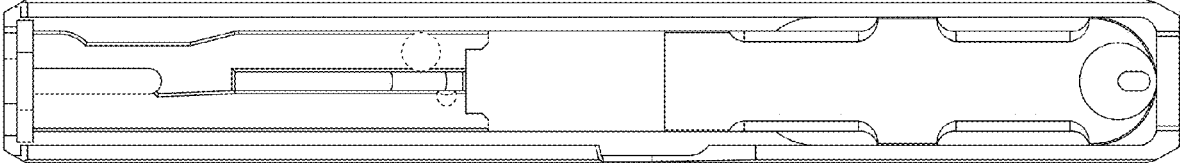


FIG. 13