



US00D944881S

(12) **United States Design Patent**
Li

(10) **Patent No.:** **US D944,881 S**

(45) **Date of Patent:** **** Mar. 1, 2022**

(54) **BATTERY CAMERA**

(71) Applicant: **EKEN ELECTRONICS LIMITED,**
Hongkong (CN)

(72) Inventor: **Fuchang Li,** Hongkong (CN)

(**) Term: **15 Years**

(21) Appl. No.: **29/750,177**

(22) Filed: **Sep. 11, 2020**

(30) **Foreign Application Priority Data**

Aug. 24, 2020 (CN) 202030489137.4

(51) **LOC (13) Cl.** **16-01**

(52) **U.S. Cl.**
USPC **D16/203**

(58) **Field of Classification Search**

USPC D16/200–204, 208, 218, 219; D10/106.2,
D10/106.3, 106.5, 118.1, 118.2; 348/143,
348/148, 151, 360, 373–376; 396/419,
396/427–429, 433, 529, 535, 537–541
CPC G03B 15/03; G03B 17/02; G03B 17/04;
G03B 17/48; G03B 17/56; G03B 19/04;
G08G 1/0175; H04N 5/2251; H04N
5/2252; H04N 5/2253; H04N 5/2254
See application file for complete search history.

(56) **References Cited**

U.S. PATENT DOCUMENTS

D794,694 S * 8/2017 Liu D16/203
D863,404 S * 10/2019 Karpenko D16/218

D871,483 S * 12/2019 Chang D16/203
D879,178 S * 3/2020 Tang D16/218
D894,994 S * 9/2020 Yu D16/218
D896,863 S * 9/2020 Tu D16/203
D898,802 S * 10/2020 Liu D16/218
D899,482 S * 10/2020 Li D16/203
D906,398 S * 12/2020 Wang D16/203
D906,399 S * 12/2020 Wang D16/203
D908,765 S * 1/2021 Wang D16/203
D916,166 S * 4/2021 Li D16/203
D926,242 S * 7/2021 Lu D16/203

* cited by examiner

Primary Examiner — Ramzi Almatrahi

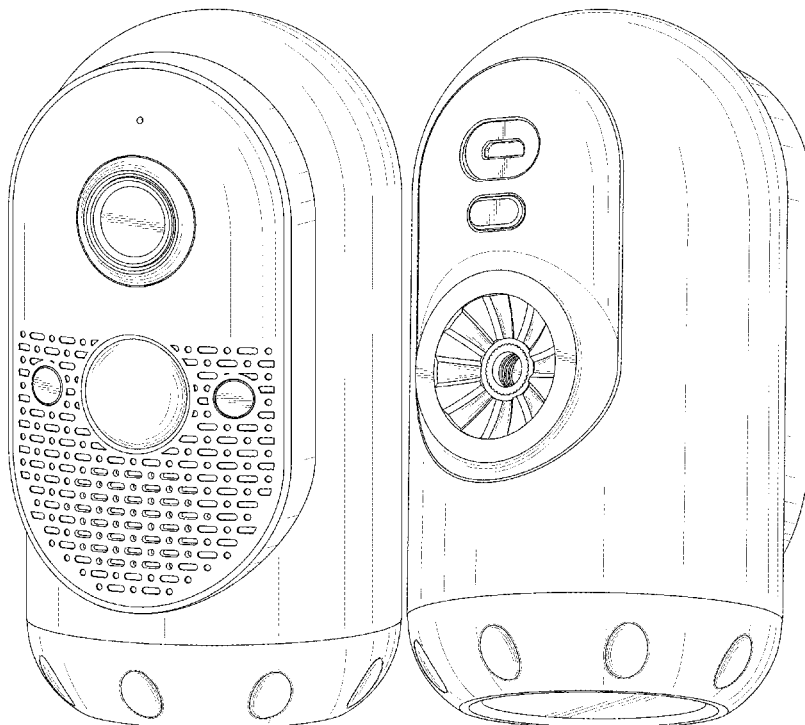
(57) **CLAIM**

The ornamental design for a battery camera, as shown and described.

DESCRIPTION

FIG. 1 is a top, front and right side perspective view of a battery camera showing my new design;
FIG. 2 is a bottom, rear and left side perspective view thereof;
FIG. 3 is a front view thereof;
FIG. 4 is a rear view thereof;
FIG. 5 is a left side view thereof;
FIG. 6 is a right side view thereof;
FIG. 7 is a top plan view thereof; and,
FIG. 8 is a bottom plan view thereof.
The broken lines in the figures illustrate portions of the battery camera that form no part of the claimed design.

1 Claim, 8 Drawing Sheets



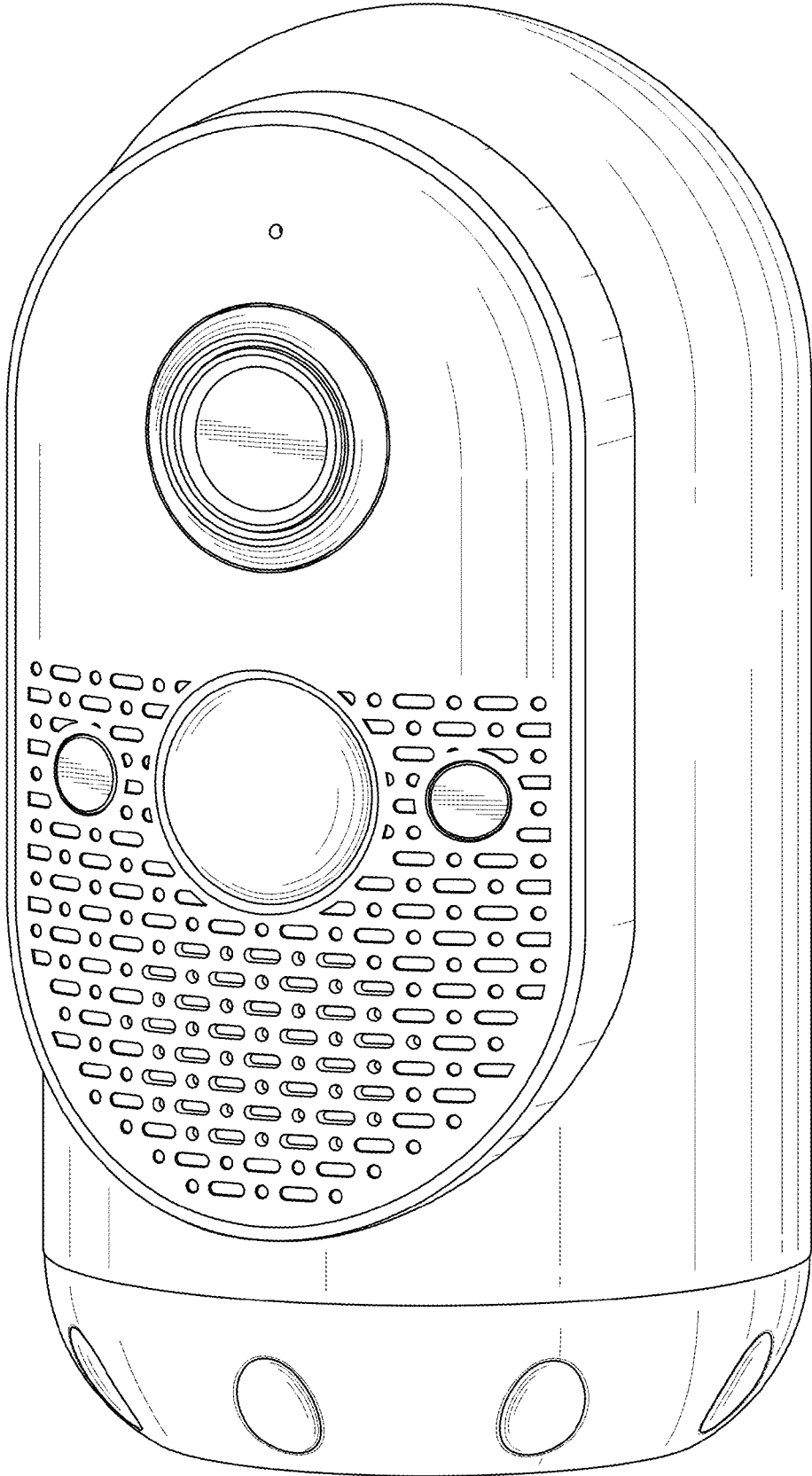


FIG. 1

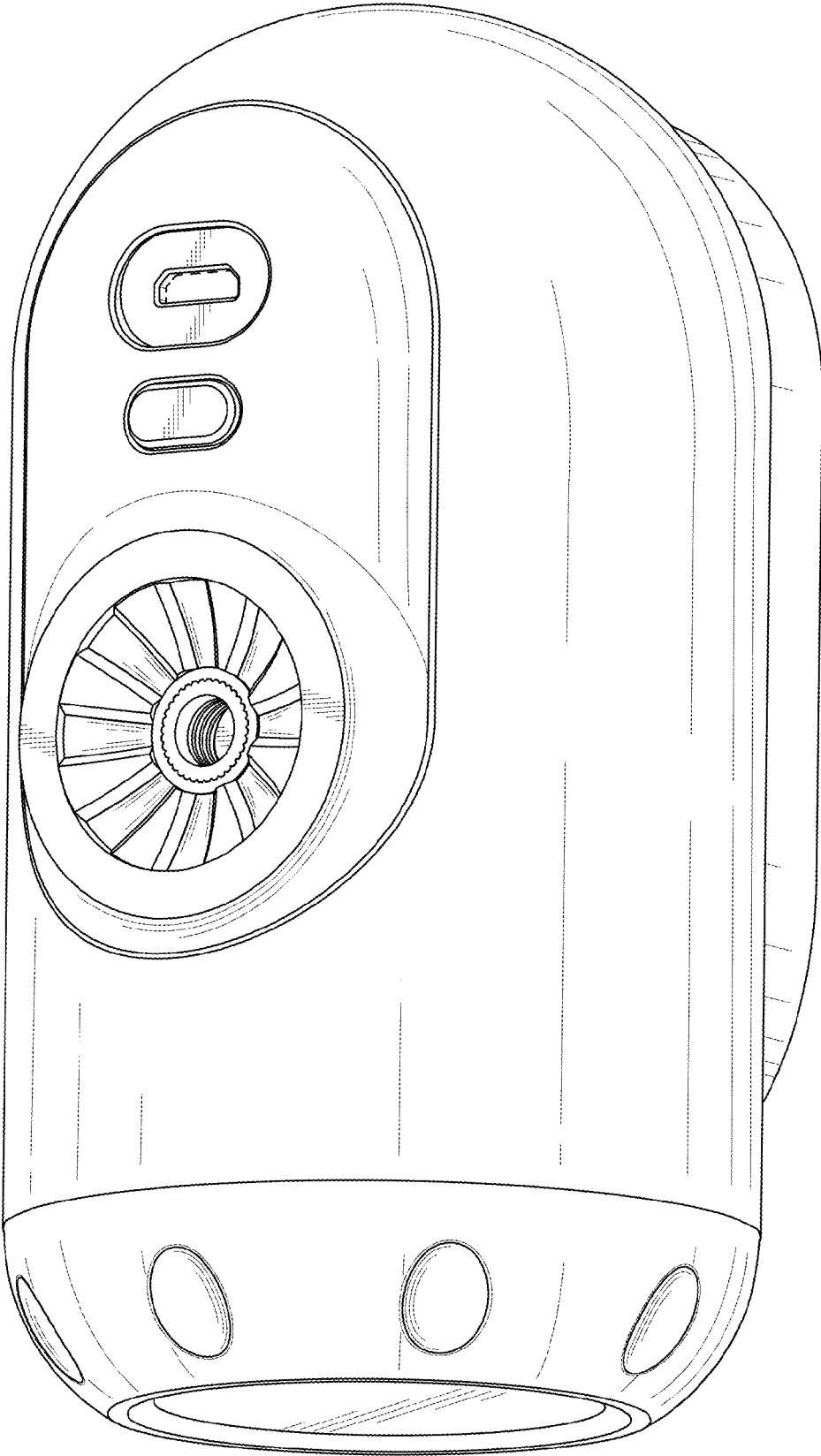


FIG. 2

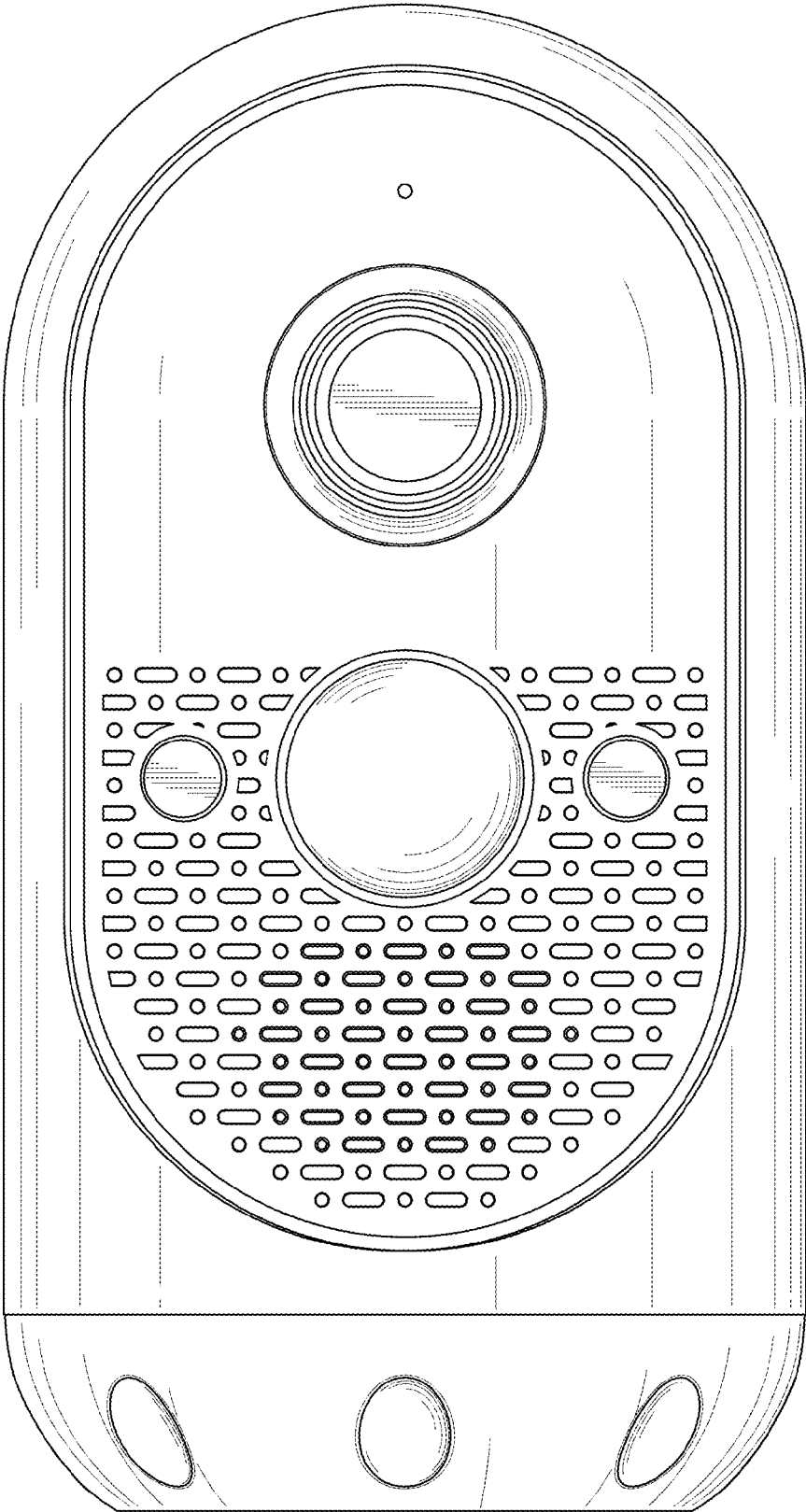


FIG. 3

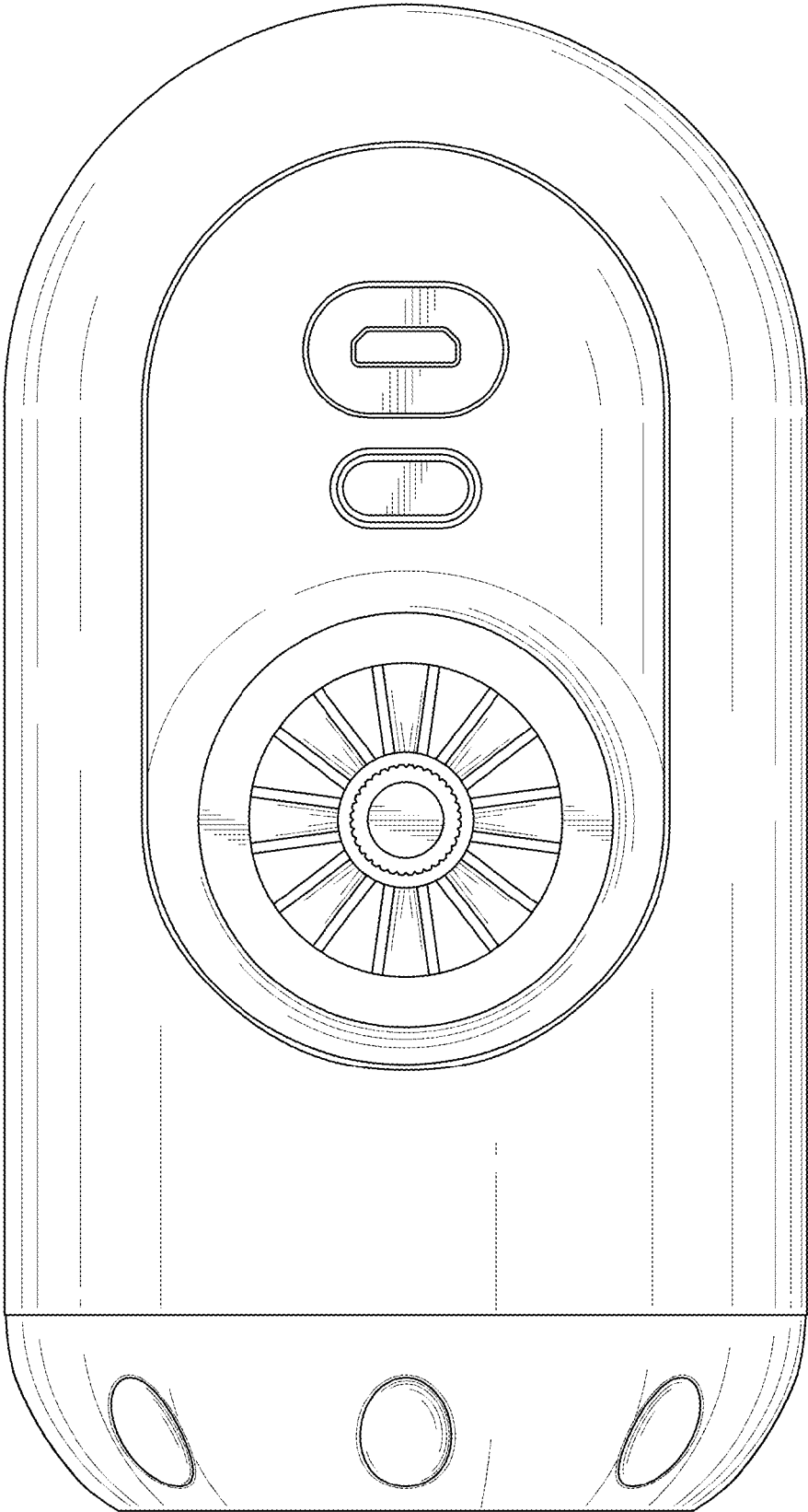


FIG. 4

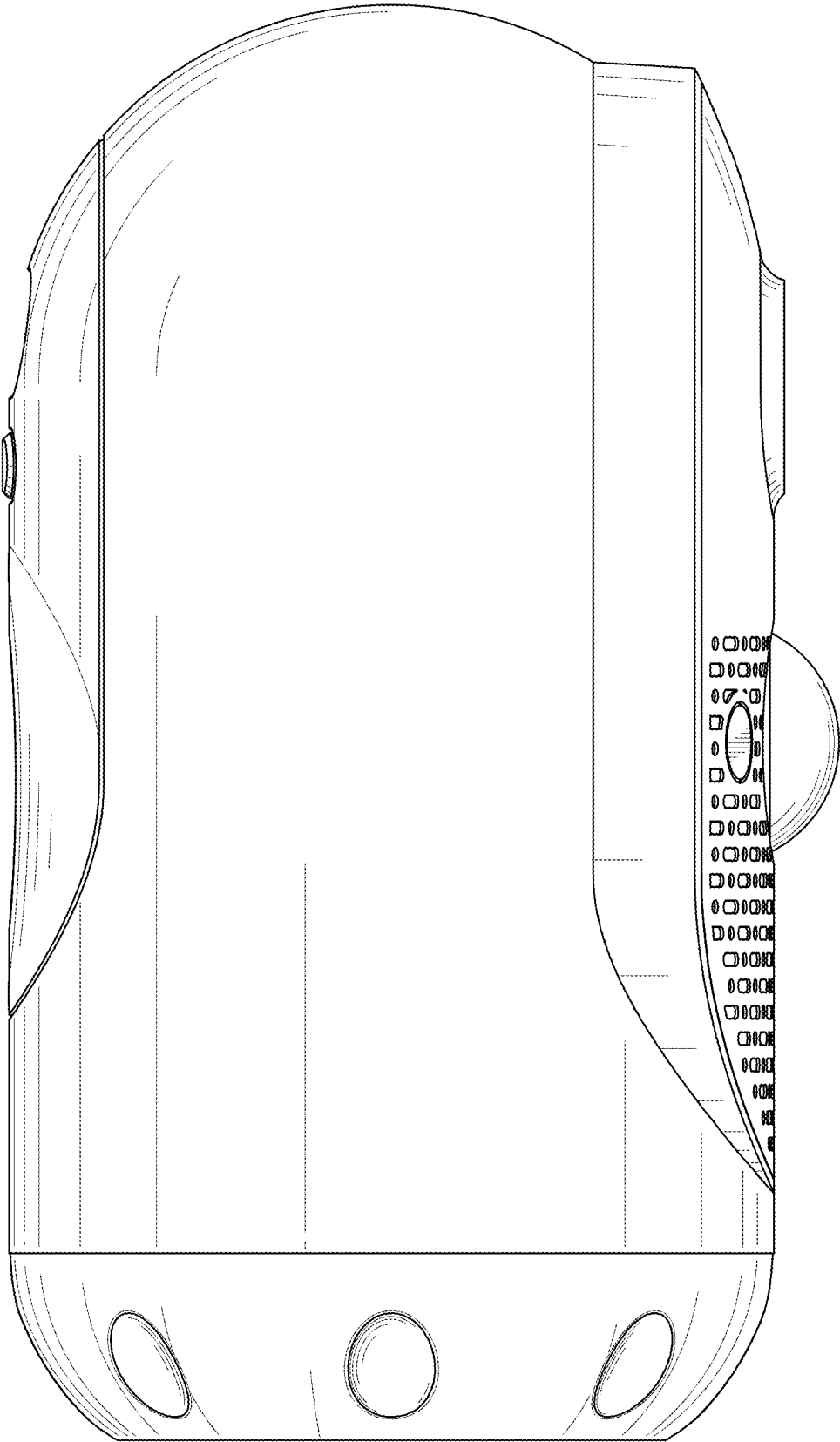


FIG. 5

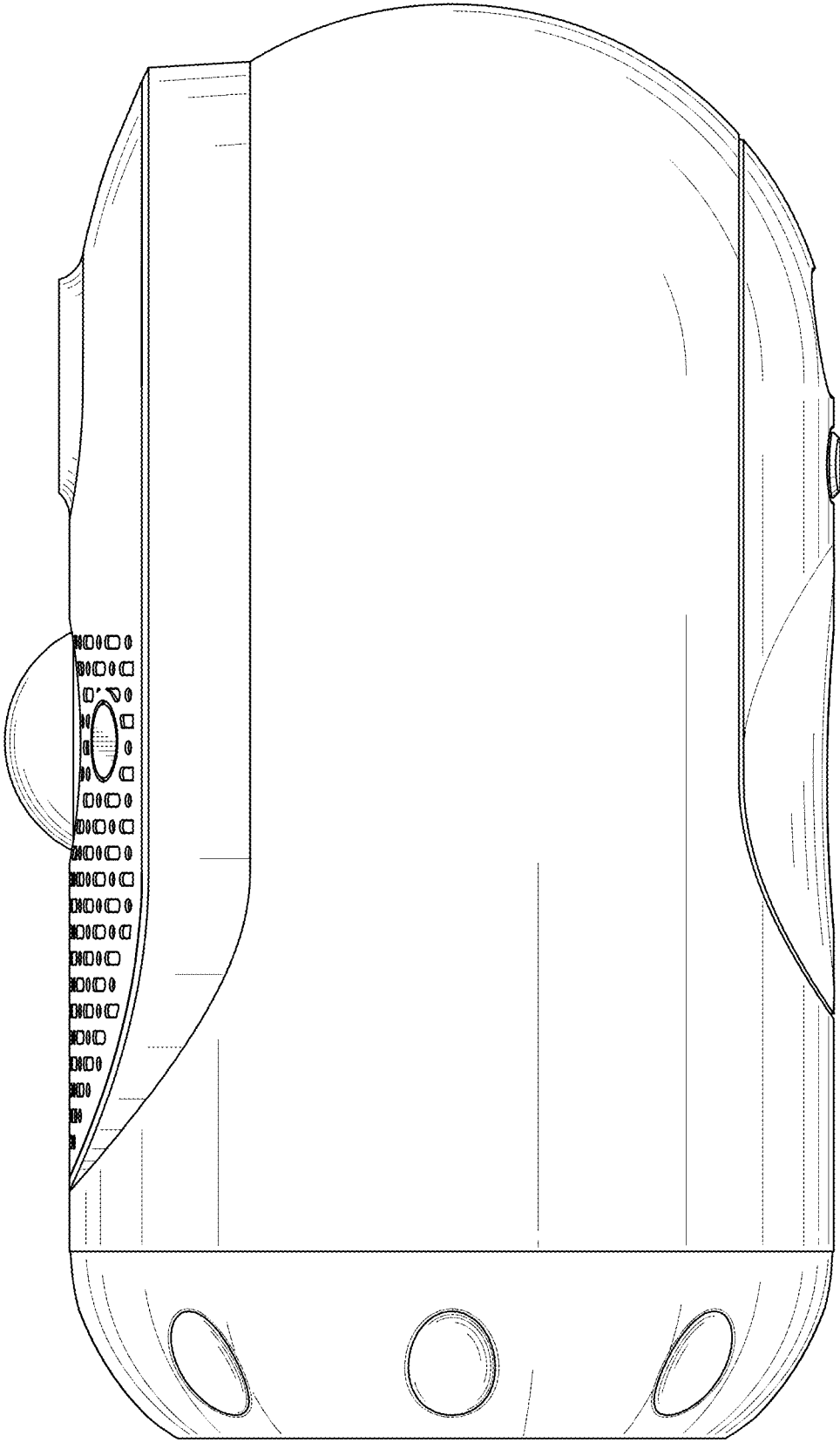


FIG. 6

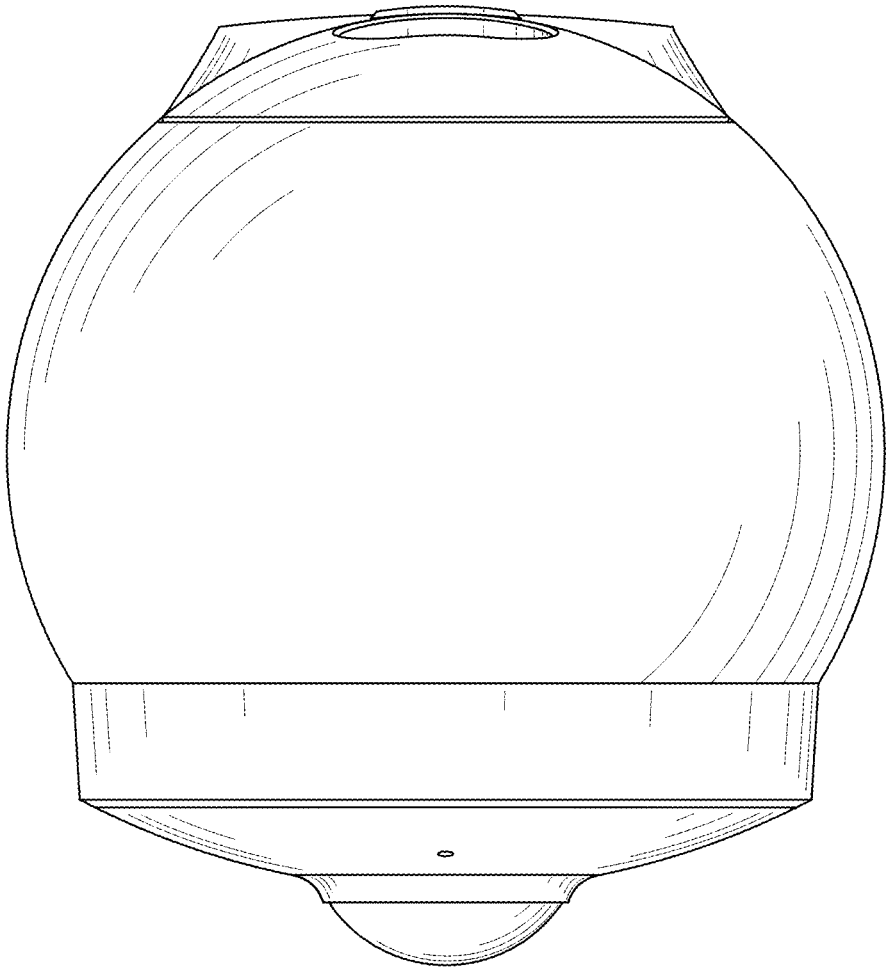


FIG. 7

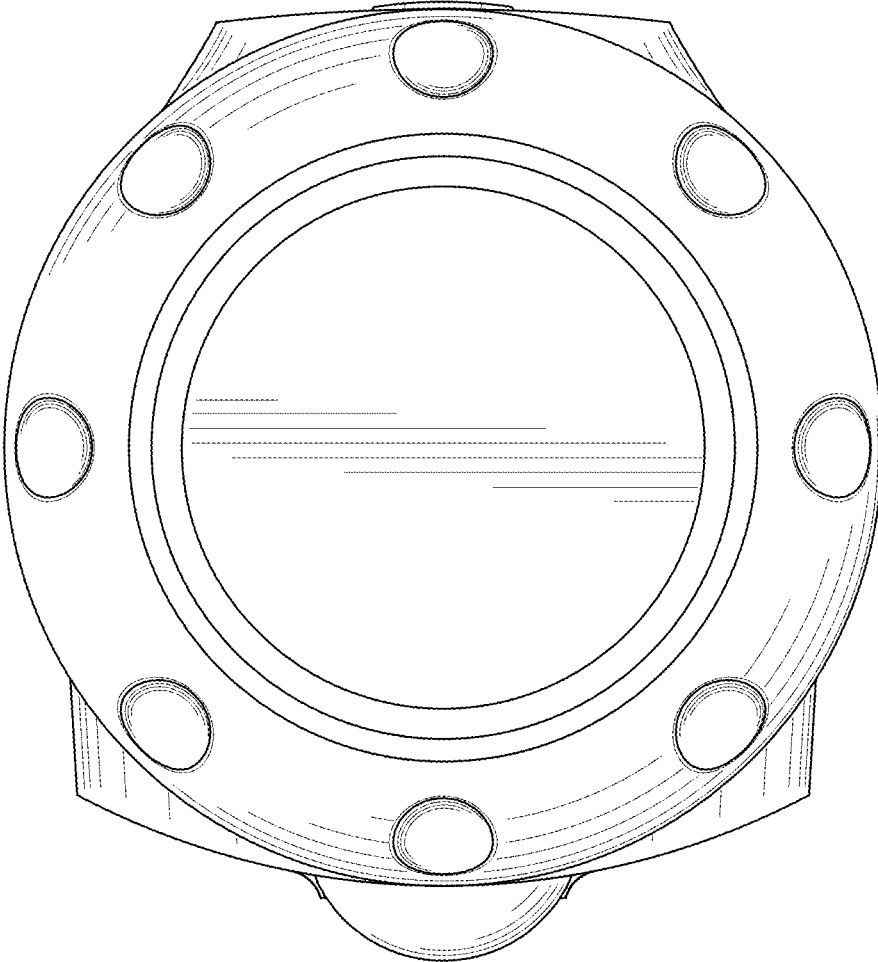


FIG. 8