

[54] CORDLESS HANDSET TELEPHONE

[75] Inventor: David A. Sharbaugh, Irvine, Calif.

[73] Assignee: PhoneMate, Torrance, Calif.

[\*\*] Term: 14 Years

[21] Appl. No.: 437,974

[22] Filed: Nov. 16, 1989

[52] U.S. Cl. .... D14/138; D14/148; D14/248

[58] Field of Search ..... D14/248, 147, 138, 148, D14/151; 379/433, 58, 59, 435, 440; 455/89, 90

[56] References Cited

U.S. PATENT DOCUMENTS

D. 286,877	4/1986	Powell	.....	D14/148 X
D. 298,033	10/1988	Hotsumi et al.	.....	D14/147 X
D. 298,036	10/1988	Watanabe	.....	D14/138
D. 298,751	11/1988	Shim	.....	D14/147 X
D. 299,026	12/1988	Ieno	.....	D14/148
D. 302,156	7/1989	Takahashi et al.	.....	D14/248 X
D. 305,888	2/1990	Bevilacqua	.....	D14/147 X
D. 306,291	2/1990	Watanabe et al.	.....	D14/138
D. 309,898	8/1990	Azperitia	.....	D14/148

D. 310,366	9/1990	Akailke et al.	.....	D14/148 X
3,521,008	7/1970	Tyson	.....	D14/148 X

OTHER PUBLICATIONS

Electronics, Jun., 1990; Motorola's Cellular Telephone; Model Micro T-A.

Primary Examiner—Horace B. Fay, Jr.  
Attorney, Agent, or Firm—Lewis Anten

[57] CLAIM

The ornamental design for a cordless handset telephone, as shown and described.

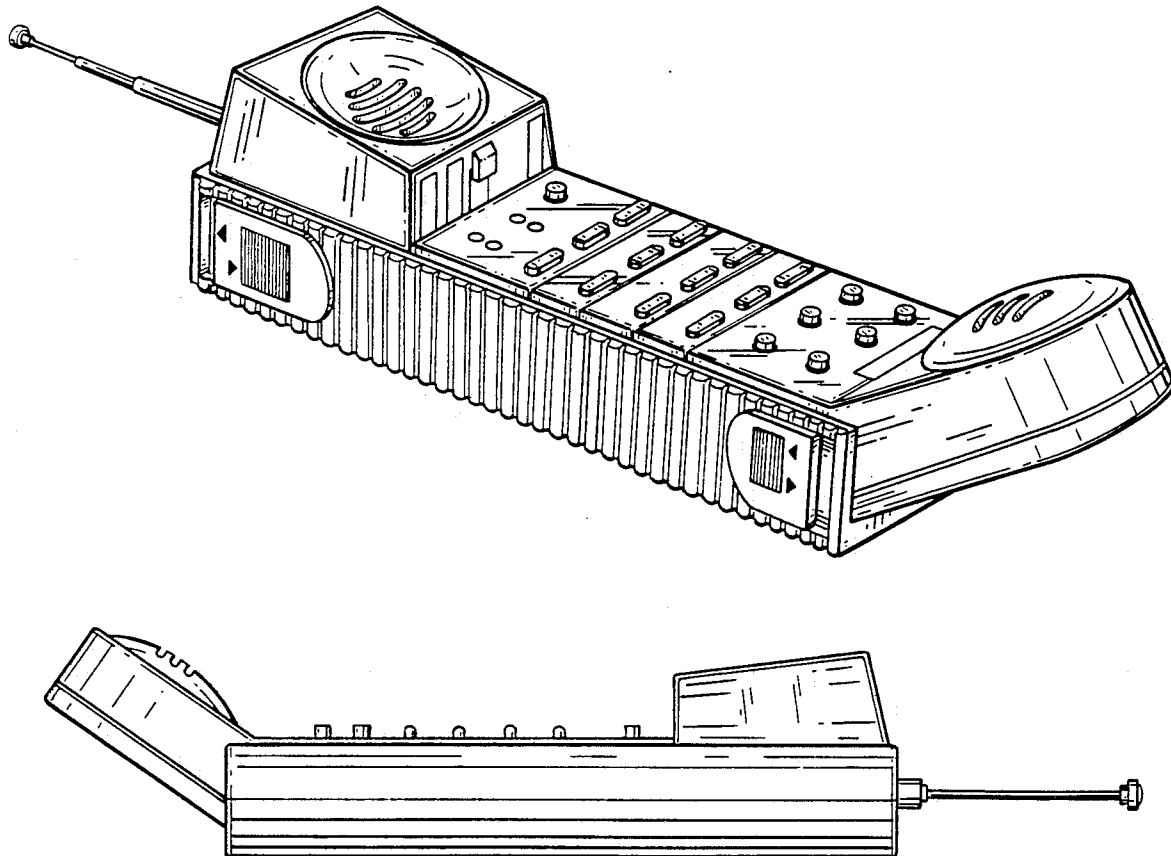
DESCRIPTION

FIG. 1 is a left side, front and bottom perspective view of a cordless handset telephone showing my new design, with antenna extended;

FIGS. 2 and 3 are respectively front and rear elevational views thereof; with antenna contracted;

FIGS. 4 and 5 are respectively left and right side elevational views thereof, with antenna partially contracted; and

FIGS. 6 and 7 are respectively bottom and top plan view thereof.



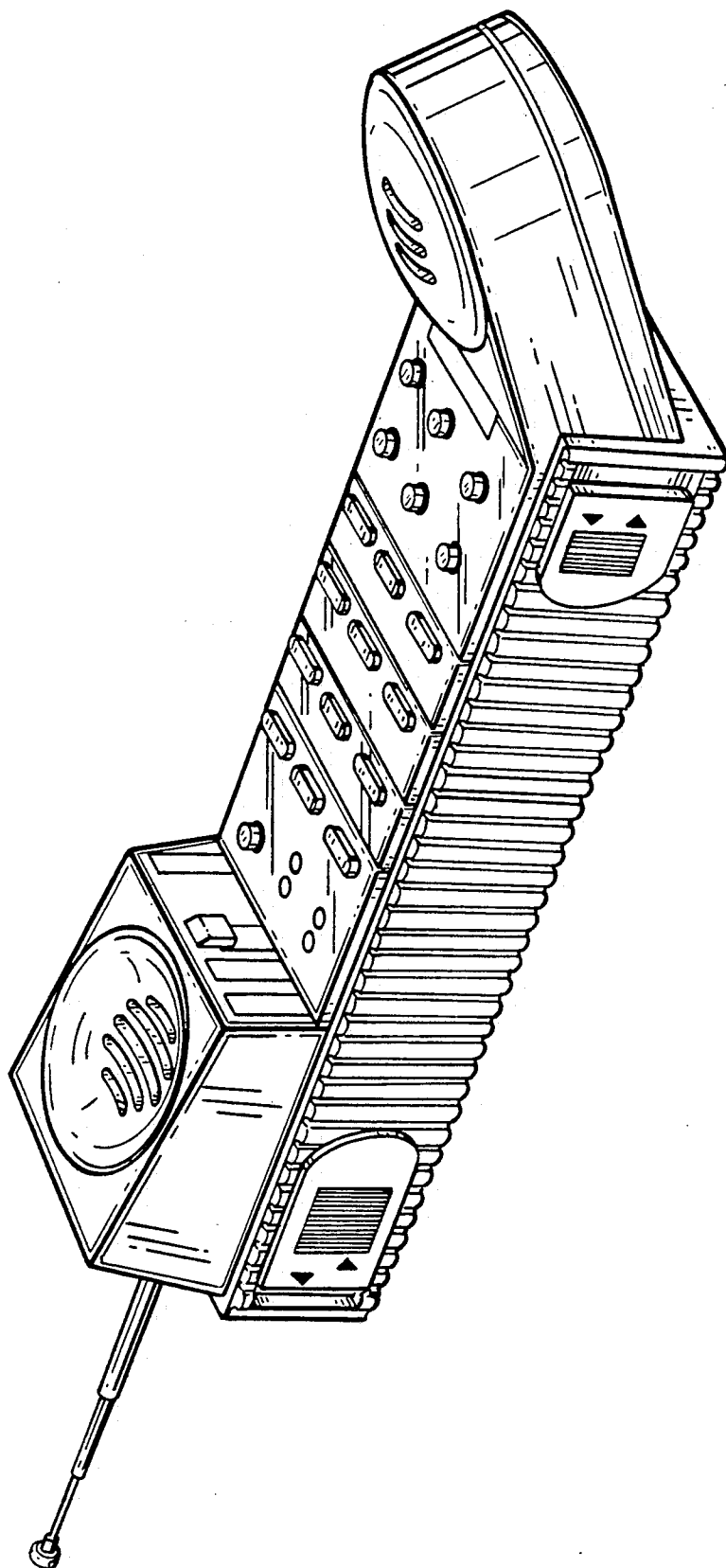


FIG.1

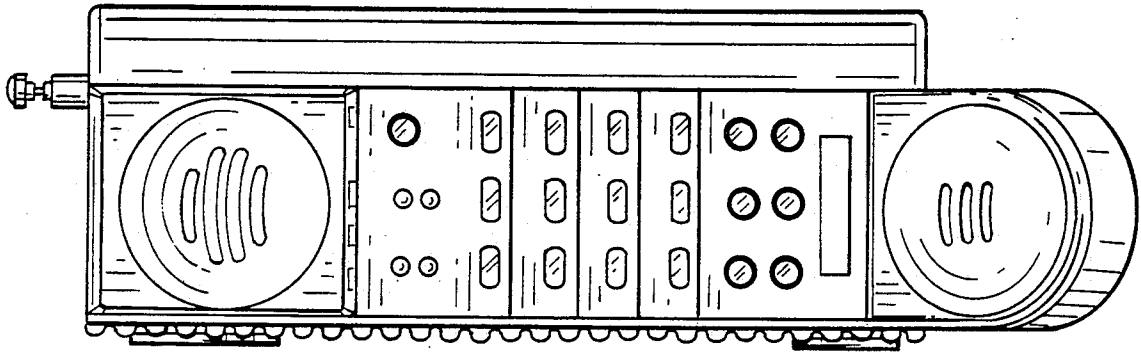


FIG. 2

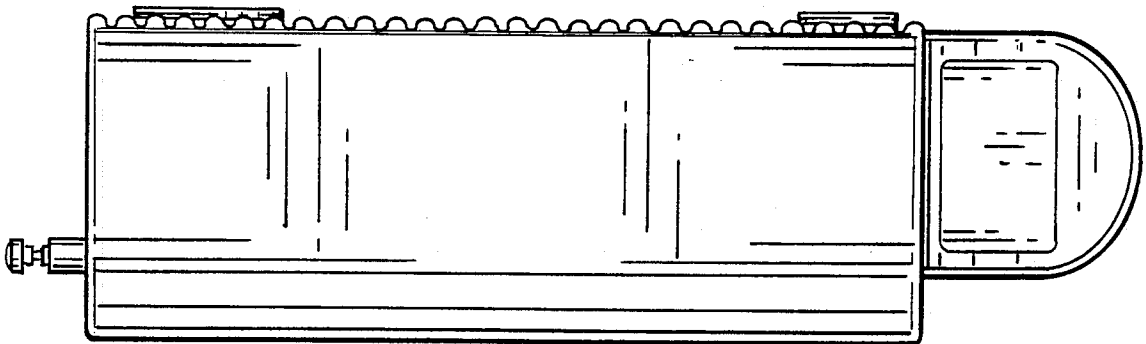


FIG. 3

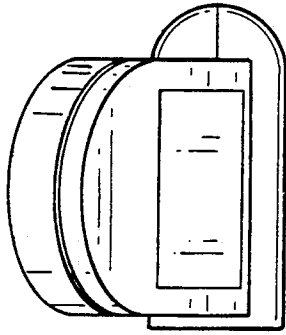


FIG. 6

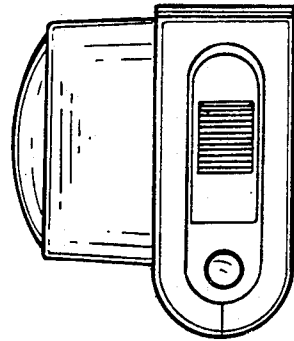


FIG. 7

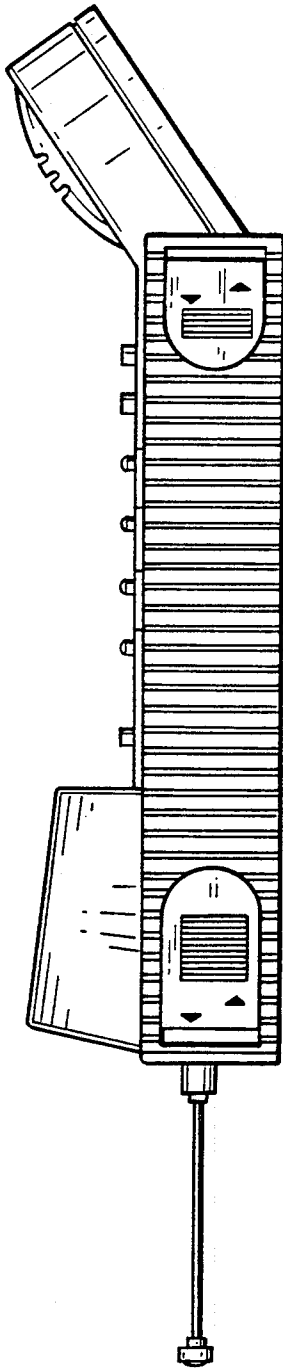


FIG. 4

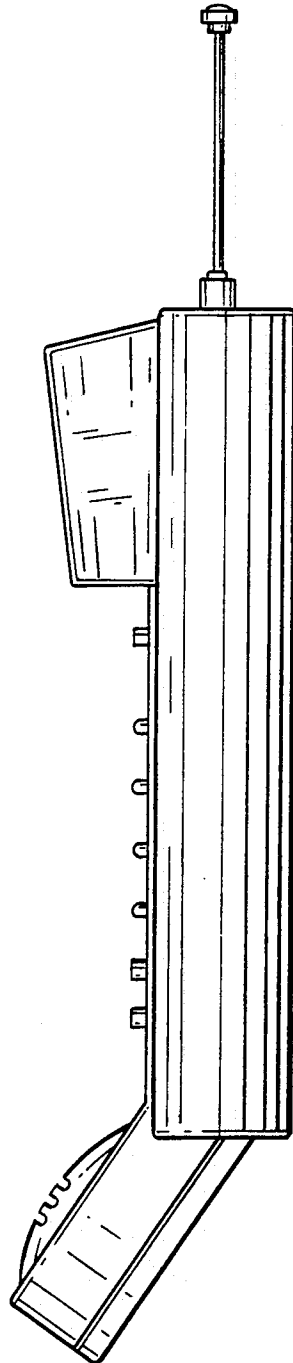


FIG. 5