



US00D825134S

(12) **United States Design Patent**  
**Birnie**

(10) **Patent No.:** **US D825,134 S**

(45) **Date of Patent:** **\*\* Aug. 7, 2018**

- (54) **SELF-SERVICE TERMINAL**
- (71) Applicant: **NCR Corporation**, Duluth, GA (US)
- (72) Inventor: **Steven J. Birnie**, Dundee (GB)
- (73) Assignee: **NCR Corporation**, Atlanta, GA (US)
- (\*\*) Term: **15 Years**
- (21) Appl. No.: **29/602,581**
- (22) Filed: **May 2, 2017**
- (51) **LOC (11) Cl.** ..... **99-00**
- (52) **U.S. Cl.**  
USPC ..... **D99/28**
- (58) **Field of Classification Search**  
USPC ..... D99/28, 34, 35, 36, 43, 99;  
D14/300-302, 305, 307, 900-902;  
D18/3.1-3.3, 4.1-4.6, 12.1-12.3;  
D21/324, 325, 329, 369, 370; 101/66;  
109/1 R, 1 V, 2, 23, 24.1, 25, 58, 58.5,  
109/66; 446/8-13; 705/16, 17, 18, 42,  
705/43, 44, 45; 235/51, 379, 380, 381,  
235/382, 382.5, 386; 206/0.8, 0.81,  
206/0.815, 0.82, 0.84  
CPC .. G06Q 20/10; G06Q 20/108; G06Q 20/1085;  
G06Q 20/18; G07D 1/00; G07D 1/02;  
G07D 1/04; G07D 1/06; G07D 11/00;  
G07D 9/002; G07D 9/04; G07F 19/20;  
G07F 19/201; G07F 19/202; G07F  
19/203; G07F 19/204; G07F 19/105;  
G07F 19/21; G07F 19/00; G07F 7/04;  
G07F 5/00; G07F 1/00; E05G 7/001;  
E05G 1/006; A63H 33/00; A63H 33/005  
See application file for complete search history.

- D388,229 S \* 12/1997 Couch ..... D18/4.6
- 5,721,420 A \* 2/1998 May ..... G06K 13/08  
235/379
- D395,129 S \* 6/1998 Johnson ..... D14/130
- D415,330 S \* 10/1999 King ..... D14/900
- D419,277 S \* 1/2000 Ishii ..... D99/28
- D427,742 S \* 7/2000 McCormack ..... D99/28
- D429,401 S \* 8/2000 Sato ..... D99/28
- D430,379 S \* 8/2000 Massey ..... D99/28
- D431,708 S \* 10/2000 McCormack ..... D14/900
- 7,191,948 B1 \* 3/2007 Baitz ..... A63F 3/064  
235/435
- D618,875 S \* 6/2010 Tougo ..... D18/3.3
- D626,544 S \* 11/2010 Bleck ..... D14/307
- D626,545 S \* 11/2010 Bleck ..... D14/307
- 8,365,868 B2 \* 2/2013 Johnson ..... A47F 10/02  
186/52
- D689,665 S \* 9/2013 Pollmann ..... D99/28
- D707,012 S \* 6/2014 Swaine ..... D99/28
- D708,814 S \* 7/2014 Lee ..... D99/28
- D709,264 S \* 7/2014 Lee ..... D99/28
- D721,215 S \* 1/2015 Lee ..... D99/28

(Continued)

*Primary Examiner* — Elizabeth J Oswecki  
(74) *Attorney, Agent, or Firm* — Paul W. Martin

(57) **CLAIM**

The ornamental design for a self-service terminal, as shown and described.

**DESCRIPTION**

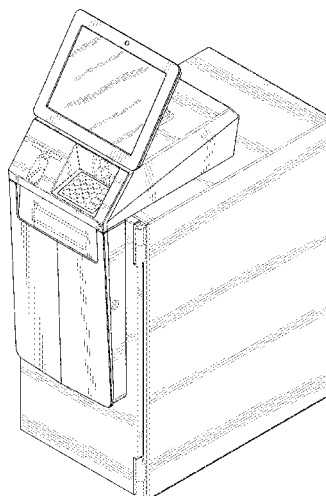
FIG. 1 is a perspective view of a self-service terminal showing our new design;  
FIG. 2 is a right side view thereof;  
FIG. 3 is a left side view thereof;  
FIG. 4 is a front view thereof;  
FIG. 5 is a rear view thereof;  
FIG. 6 is a top view thereof; and,  
FIG. 7 is a bottom view thereof.

**1 Claim, 6 Drawing Sheets**

(56) **References Cited**

**U.S. PATENT DOCUMENTS**

- 5,229,757 A \* 7/1993 Takamiya ..... F16M 11/10  
235/145 R
- D347,930 S \* 6/1994 Hunter ..... D99/28



(56)

**References Cited**

## U.S. PATENT DOCUMENTS

D732,263	S *	6/2015	Budde	.....	D99/28
D749,290	S *	2/2016	Pollmann	.....	D99/28
D756,064	S *	5/2016	Budde	.....	D99/28
D757,389	S *	5/2016	Lee	.....	D99/28
D769,569	S *	10/2016	Kennedy	.....	D99/28
D769,571	S *	10/2016	Lee	.....	D99/28
D769,572	S *	10/2016	Park	.....	D99/28
D779,148	S *	2/2017	Lee	.....	D99/28
D779,770	S *	2/2017	Park	.....	D99/28
D782,147	S *	3/2017	Lee	.....	D99/28
D782,148	S *	3/2017	Rohan	.....	D99/28
D792,049	S *	7/2017	Oh	.....	D99/28
D803,507	S *	11/2017	Park	.....	D99/28
2004/0262379	A1 *	12/2004	Gomes	.....	G06Q 30/06 235/379
2008/0296365	A1 *	12/2008	Schliebe	.....	G01G 19/52 235/379
2010/0161489	A1 *	6/2010	Goodall	.....	G06Q 20/042 705/45

\* cited by examiner

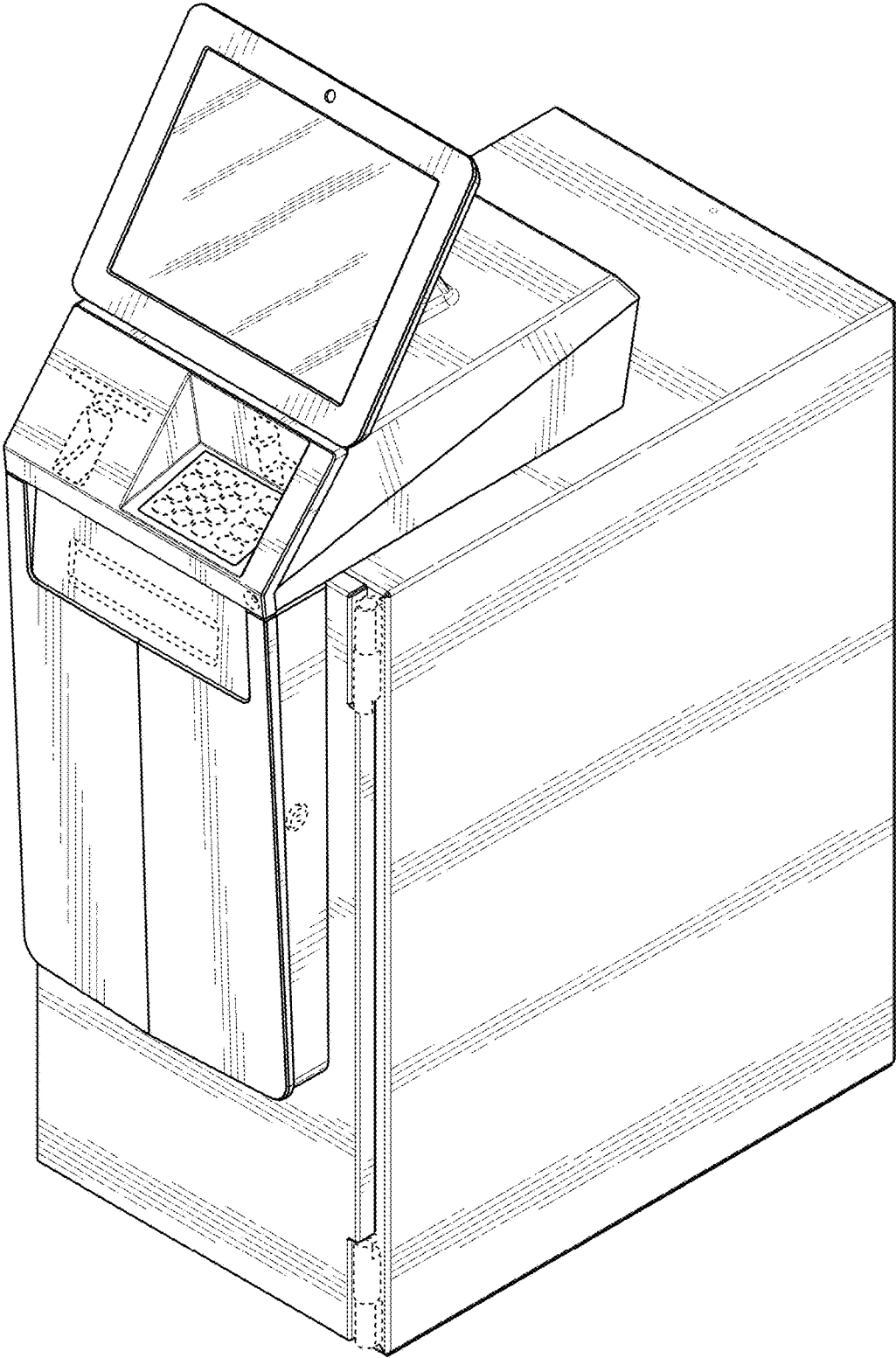


FIG. 1

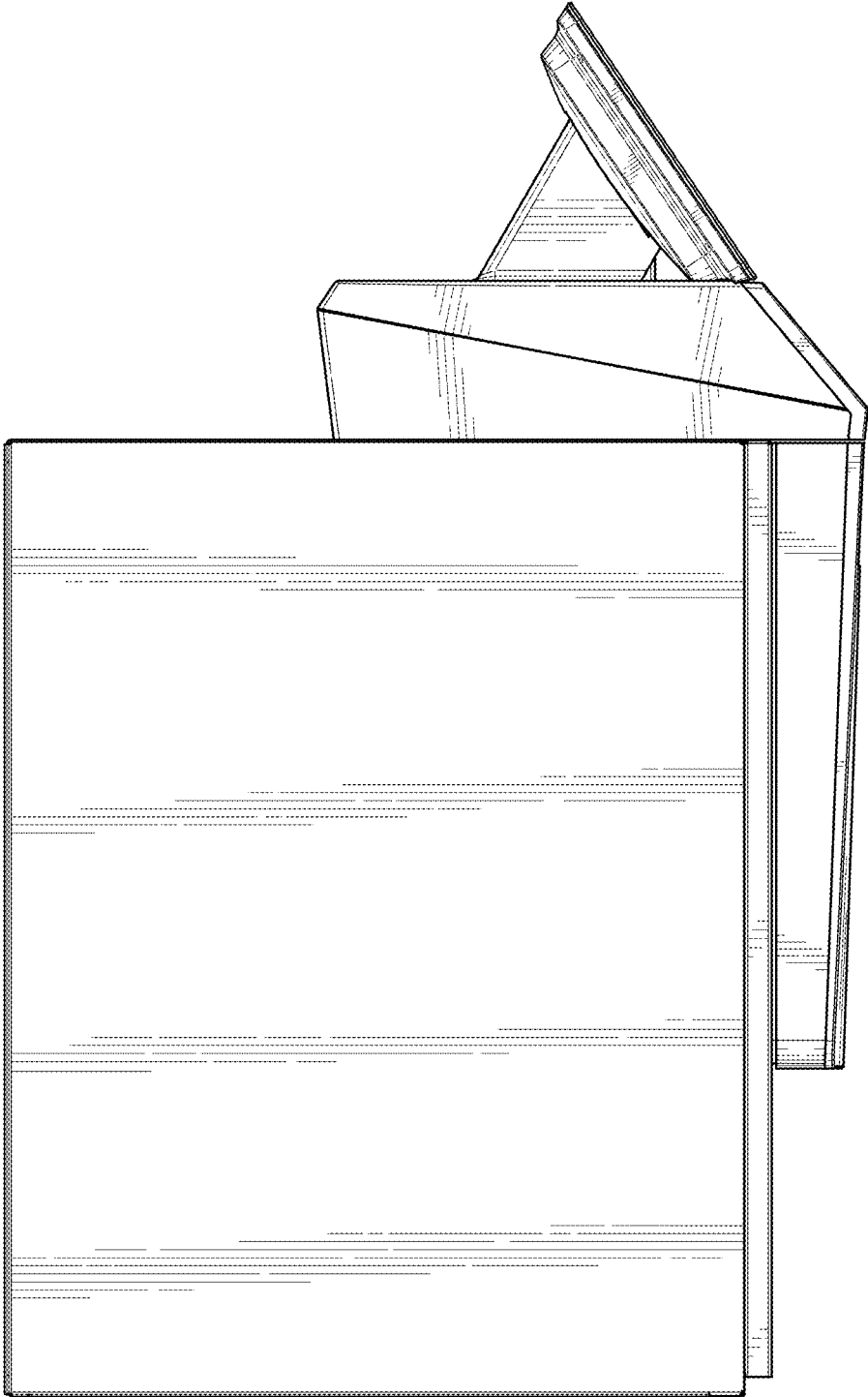


FIG. 2

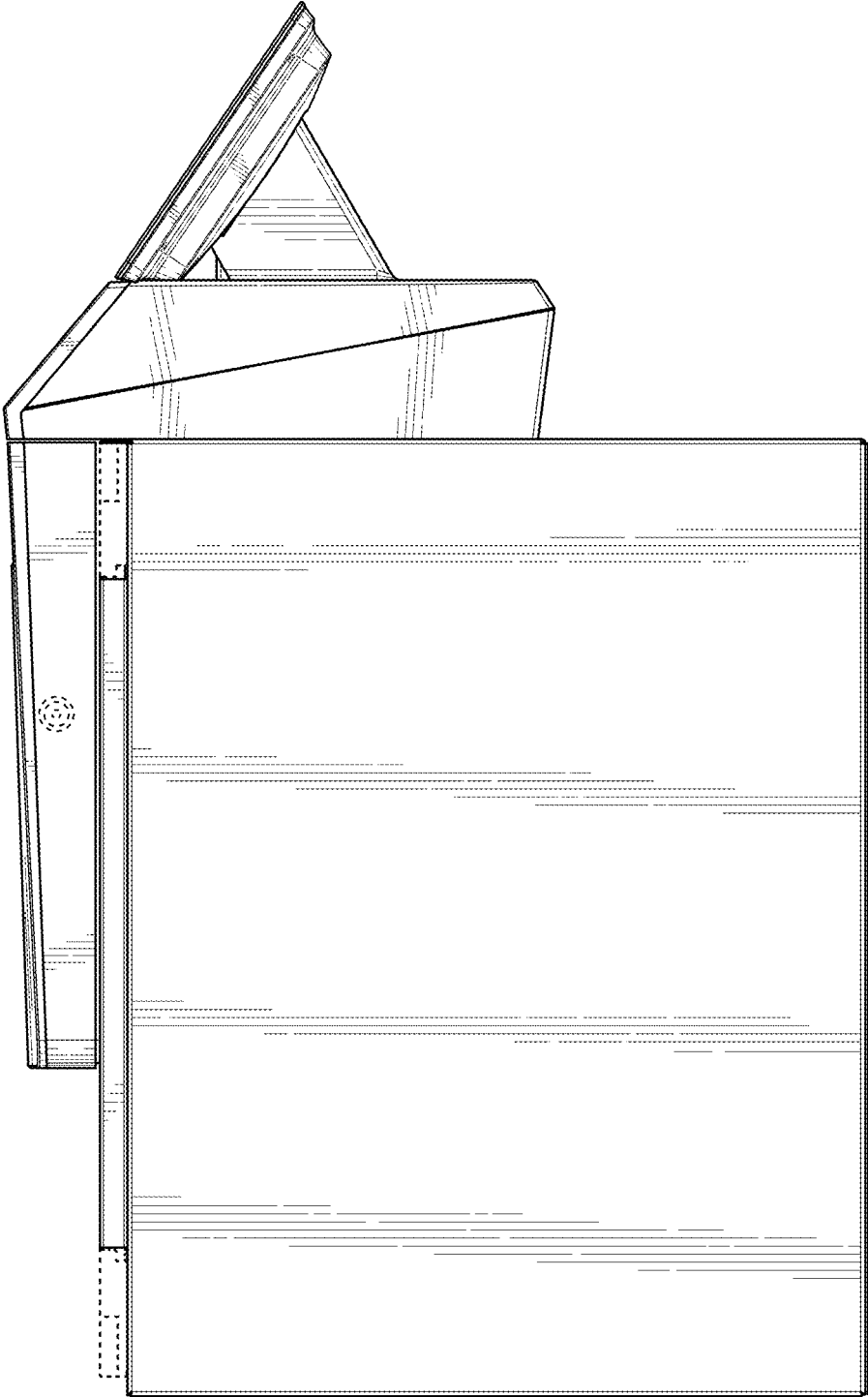


FIG. 3

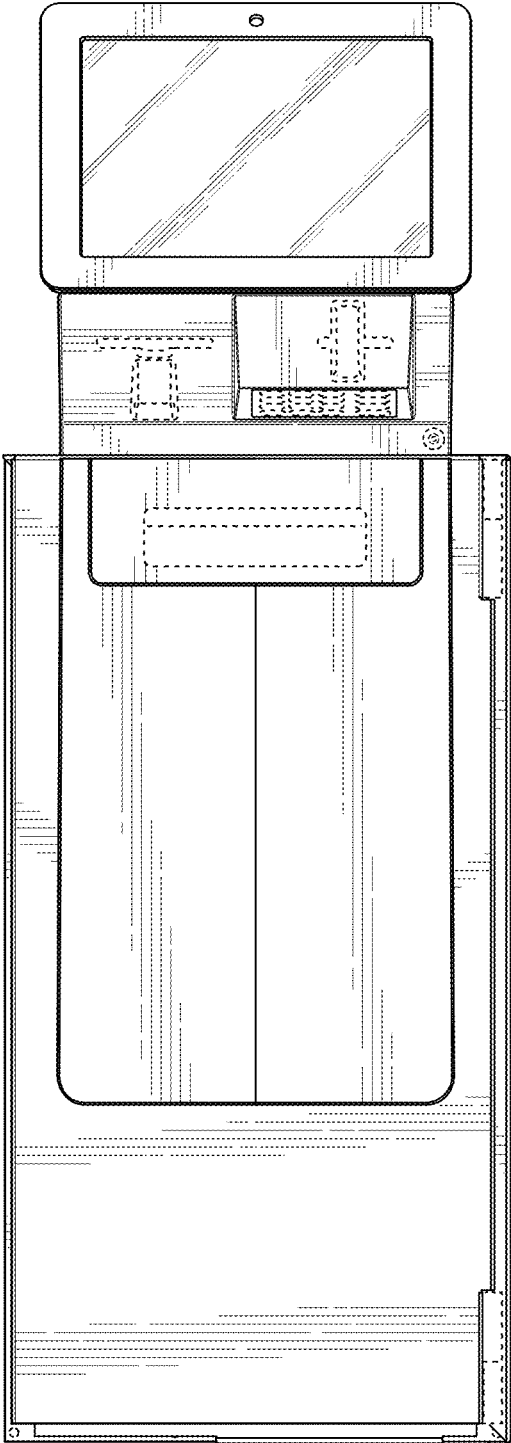


FIG. 4

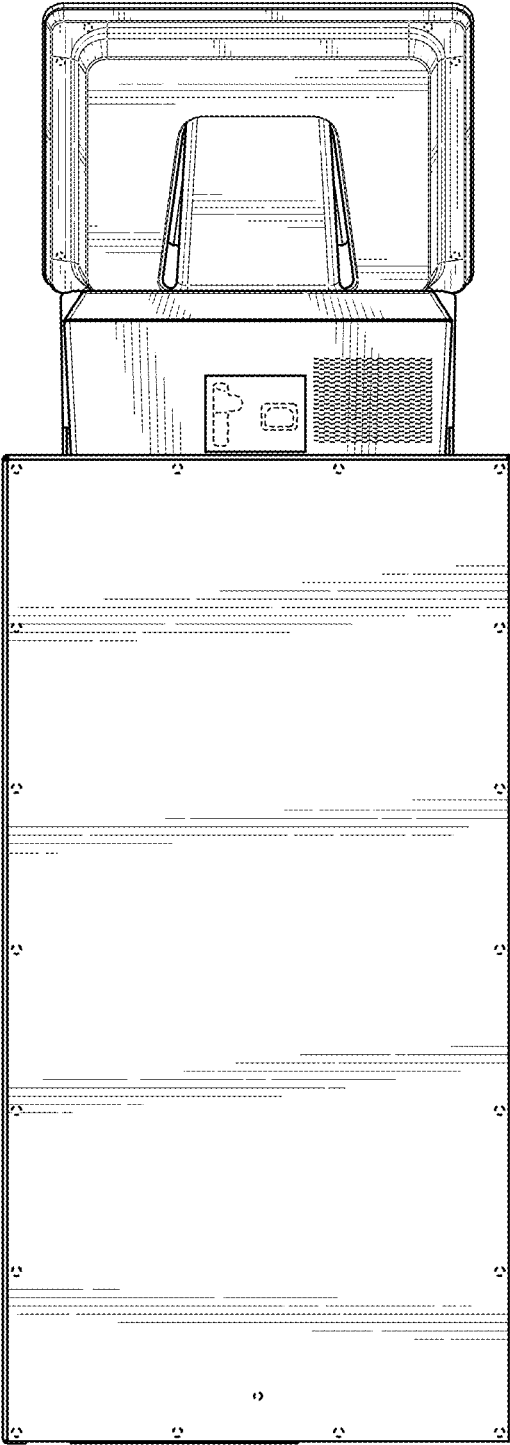


FIG. 5

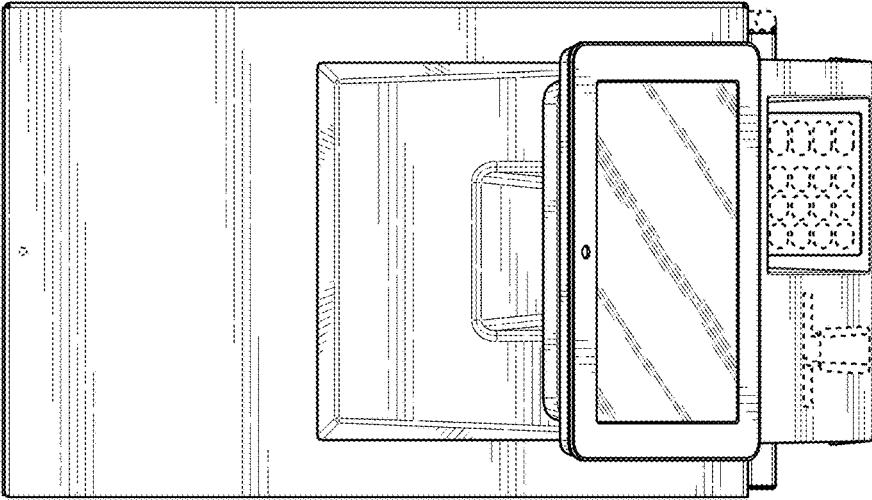


FIG. 6

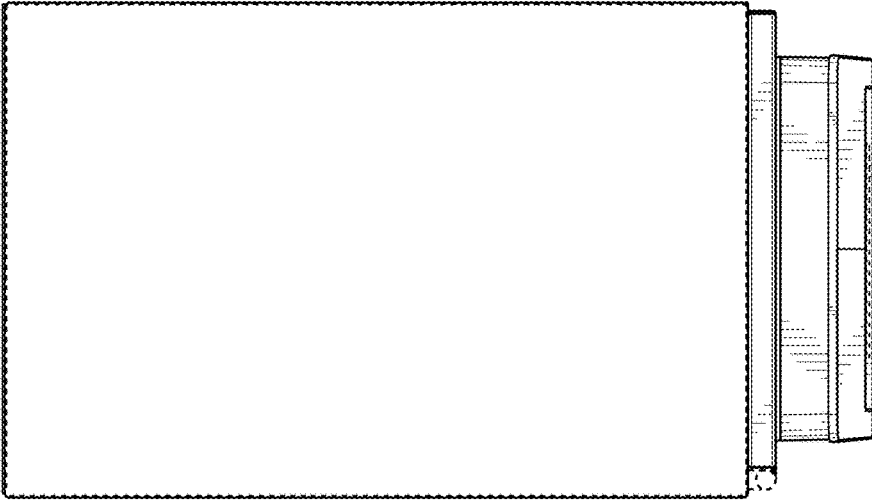


FIG. 7