



(12) **United States Design Patent**  
**Filleul et al.**

(10) **Patent No.:** **US D937,478 S**  
(45) **Date of Patent:** **\*\* Nov. 30, 2021**

- (54) **ELECTRONIC VAPING DEVICE**
- (71) Applicant: **Altria Client Services LLC**,  
Richmond, VA (US)
- (72) Inventors: **Bayden Filleul**, Dublin (IE); **Michael Nolan**, Dublin (IE); **Florent Cuchet**,  
Stockholm (SE)
- (73) Assignee: **Altria Client Services LLC**,  
Richmond, VA (US)
- (\*\*) Term: **15 Years**
- (21) Appl. No.: **29/730,913**
- (22) Filed: **Apr. 9, 2020**

**Related U.S. Application Data**

- (62) Division of application No. 29/657,303, filed on Jul. 20, 2018, now Pat. No. Des. 883,566.

**Foreign Application Priority Data**

- (30) Jan. 24, 2018 (EM) ..... 004678688-0001
  - Jan. 24, 2018 (EM) ..... 004678688-0002
  - Jan. 24, 2018 (EM) ..... 004678688-0003
  - Jan. 24, 2018 (EM) ..... 004678688-0004
  - Jan. 24, 2018 (EM) ..... 004678688-0005
  - Jan. 24, 2018 (EM) ..... 004678688-0006
  - Jan. 24, 2018 (EM) ..... 004678688-0007
  - Jan. 24, 2018 (EM) ..... 004678688-0008
- (Continued)

- (51) **LOC (13) Cl.** ..... **27-02**
  - (52) **U.S. Cl.**  
USPC ..... **D27/162**
  - (58) **Field of Classification Search**  
USPC ..... D27/162, 100, 101, 163-165, 172, 183,  
D27/185-194; D24/110, 110.5; D23/366
- (Continued)

(56) **References Cited**

U.S. PATENT DOCUMENTS

D644,375 S ‡ 8/2011 Zhou ..... D27/101  
D658,807 S 5/2012 Aboushi  
(Continued)

OTHER PUBLICATIONS

U.S. Office Action dated Apr. 1, 2021, issued in corresponding U.S. Appl. No. 29/657,300.

(Continued)

*Primary Examiner* — Susan Bennett Hattan  
*Assistant Examiner* — Rebecca Tsehaye  
(74) *Attorney, Agent, or Firm* — Harness, Dickey & Pierce, P.L.C.

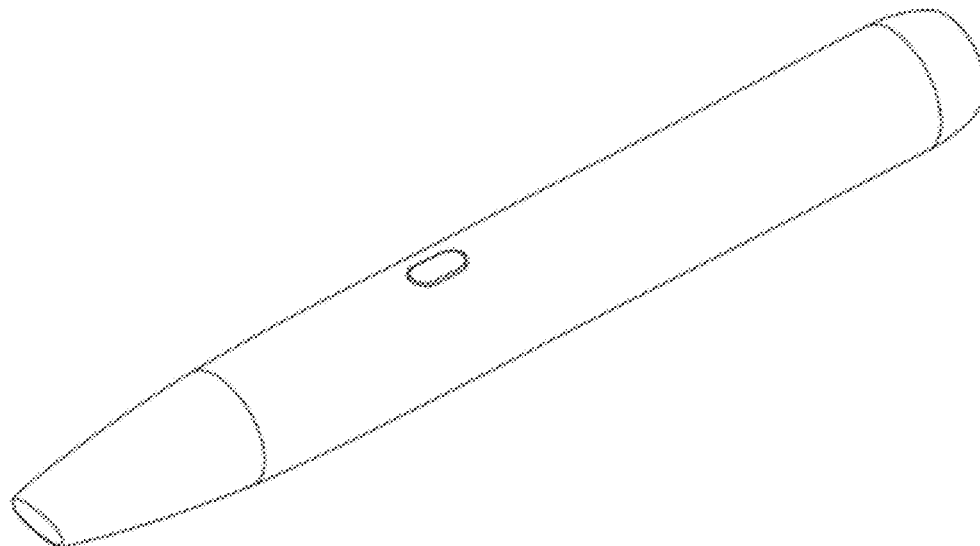
(57) **CLAIM**

The ornamental design for an electronic vaping device, as shown and described.

**DESCRIPTION**

FIG. 1 is a front-top perspective view of an electronic vaping device;  
FIG. 2 is a front view of the electronic vaping device shown in FIG. 1;  
FIG. 3 is a rear view of the electronic vaping device shown in FIG. 1;  
FIG. 4 is a left side view of the electronic vaping device shown in FIG. 1;  
FIG. 5 is a right side view of the electronic vaping device shown in FIG. 1;  
FIG. 6 is a top view of the electronic vaping device shown in FIG. 1;  
FIG. 7 is a bottom view of the electronic vaping device shown in FIG. 1; and,  
FIG. 8 is a rear-bottom perspective view of an electronic vaping device shown in FIG. 1.

**1 Claim, 8 Drawing Sheets**



(30) Foreign Application Priority Data

Jan. 24, 2018 (EM) ..... 004678688-0009  
 Jan. 24, 2018 (EM) ..... 004678688-0010  
 Jan. 24, 2018 (EM) ..... 004678688-0011  
 Jan. 24, 2018 (EM) ..... 004678688-0012

(58) Field of Classification Search

CPC .... A24F 47/002; A24F 47/006; A24F 47/008;  
 A61M 15/00; A61M 15/06  
 See application file for complete search history.

(56) References Cited

U.S. PATENT DOCUMENTS

D693,053 S \* 11/2013 Chen ..... D27/101  
 D695,450 S ‡ 12/2013 Benassayag ..... D24/110.5  
 D720,094 S \* 12/2014 Alima ..... D27/101  
 D720,095 S \* 12/2014 Alima ..... D27/163  
 D720,496 S \* 12/2014 Alima ..... D27/101  
 D720,881 S ‡ 1/2015 Liu ..... D27/101  
 D720,882 S \* 1/2015 Albanese ..... D27/101  
 D723,216 S ‡ 2/2015 Chen ..... D27/101  
 D761,998 S \* 7/2016 Pinder ..... D27/101  
 D779,722 S ‡ 2/2017 Volodarsky ..... D27/162  
 D782,728 S ‡ 3/2017 Pinder ..... D27/101  
 D790,122 S ‡ 6/2017 Hawes ..... D27/101  
 D800,383 S ‡ 10/2017 Verleur ..... D27/167  
 D802,839 S 11/2017 Scott  
 D805,246 S ‡ 12/2017 Fakhouri ..... D27/101  
 D805,684 S ‡ 12/2017 Thuery ..... D27/101  
 D809,190 S ‡ 1/2018 Schuler ..... D27/101  
 D813,445 S ‡ 3/2018 Scott ..... D27/101  
 D813,447 S \* 3/2018 Watson ..... D27/162  
 D814,694 S 4/2018 Watson  
 D818,636 S \* 5/2018 Qiu ..... D27/101  
 D818,638 S 5/2018 Wright et al.  
 D822,271 S \* 7/2018 Eksouzian ..... D27/101  
 D825,099 S ‡ 8/2018 Wright ..... D27/101

D825,103 S 8/2018 Wright et al.  
 D825,844 S \* 8/2018 Verleur ..... D27/167  
 D829,369 S 9/2018 Stone  
 D829,370 S 9/2018 Stone  
 D829,974 S 10/2018 Stone  
 D829,976 S 10/2018 Stone  
 D847,419 S ‡ 4/2019 Hawes ..... D27/194  
 D855,881 S ‡ 8/2019 Hawes ..... D27/194  
 D862,793 S 10/2019 Chang et al.  
 D866,064 S 11/2019 Powell et al.  
 D868,360 S 11/2019 Stone  
 D868,363 S 11/2019 Stone  
 D868,364 S 11/2019 Stone  
 D869,747 S 12/2019 Stone  
 D871,662 S 12/2019 Volodarsky et al.  
 D871,665 S \* 12/2019 Choe ..... D27/162  
 D876,719 S \* 2/2020 Vermette ..... D27/162  
 D877,409 S 3/2020 Jiang  
 D878,671 S 3/2020 Stone  
 D882,165 S 4/2020 Ouyang  
 D883,566 S \* 5/2020 Filleul ..... D27/162  
 D889,034 S \* 6/2020 Stewart ..... D27/162  
 D894,478 S \* 8/2020 Fornarelli ..... D27/162  
 D913,580 S 3/2021 Barenboym  
 D920,570 S 5/2021 Laidlaw et al.  
 D921,969 S 6/2021 Simrell

OTHER PUBLICATIONS

U.S. Office Action dated Jun. 4, 2021, issued in corresponding U.S. Appl. No. 29/657,302.  
 U.S. Office Action dated Jul. 9, 2021, issued in corresponding U.S. Appl. No. 29/657,300.  
 U.S. Office Action dated Nov. 13, 2020, issued in corresponding U.S. Appl. No. 29/657,302.  
 U.S. Notice of Allowance dated Oct. 14, 2021, issued in co-pending U.S. Appl. No. 29/657,302.

\* cited by examiner  
 ‡ imported from a related application

FIG. 1

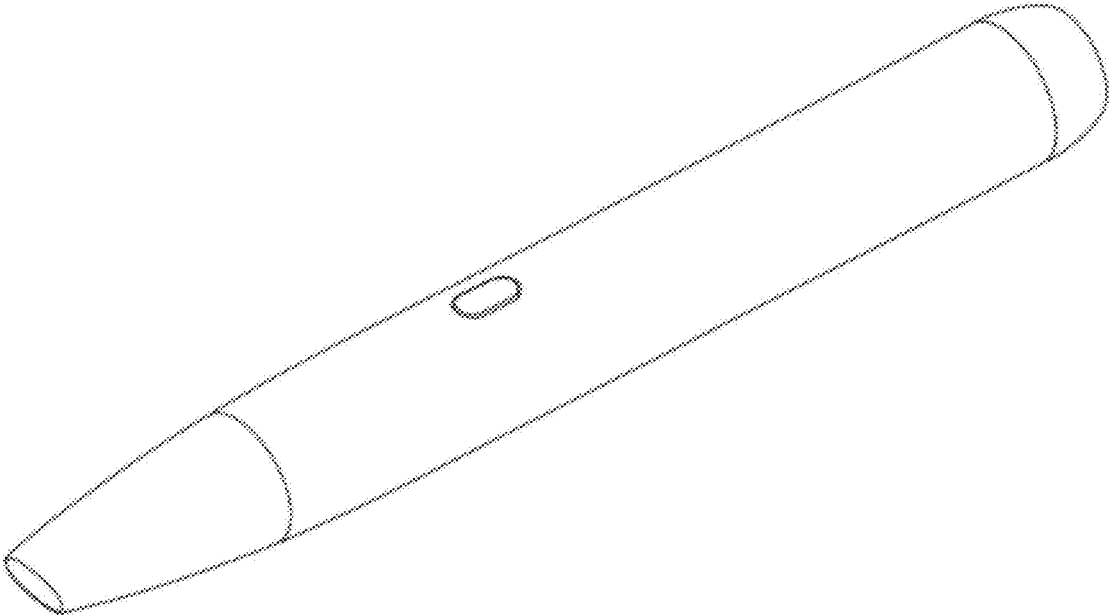


FIG. 2

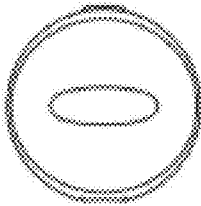


FIG. 3

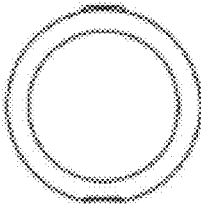


FIG. 4



FIG. 5

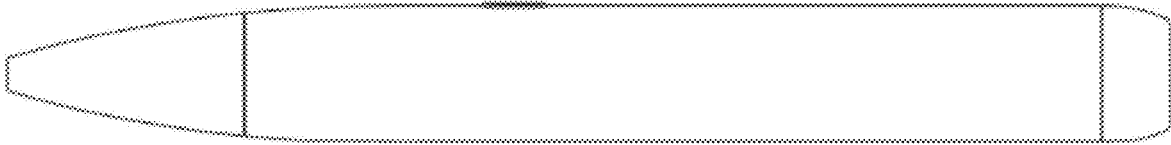


FIG. 6

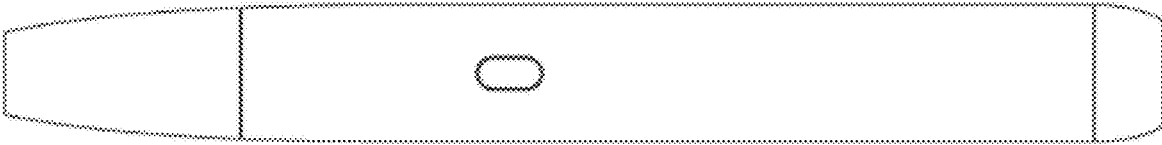




FIG. 7

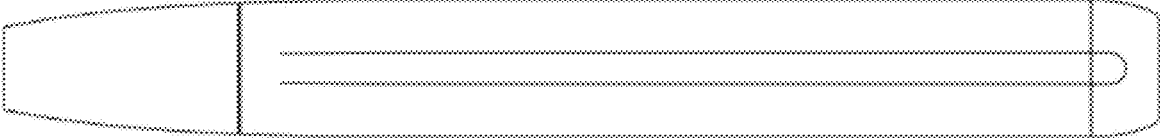


FIG. 8

