



US00D816338S

(12) **United States Design Patent**  
Stowe et al.

(10) **Patent No.:** **US D816,338 S**

(45) **Date of Patent:** **\*\* May 1, 2018**

(54) **PLANTER BAG**

(71) Applicant: **WHS Trading Australia Pty Ltd.**,  
Wembley, WA (AU)

(72) Inventors: **Robert Geoffrey Stowe**, Wembley  
(AU); **Steve Turner**, Wembley (AU)

(73) Assignee: **WHS Trading Australia Pty Ltd.**,  
Wembley, WA (AU)

(\*\*) Term: **15 Years**

(21) Appl. No.: **29/566,453**

(22) Filed: **May 31, 2016**

(51) **LOC (11) Cl.** ..... **03-01**

(52) **U.S. Cl.**  
USPC ..... **D3/307**

(58) **Field of Classification Search**  
USPC ..... D32/35-37; D3/304-305, 307, 315;  
D9/702-703  
CPC ..... B65D 37/00; B65D 67/00; B65D 85/50;  
B65D 85/505; B65D 85/52  
See application file for complete search history.

(56) **References Cited**

**U.S. PATENT DOCUMENTS**

- D470,910 S \* 2/2003 Abel ..... D22/199
- 6,616,004 B1 \* 9/2003 Erickson ..... B65F 1/02  
220/666
- 6,830,170 B2 \* 12/2004 Abel ..... A01M 31/006  
190/107
- D577,851 S \* 9/2008 Yurich ..... D26/119
- D644,025 S \* 8/2011 Finch ..... D3/310
- D702,041 S \* 4/2014 Wu ..... D3/216

- D746,619 S \* 1/2016 Aller ..... A01G 9/022  
D6/677
- D765,977 S \* 9/2016 Adkinson ..... D3/307
- 2017/0210552 A1 \* 7/2017 O'Brien ..... B65D 85/8043

\* cited by examiner

*Primary Examiner* — Kelley Donnelly

(74) *Attorney, Agent, or Firm* — Merchant & Gould P.C.

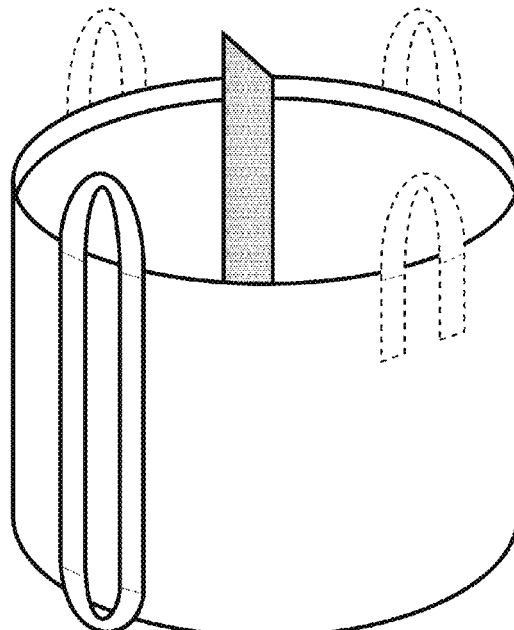
(57) **CLAIM**

The ornamental design for a planter bag, substantially as shown and described.

**DESCRIPTION**

FIG. 1 is a top perspective view of a planter bag in accordance with the present invention;  
 FIG. 2 is a bottom perspective view thereof;  
 FIG. 3 is a top plan view thereof;  
 FIG. 4 is a bottom plan view thereof;  
 FIG. 5 is a side view thereof;  
 FIG. 6 is an opposite side view thereof;  
 FIG. 7 is a side view rotated 90 degrees thereof;  
 FIG. 8 is a side view rotated 90 degrees thereof;  
 FIG. 9 is a top perspective view of another embodiment of a planter bag in accordance with the present invention;  
 FIG. 10 is a bottom perspective view thereof;  
 FIG. 11 is a top plan view thereof;  
 FIG. 12 is a bottom plan view thereof;  
 FIG. 13 is a side view thereof;  
 FIG. 14 is an opposite side view thereof;  
 FIG. 15 is a side view rotated 90 degrees thereof; and,  
 FIG. 16 is a side view rotated 90 degrees thereof.  
 The broken lines showing the remainder of the horticultural bag are directed to environment. None of the broken lines form part of the claimed design.

**1 Claim, 8 Drawing Sheets**



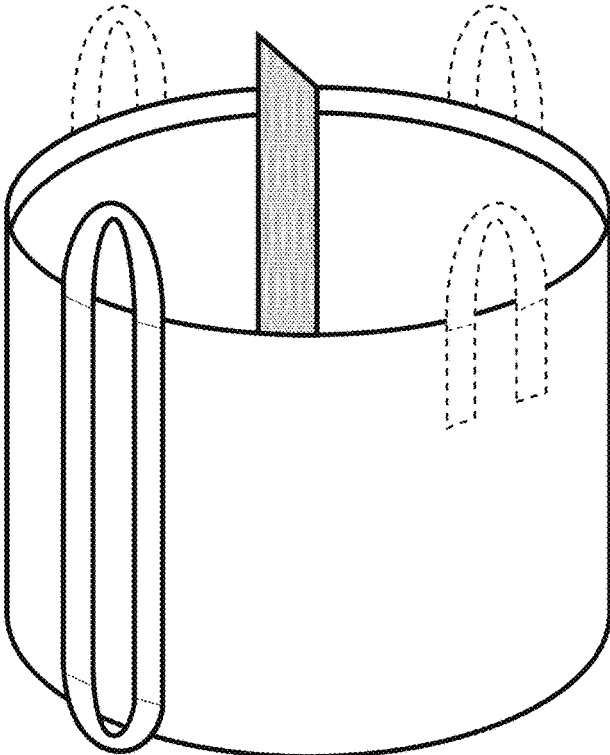


FIG. 1

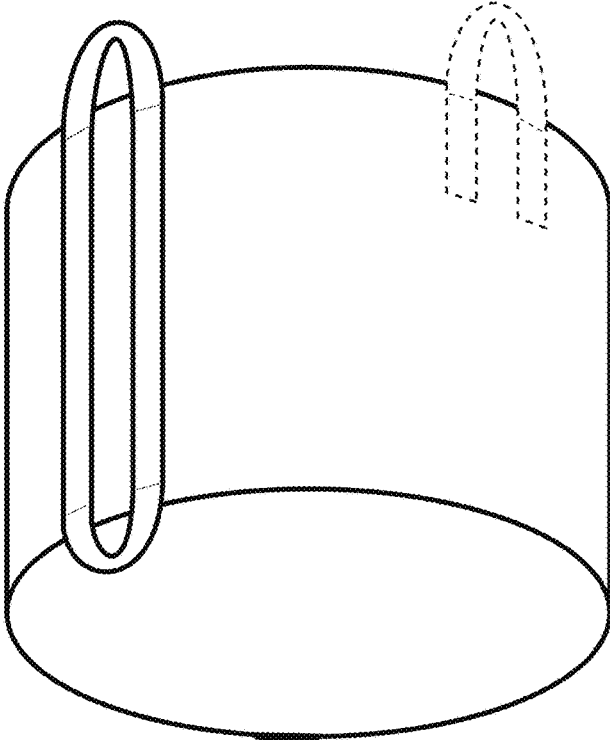


FIG. 2

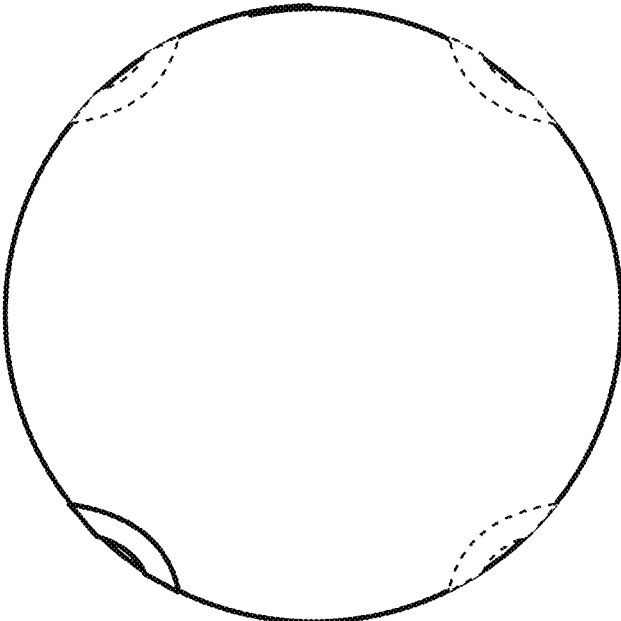


FIG. 3

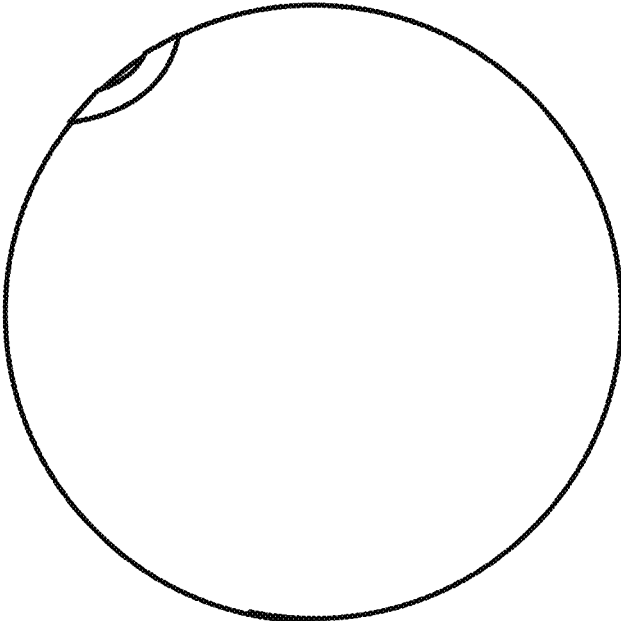


FIG. 4

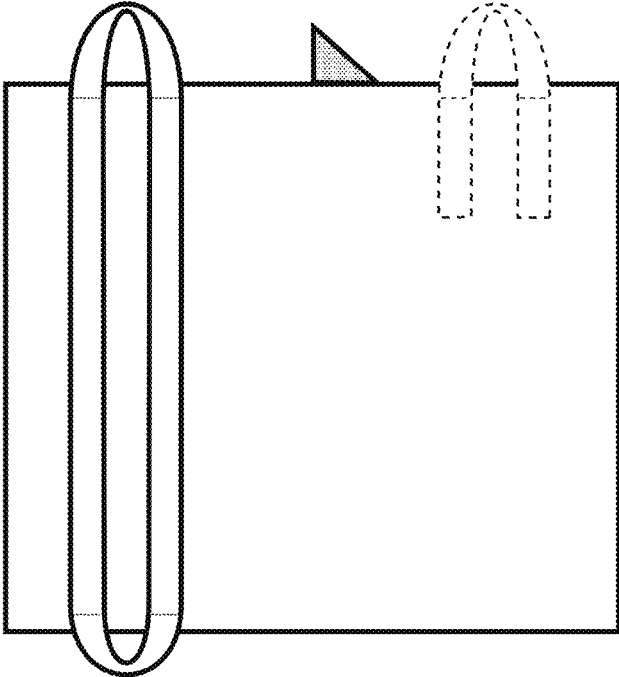


FIG. 5

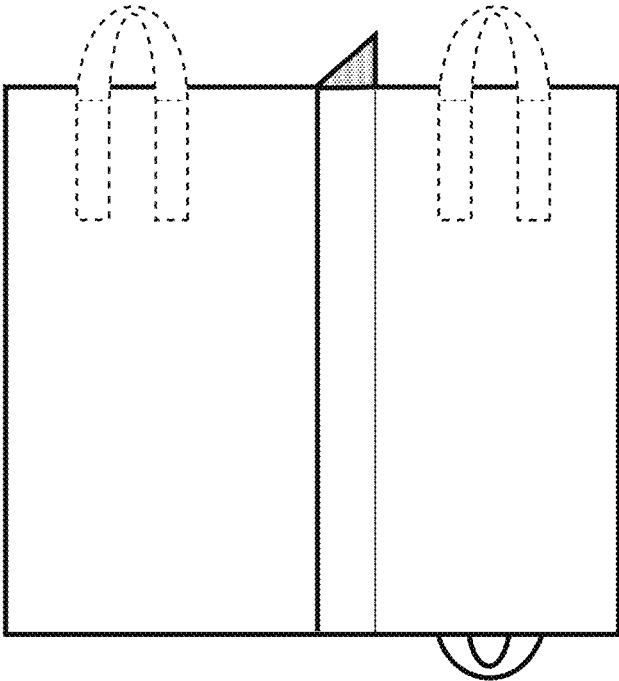


FIG. 6

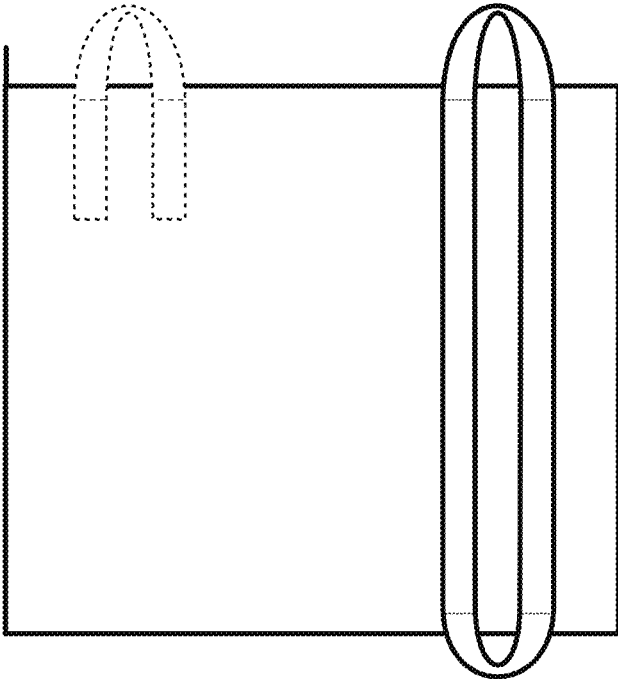


FIG. 7

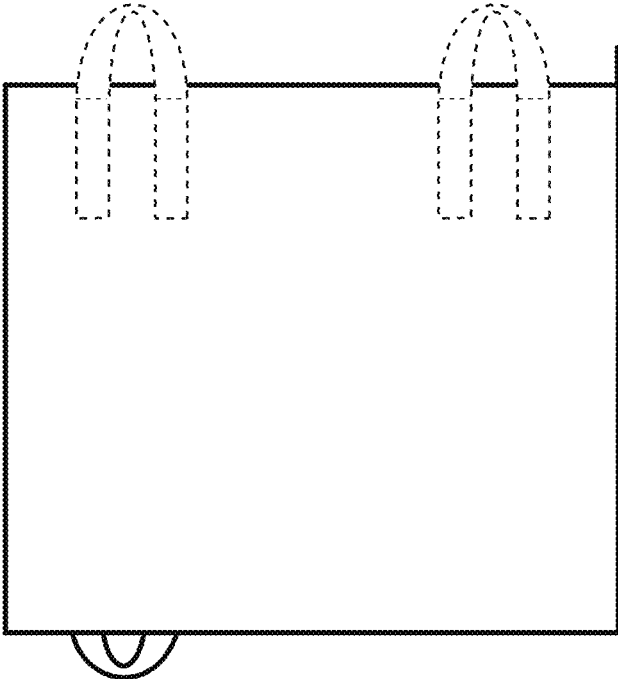


FIG. 8

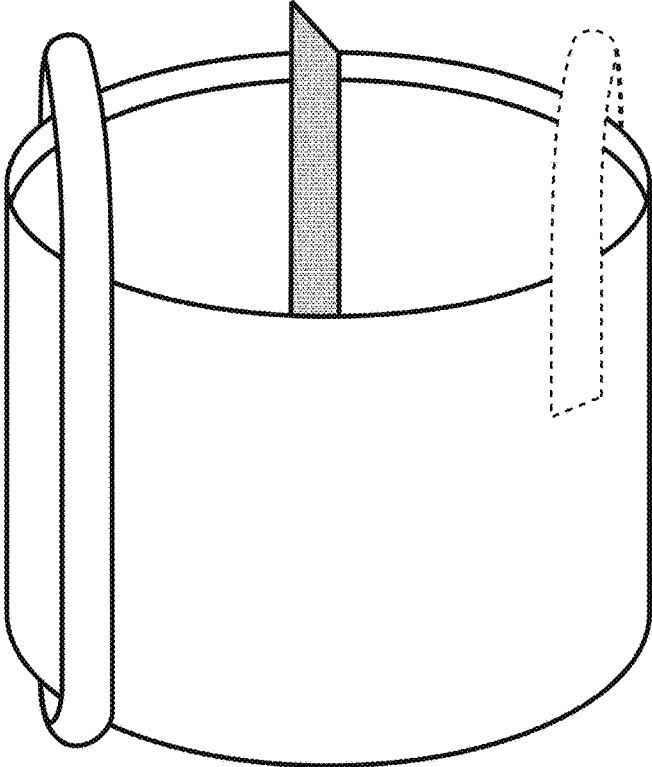


FIG. 9

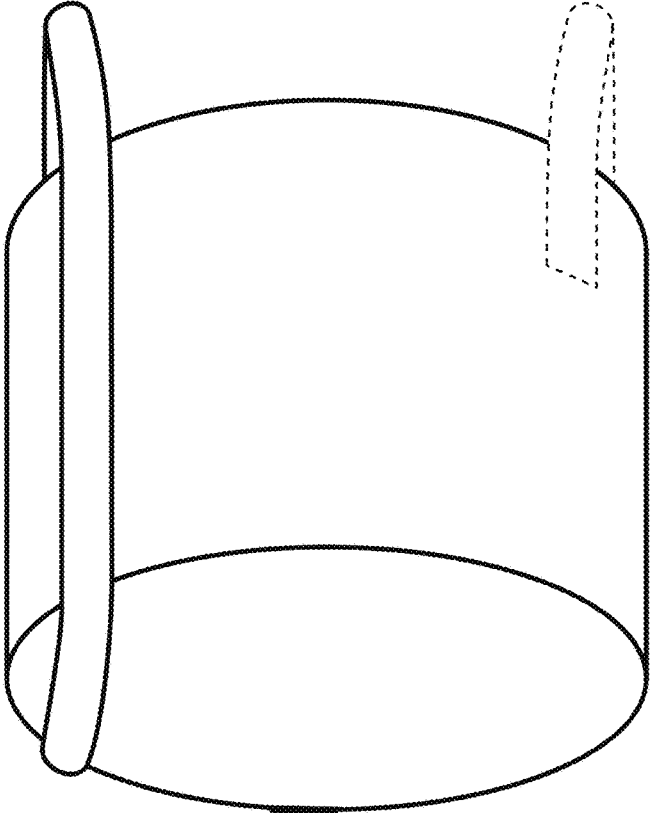


FIG. 10

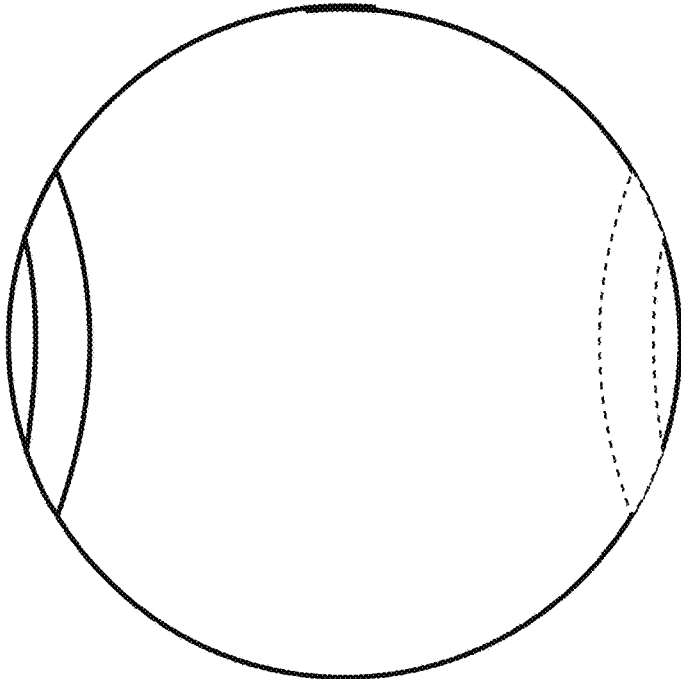


FIG. 11

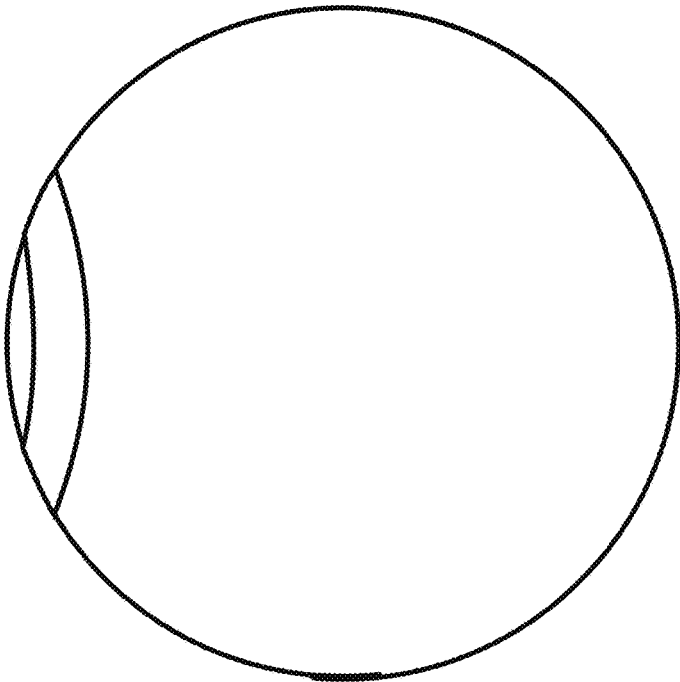


FIG. 12

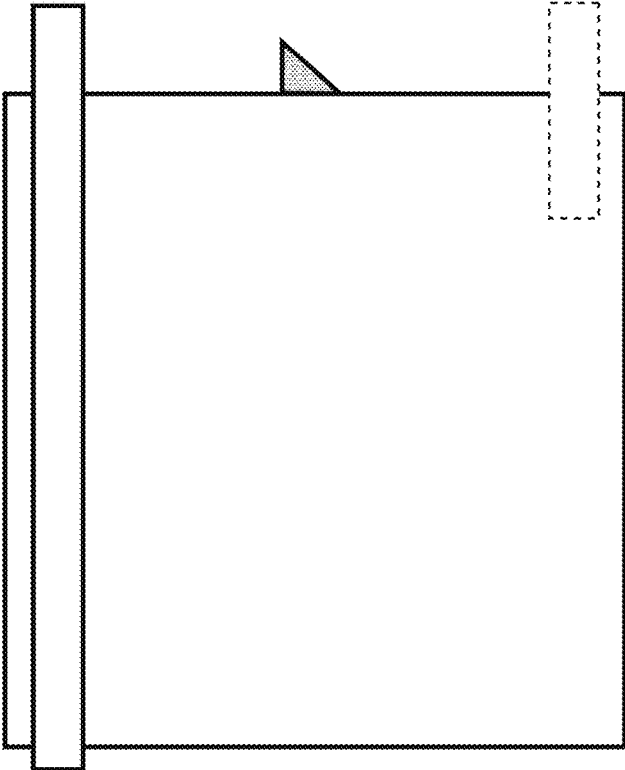


FIG. 13

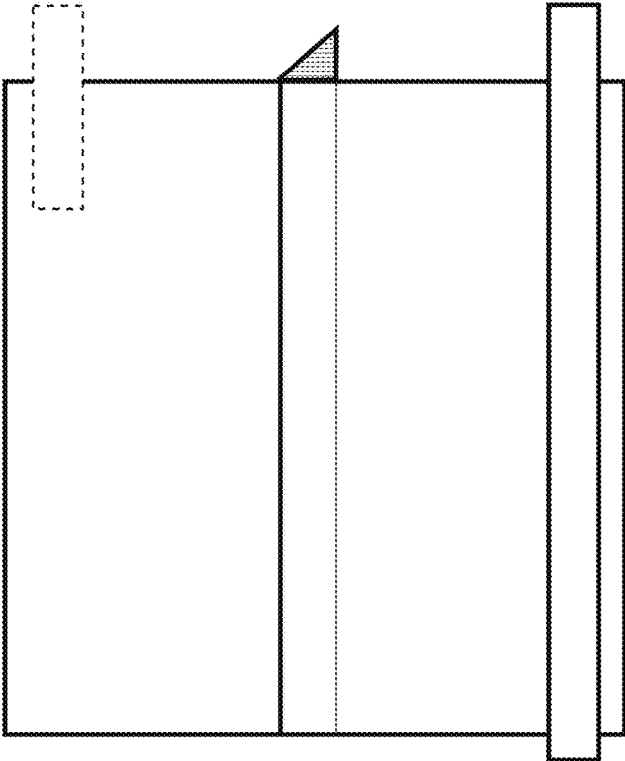


FIG. 14



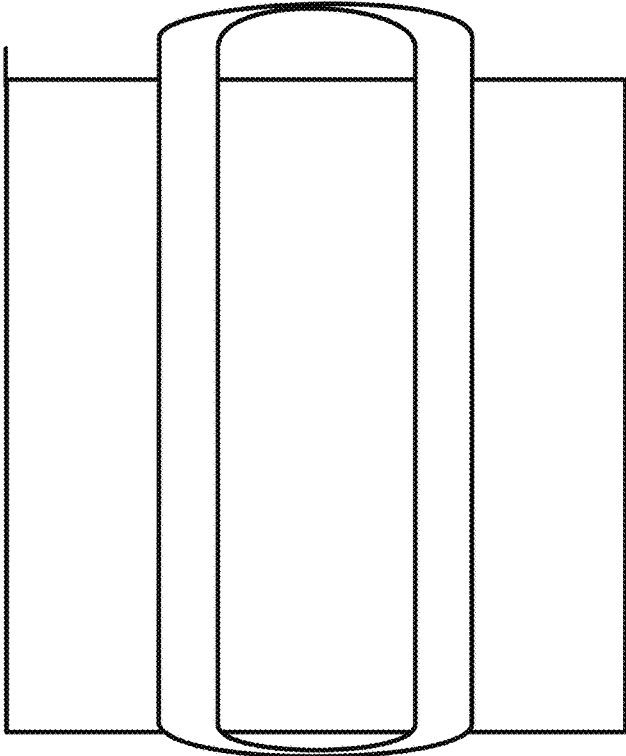


FIG. 15

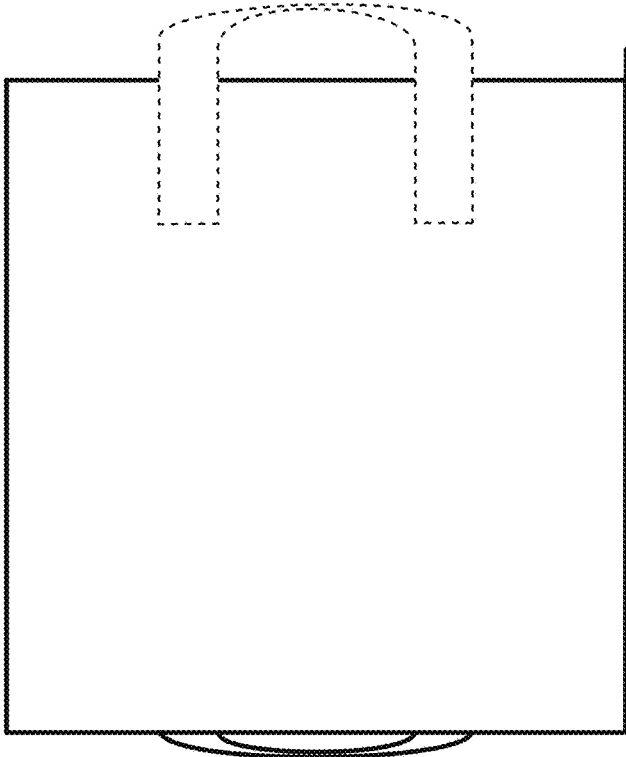


FIG. 16