



US00D830218S

(12) **United States Design Patent**  
**Silvestri**

(10) **Patent No.:** **US D830,218 S**

(45) **Date of Patent:** **\*\* Oct. 9, 2018**

(54) **BRACELET**

(71) Applicant: **Bulgari S.p.A.**, Rome (IT)

(72) Inventor: **Lucia Silvestri**, Rome (IT)

(73) Assignee: **Bulgari S.p.A.**, Rome (IT)

(\*\*) Term: **15 Years**

(21) Appl. No.: **29/543,296**

(22) Filed: **Oct. 22, 2015**

(30) **Foreign Application Priority Data**

Apr. 23, 2015 (WO) ..... DM086277

(51) **LOC (11) Cl.** ..... **11-01**

(52) **U.S. Cl.**

USPC ..... **D11/4; D11/27**

(58) **Field of Classification Search**

USPC ..... D11/1-39, 79, 91, 92

CPC ..... A44C 5/00; A44C 5/0007; A44C 5/0015;

A44C 5/003; A44C 5/0053; A44C 9/00;

A44C 9/0007; A44C 9/0014; A44C

9/0023; A44C 9/003; A44C 9/0038; A44C

9/0046; A44C 9/0053; A44C 9/0061;

A44C 9/0069; A44C 9/0076; A44C

17/0258; A44C 17/0266; A44C 17/0275;

A44C 17/0283; A44C 17/02; A44C

17/0208

See application file for complete search history.

(56) **References Cited**

**U.S. PATENT DOCUMENTS**

D87,916 S \* 10/1932 Granat ..... D11/26

D115,439 S \* 6/1939 Beaupre ..... D11/5

4,674,299 A \* 6/1987 Azar ..... A44C 13/00  
63/7

D291,542 S \* 8/1987 Wagner ..... D11/27

D565,450 S \* 4/2008 Lebail ..... D11/27

D691,506 S \* 10/2013 Hardy ..... D11/27

D749,979 S \* 2/2016 Traglio ..... D11/27

D780,012 S \* 2/2017 Traglio ..... D11/27

D780,013 S \* 2/2017 Silvestri ..... D11/28

D784,841 S \* 4/2017 Amfitheatrof ..... D11/27

D784,844 S \* 4/2017 Amfitheatrof ..... D11/27

**OTHER PUBLICATIONS**

[Online] [https://www.bulgari.com/media/catalog/product/cache/small\\_image/325x456/4d80747777cb3e0787431be668352562/D/I/DIVASDREAM-Bracelets-BVLGARI-BR857323-1\\_v06.png](https://www.bulgari.com/media/catalog/product/cache/small_image/325x456/4d80747777cb3e0787431be668352562/D/I/DIVASDREAM-Bracelets-BVLGARI-BR857323-1_v06.png). Retrieved Dec. 28, 2017.\*

\* cited by examiner

*Primary Examiner* — Melanie Pellegrini

(74) *Attorney, Agent, or Firm* — Foley Hoag LLP

(57) **CLAIM**

The ornamental design for a bracelet, as shown and described.

**DESCRIPTION**

FIG. 1 is a front perspective view of a bracelet;

FIG. 2 is a front view thereof;

FIG. 3 is a back view thereof;

FIG. 4 is a bottom view thereof;

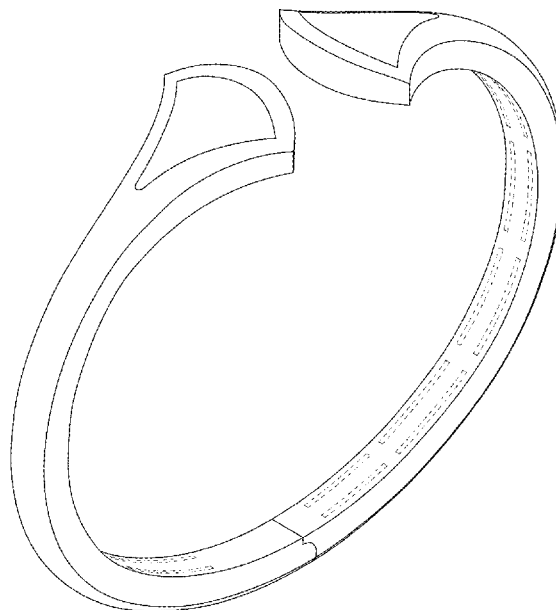
FIG. 5 is a top view thereof;

FIG. 6 is a right side view thereof; and,

FIG. 7 is a left side view thereof.

The broken lines depicted in the drawings represent portions of the bracelet that form no part of the claimed design.

**1 Claim, 7 Drawing Sheets**



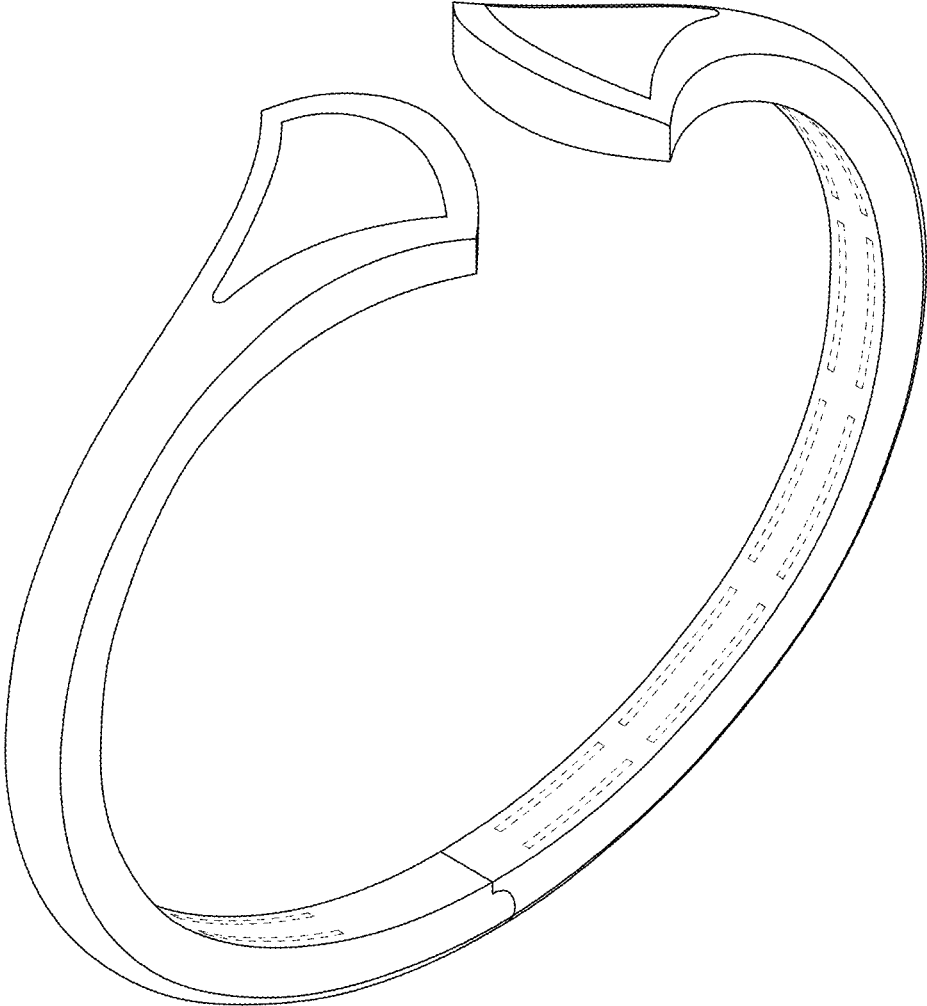


FIG. 1

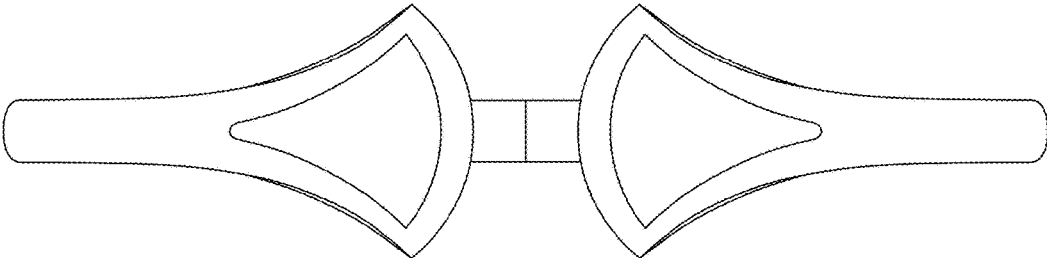


FIG.2

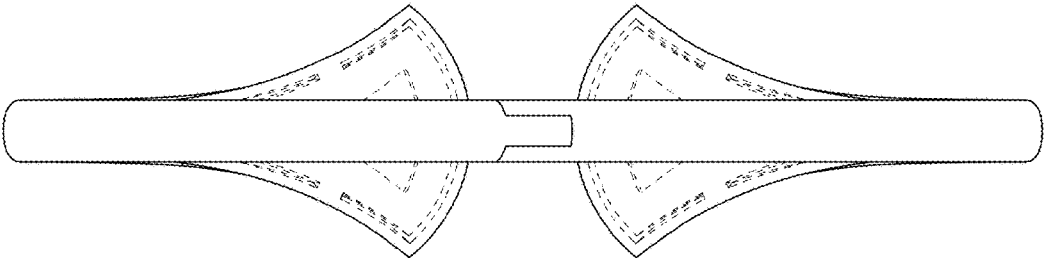


FIG.3

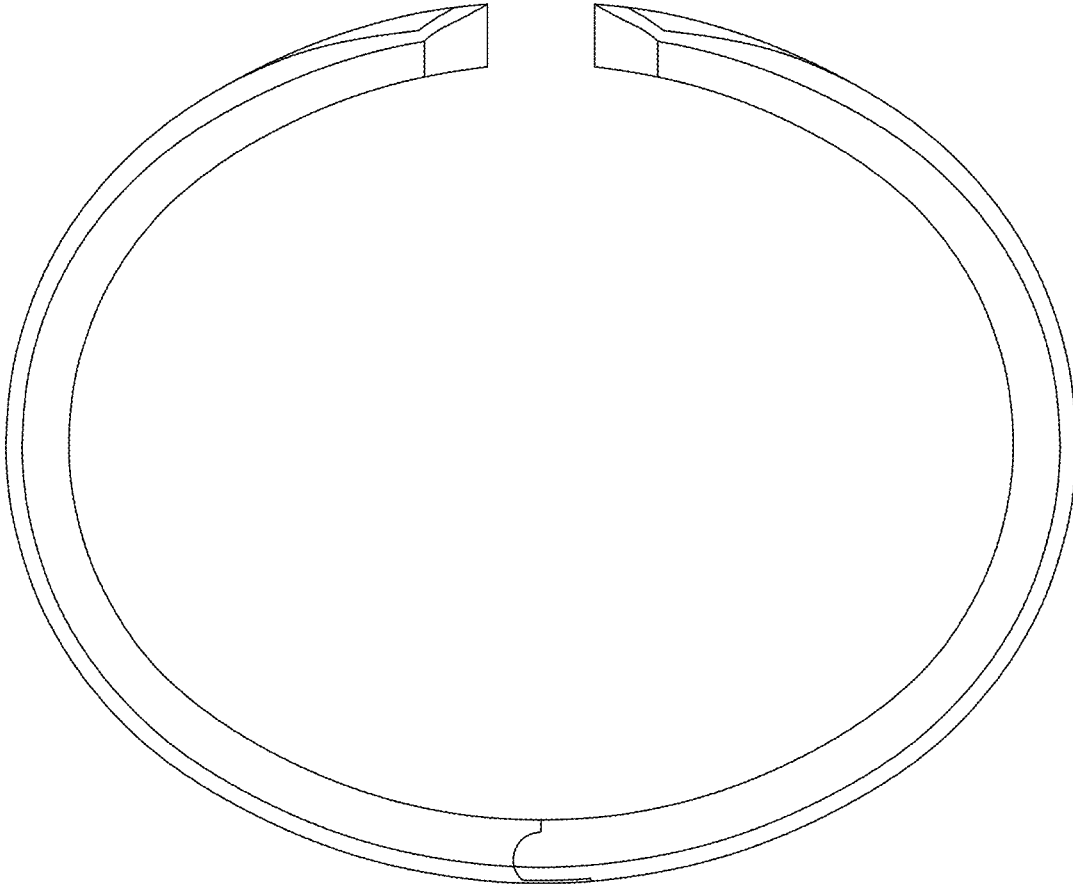


FIG.4

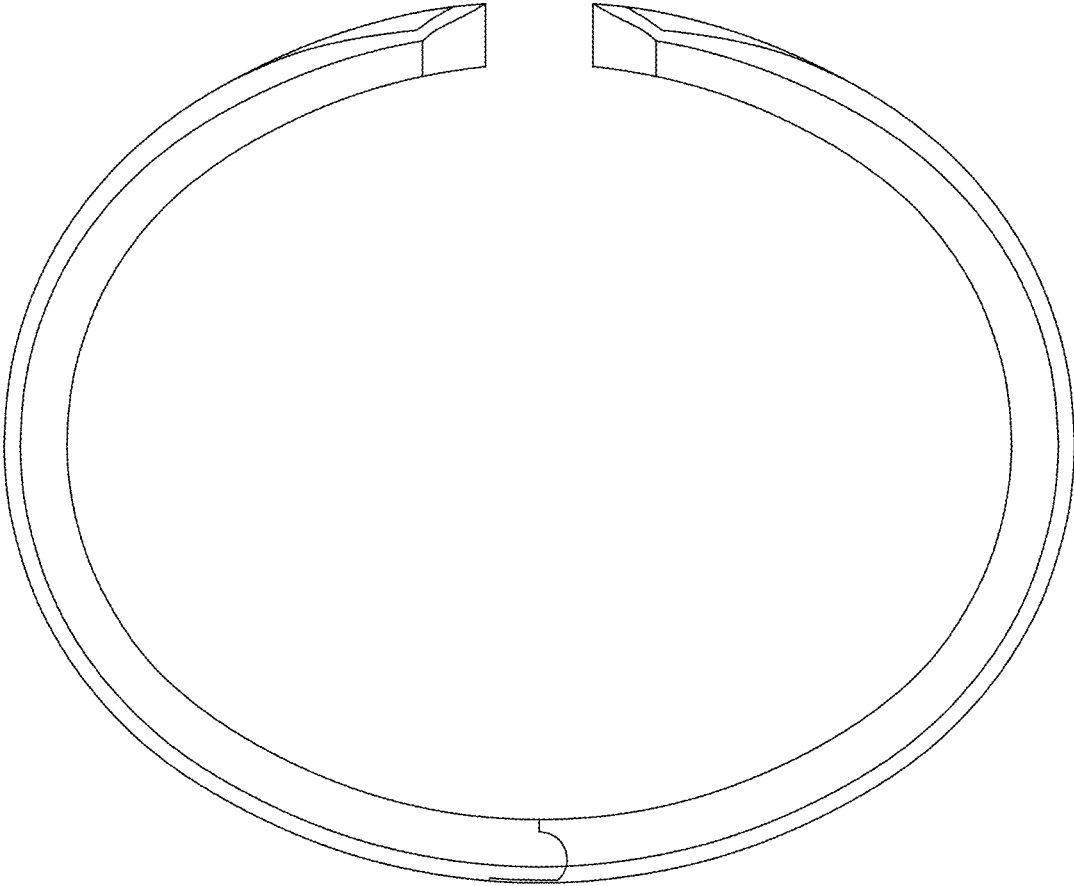


FIG. 5

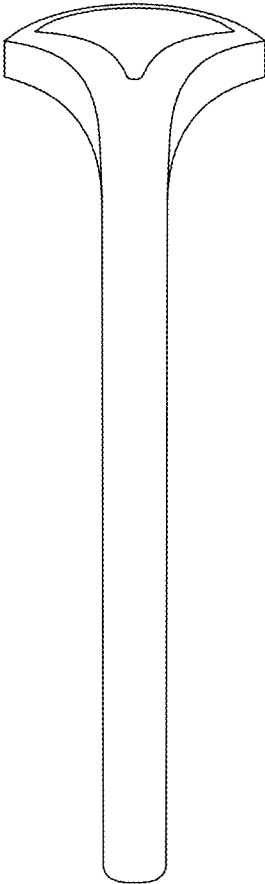


FIG.6

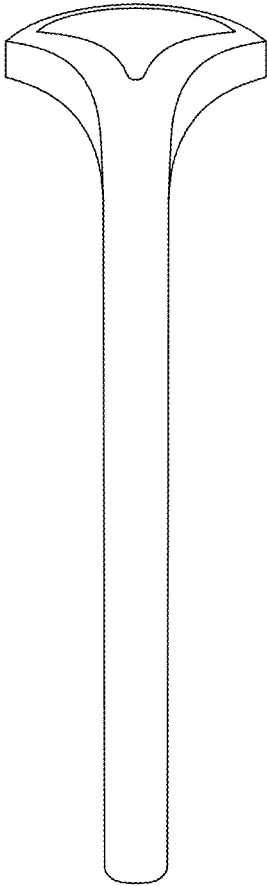


FIG. 7