



US00D675369S

(12) **United States Design Patent**  
**Michaud**

(10) **Patent No.:** **US D675,369 S**

(45) **Date of Patent:** **\*\* Jan. 29, 2013**

(54) **REFLECTOR**

(76) Inventor: **Aloys Michaud, Bussigny (CH)**

(\*\*) Term: **14 Years**

(21) Appl. No.: **29/412,398**

(22) Filed: **Feb. 2, 2012**

(30) **Foreign Application Priority Data**

Aug. 2, 2011 (EM) ..... 001899519-0001

(51) **LOC (9) Cl.** ..... **26-99**

(52) **U.S. Cl.** ..... **D26/118**

(58) **Field of Classification Search** ..... D26/88,  
D26/91, 85, 86, 72, 74, 76, 118, 90, 134,  
D26/73, 75, 119, 120, 121, 122, 113, 71,  
D26/84, 128, 129, 2, 125, 78, 77, 138, 26,  
D26/89, 124, 130, 9, 10, 11, 24, 25, 63, 64,  
D26/65, 69, 127; 362/311.13, 249.01-249.12,  
362/373, 362, 326, 247, 342, 220, 147, 148,  
362/282, 339, 620, 223, 376, 219; D23/412,  
D23/385, 388; 349/64, 62, 63, 65; D16/101;  
D13/179, 180

See application file for complete search history.

(56) **References Cited**

**U.S. PATENT DOCUMENTS**

3,420,995	A	*	1/1969	Dunckel	.....	362/366
4,001,985	A	*	1/1977	Nikolaus et al.	.....	52/28
D300,877	S	*	4/1989	Cyr	.....	D26/134
D365,159	S	*	12/1995	Tinen	.....	D25/138
D518,221	S	*	3/2006	Randazzo et al.	.....	D26/68

D524,475	S	*	7/2006	Randazzo et al.	.....	D26/71
D569,024	S	*	5/2008	Redfern	.....	D26/74
D614,801	S	*	4/2010	Collins et al.	.....	D26/118
D628,335	S	*	11/2010	Hyland	.....	D26/74
D637,752	S	*	5/2011	Mekhtarian	.....	D26/72
D647,235	S	*	10/2011	Nankil	.....	D26/67
2008/0278950	A1	*	11/2008	Pickard et al.	.....	362/294

\* cited by examiner

*Primary Examiner* — Kevin Rudzinski

(74) *Attorney, Agent, or Firm* — Edell, Shapiro & Finnan, LLC

(57) **CLAIM**

The ornamental design for a reflector, as shown and described.

**DESCRIPTION**

FIG. 1 is a rear, left perspective view from below of a reflector showing my new design;

FIG. 2 is a rear elevation view of the reflector of FIG. 1;

FIG. 3 is a front elevation view of the reflector of FIG. 1;

FIG. 4 is a left side elevation view of the reflector of FIG. 1;

FIG. 5 is a right side elevation view of the reflector of FIG. 1;

FIG. 6 is a bottom plan view of the reflector of FIG. 1;

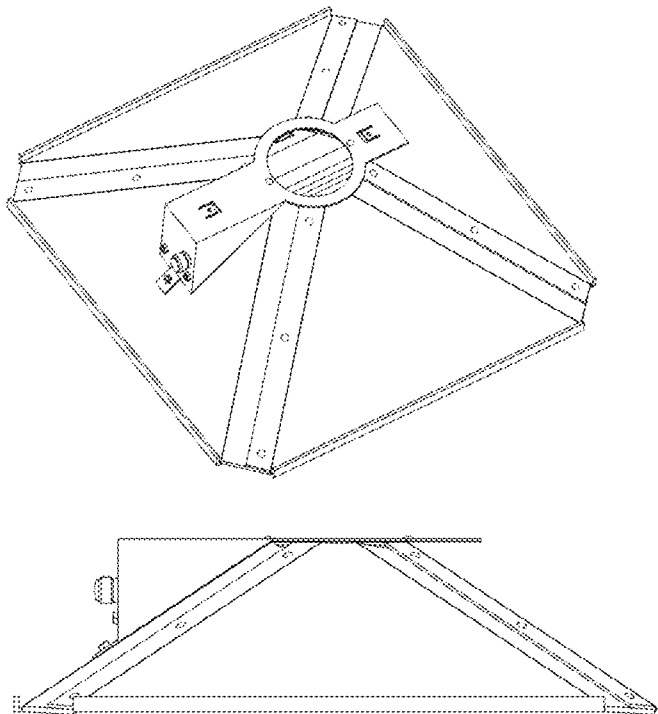
FIG. 7 is a top plan view of the reflector of FIG. 1;

FIG. 8 is a front, left perspective view from above of the reflector of FIG. 1; and,

FIG. 9 is a front, right perspective view from above of the reflector of FIG. 1.

The broken lines shown in the drawings illustrating portions of the reflector form no part of the claimed design.

**1 Claim, 9 Drawing Sheets**



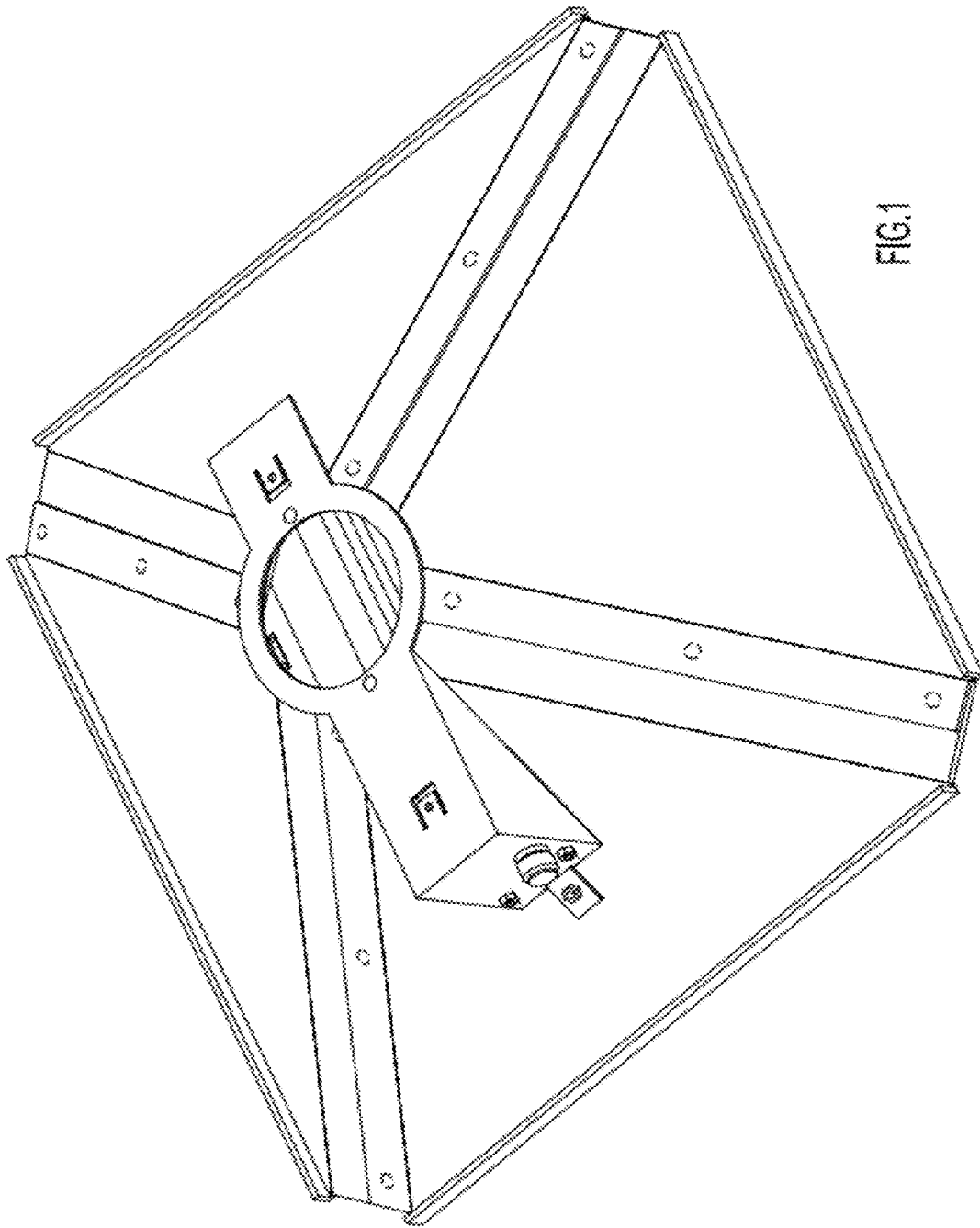


FIG.1

FIG 2

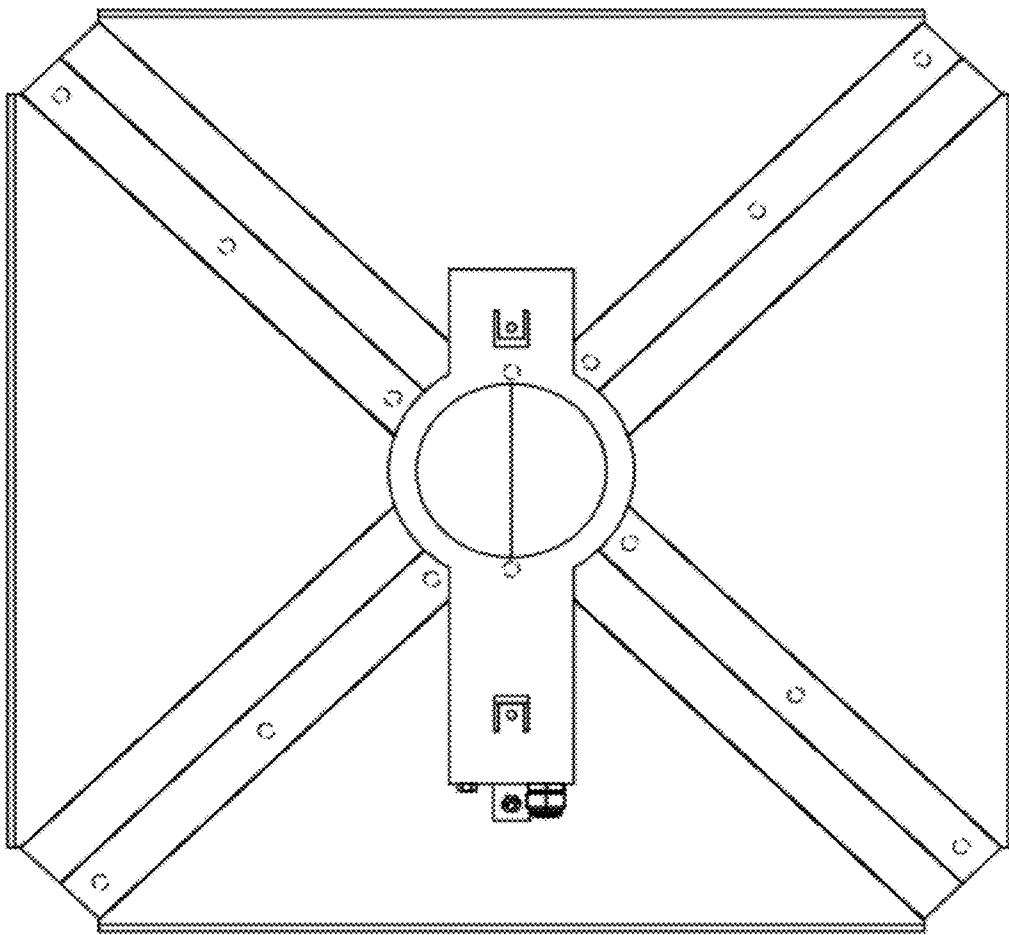
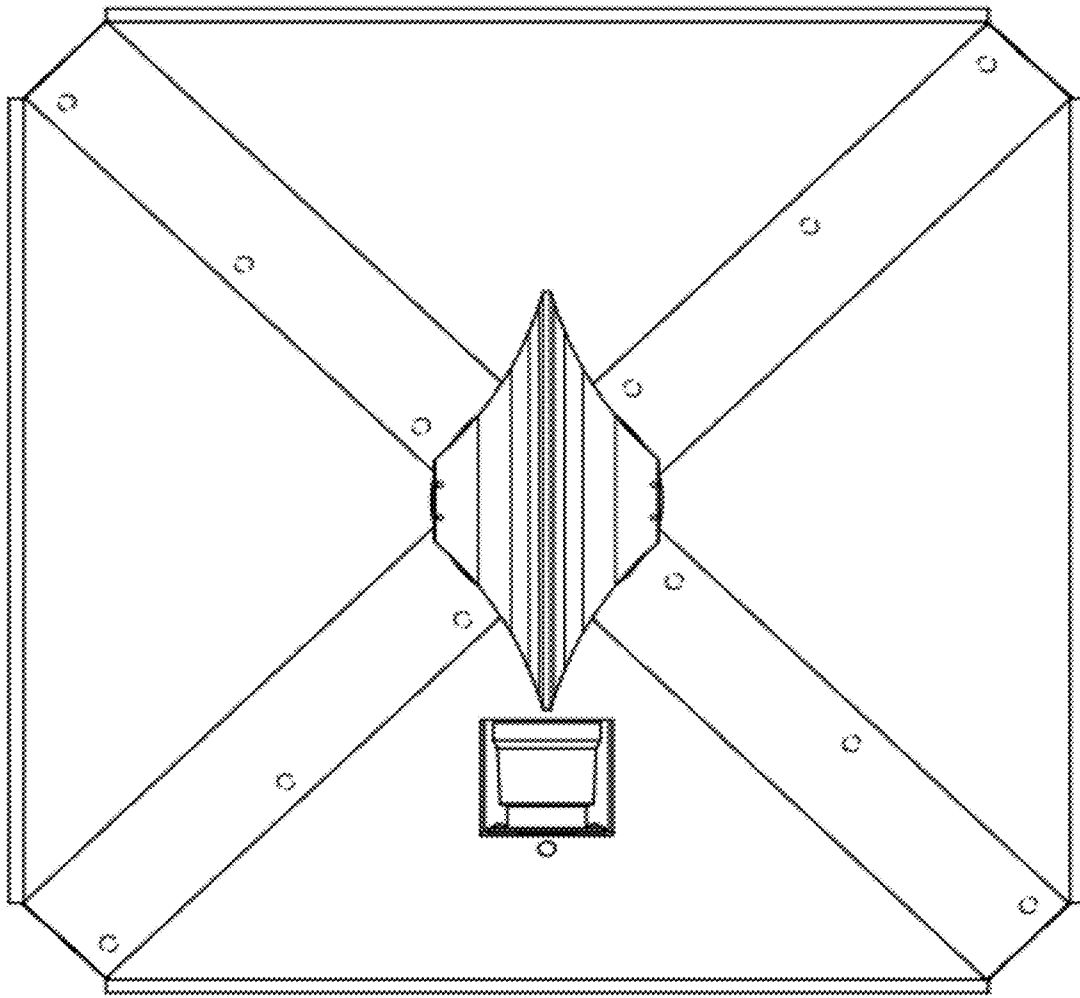


FIG. 3



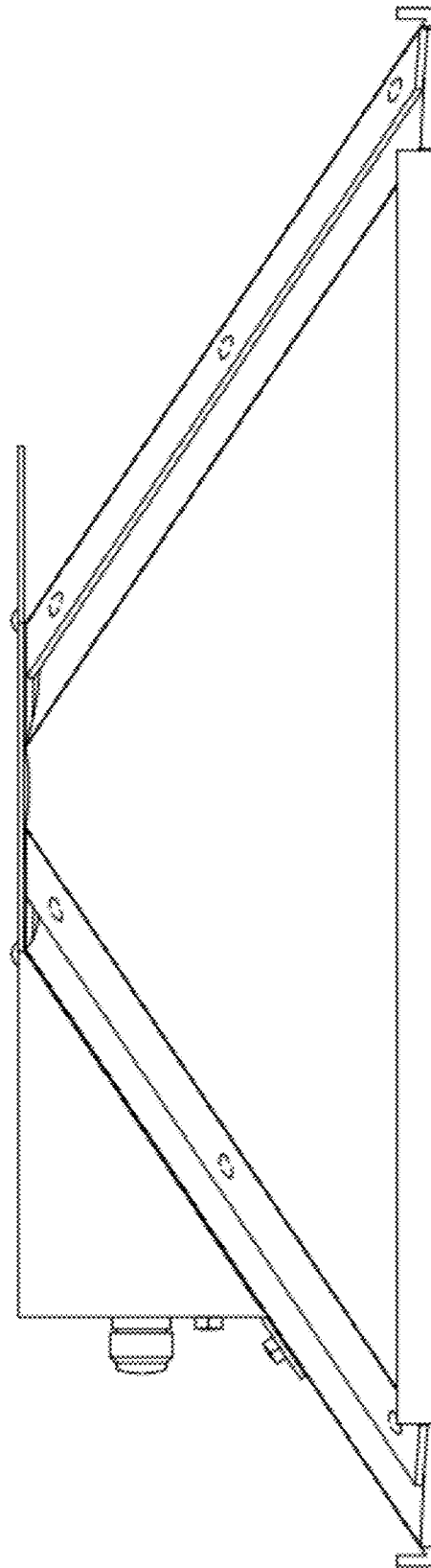


FIG.4

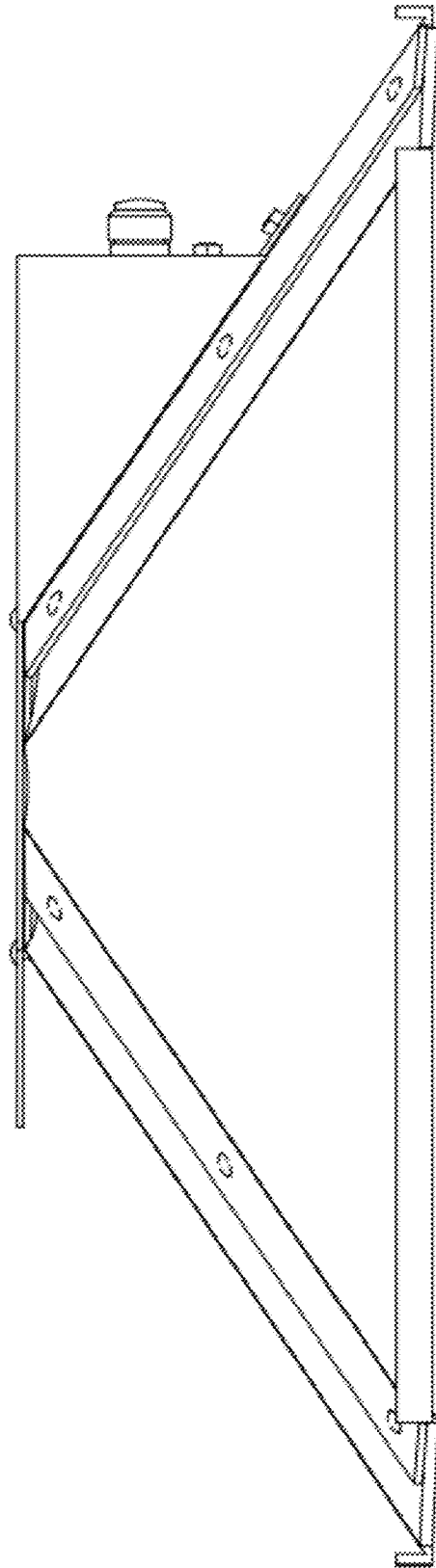


FIG.5

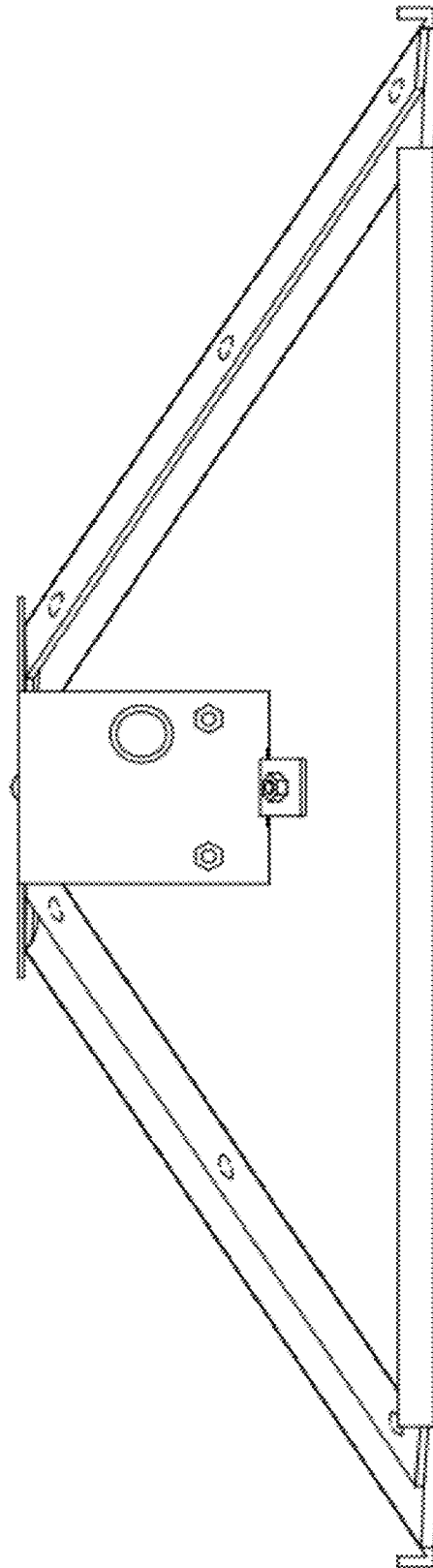


FIG.6

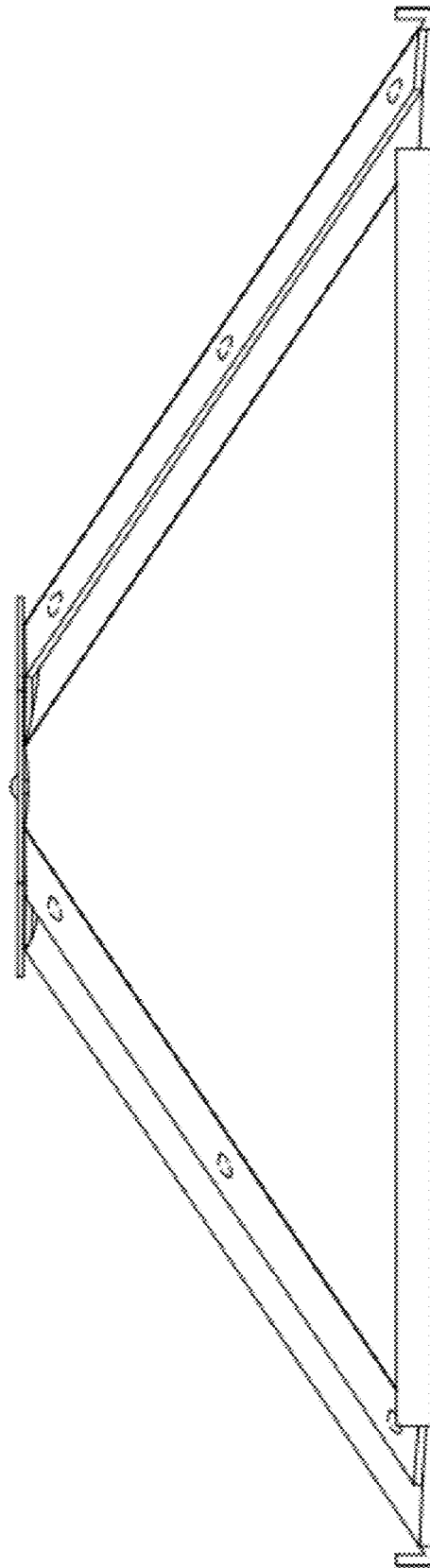


FIG.7



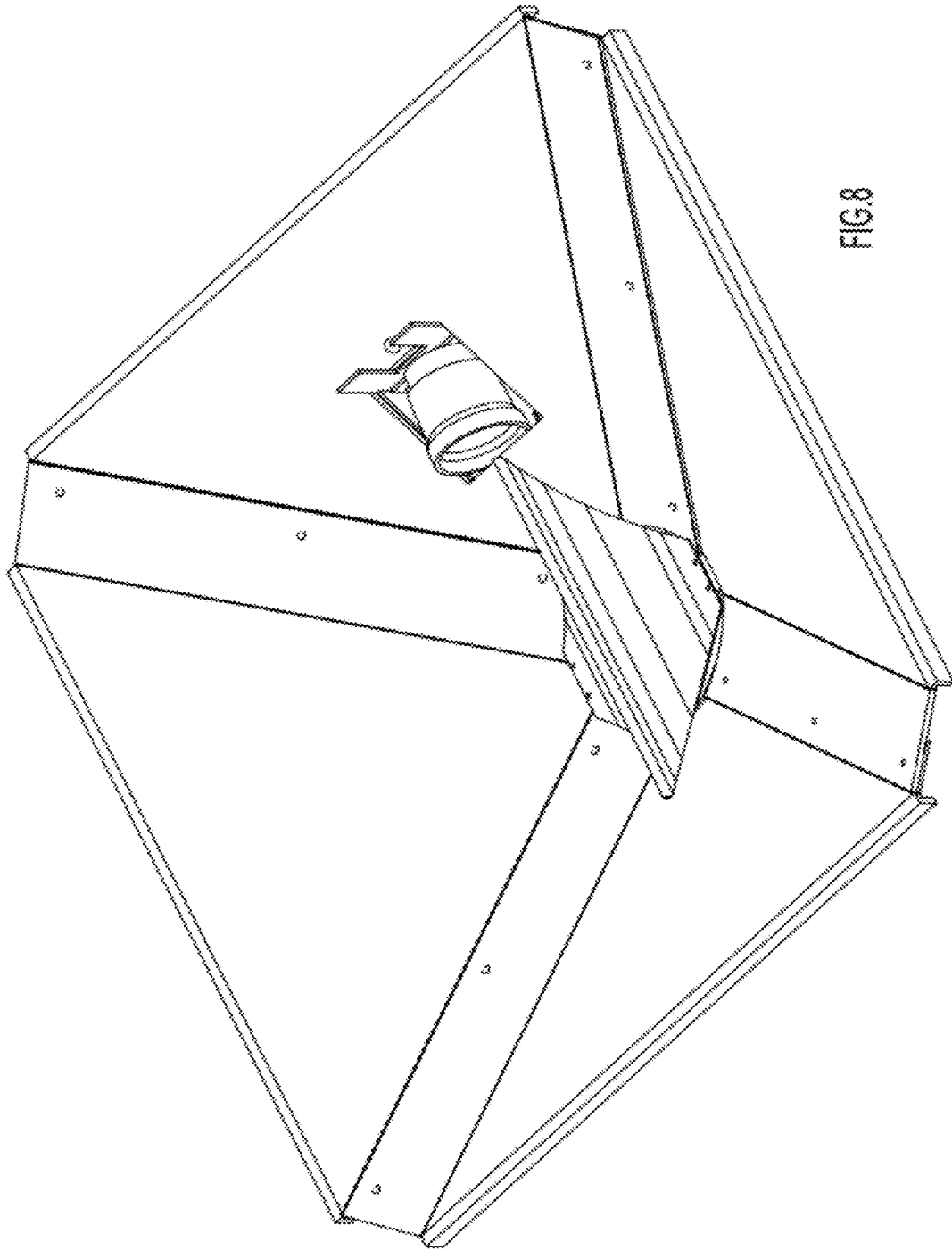


FIG.8

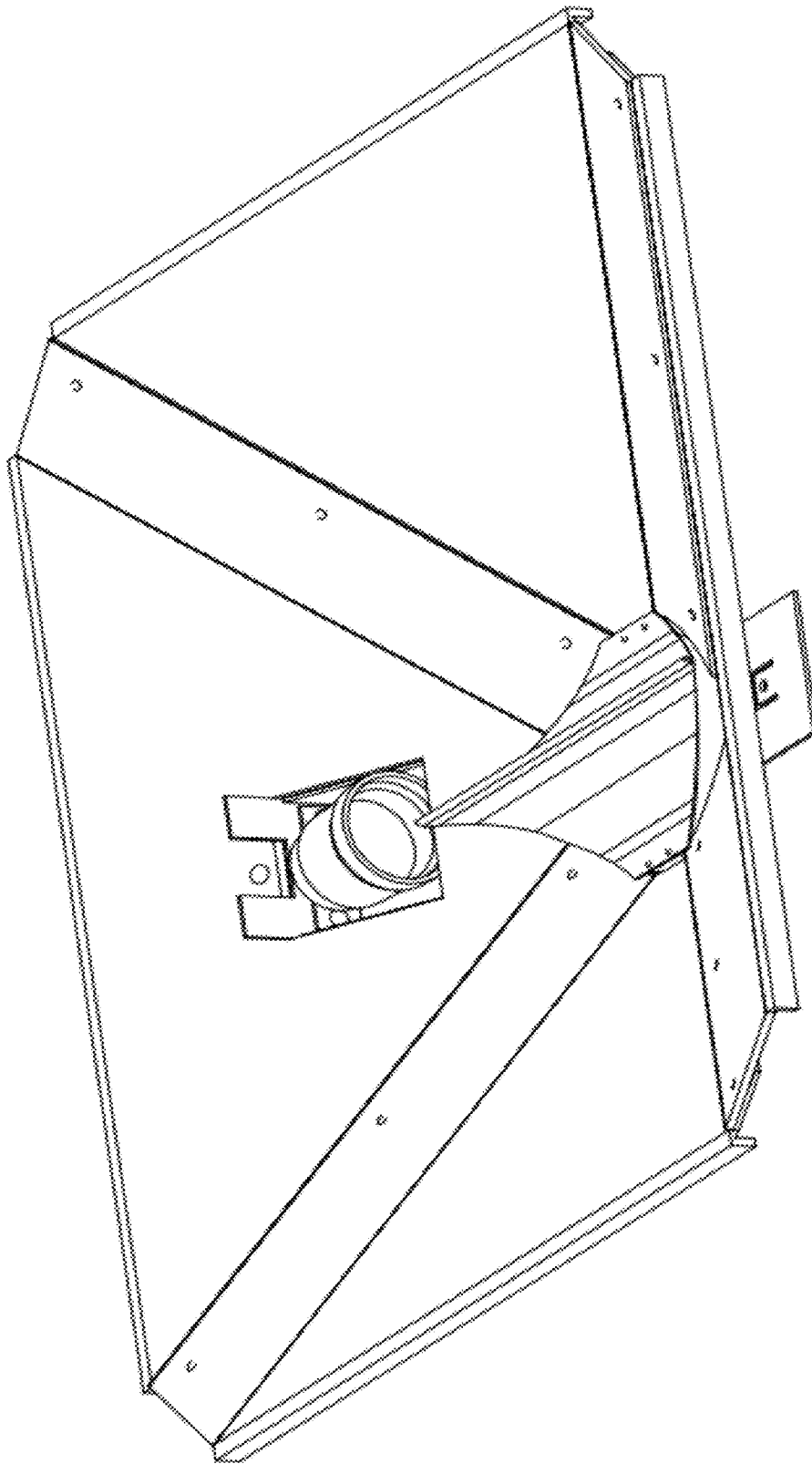


FIG.9