



US00D879043S

(12) **United States Design Patent**  
**Hu**

(10) **Patent No.:** **US D879,043 S**

(45) **Date of Patent:** **\*\* Mar. 24, 2020**

(54) **ELECTRICAL CABLE PLUG**

(71) Applicant: **Qingdao Baobin Electronics Technology Co., Ltd.**, Qingdao, Shandong (CN)

(72) Inventor: **Baobin Hu**, Shandong (CN)

(\*\*) Term: **15 Years**

(21) Appl. No.: **29/708,973**

(22) Filed: **Oct. 10, 2019**

(51) **LOC (12) Cl.** ..... **13-03**

(52) **U.S. Cl.**  
USPC ..... **D13/133**

(58) **Field of Classification Search**  
USPC ..... D13/107, 108, 110, 123, 133, 146, 147, D13/149, 153, 154, 156, 173, 184, 199  
CPC ... G02B 6/38; H01R 4/66; H01R 9/00; H01R 11/00; H01R 12/24; H01R 13/00; H01R 13/436; H01R 13/58; H01R 13/625; H01R 13/627; H01R 13/64; H01R 13/645  
See application file for complete search history.

(56) **References Cited**

U.S. PATENT DOCUMENTS

D245,417	S *	8/1977	Kneller	.....	D13/145
4,138,185	A *	2/1979	Jaconette, Jr.	.....	H01R 13/5825 174/156
D257,035	S *	9/1980	Ostreich	.....	D13/138.1
D524,742	S *	7/2006	Kumagai	.....	D13/147
7,214,086	B1 *	5/2007	Hsieh	.....	H01R 13/53 439/352
D577,678	S	9/2008	Ball et al.		
D586,759	S *	2/2009	Victor	.....	D13/156
D616,364	S *	5/2010	Nylen	.....	D13/108

D625,688	S *	10/2010	So	.....	D13/133
D636,340	S *	4/2011	Sasaki	.....	D13/147
D642,128	S *	7/2011	Ohkuma	.....	D13/133
D642,984	S *	8/2011	Sasaki	.....	D13/147
8,221,163	B2 *	7/2012	Kawakami	.....	H01R 13/6593 439/607.13
D753,662	S *	4/2016	Arrington	.....	D14/433
D806,653	S *	1/2018	DeCosta	.....	D13/133
2004/0147170	A1 *	7/2004	Greenwood	.....	H01R 13/504 439/696
2009/0247017	A1 *	10/2009	Wu	.....	H01R 13/502 439/660

\* cited by examiner

*Primary Examiner* — Angela J Lee

*Assistant Examiner* — Shawn T Gingrich

(74) *Attorney, Agent, or Firm* — ZanIP; Jie Yang

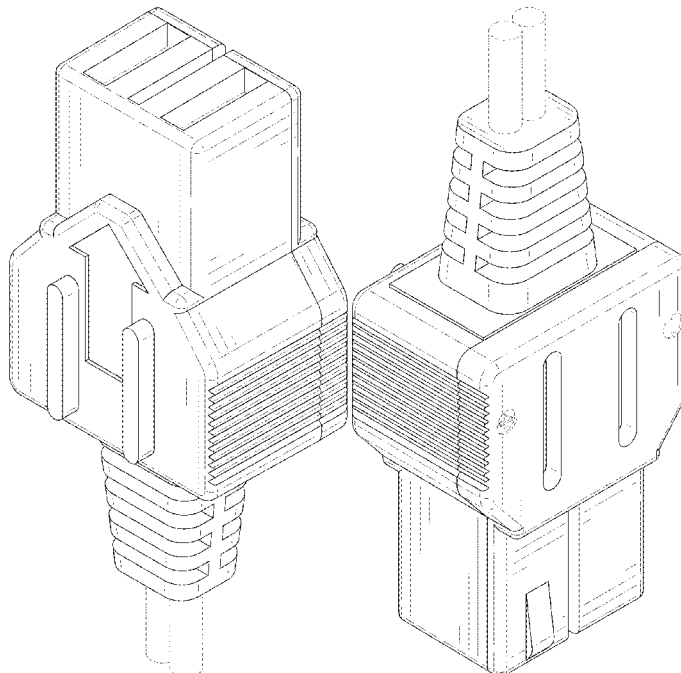
(57) **CLAIM**

The ornamental design for an electrical cable plug, as shown and described.

**DESCRIPTION**

FIG. 1 is a front and top perspective view of an electrical cable plug, showing my new design; FIG. 2 is a rear and bottom perspective view thereof; FIG. 3 is a front elevational view thereof; FIG. 4 is a rear elevational view thereof; FIG. 5 is a left side elevational view thereof; FIG. 6 is a right side elevational view thereof; FIG. 7 is a top plan view thereof; FIG. 8 is a bottom plan view thereof; and, FIG. 9 is an enlarged view of a portion indicated in FIG. 8. The broken lines in the figures illustrate portions of the electrical cable plug that form no part of the claimed design.

**1 Claim, 9 Drawing Sheets**



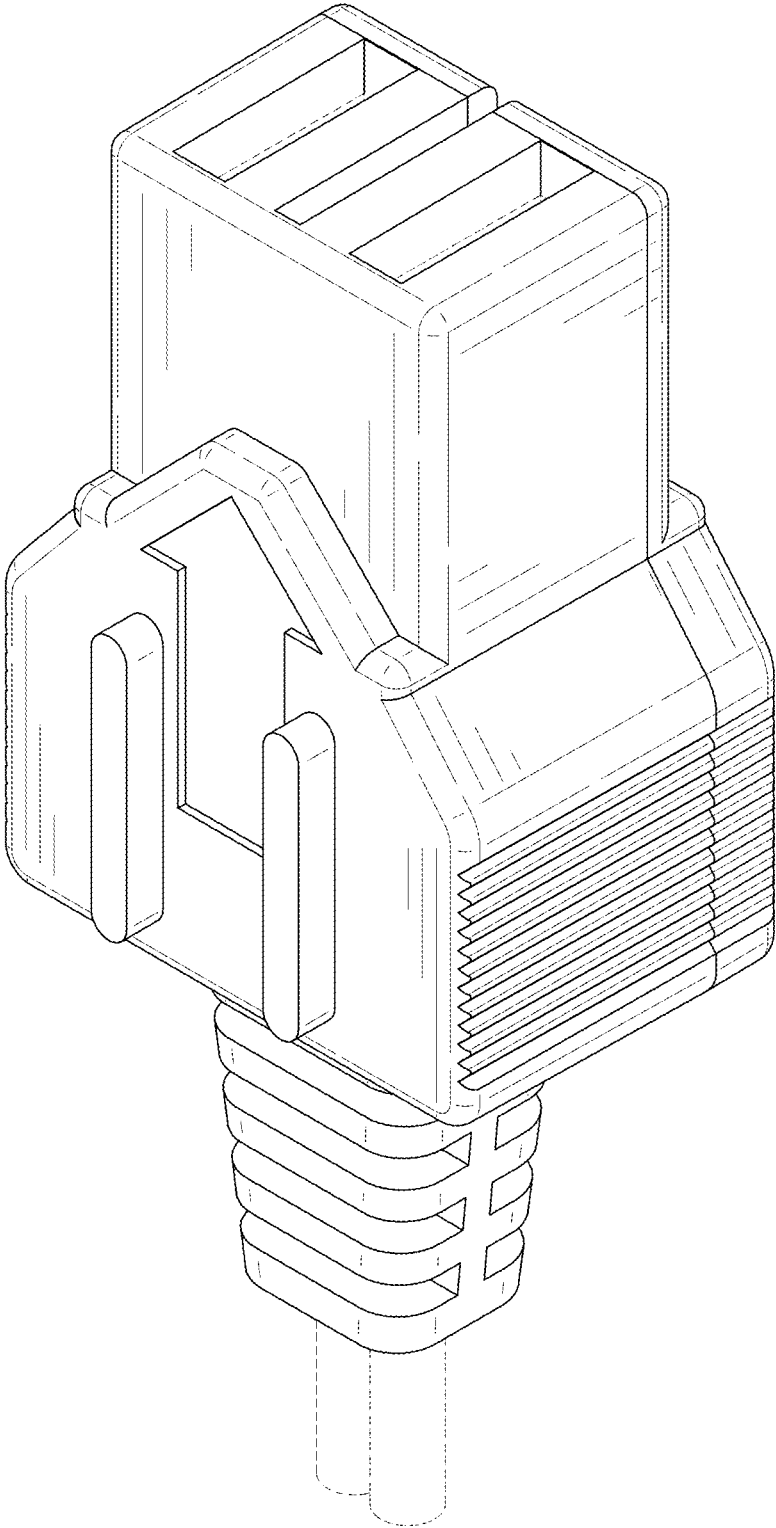


FIG. 1

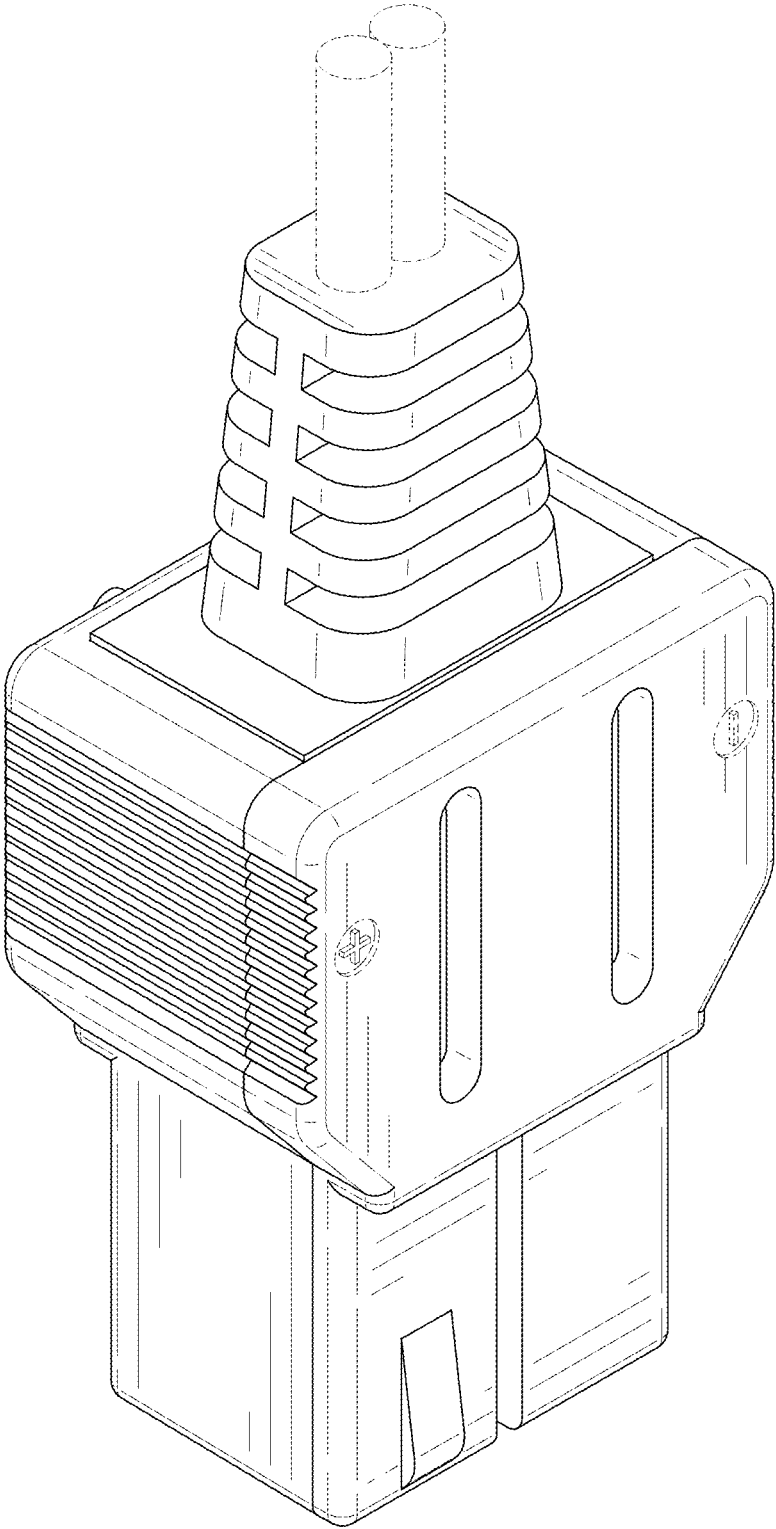


FIG. 2

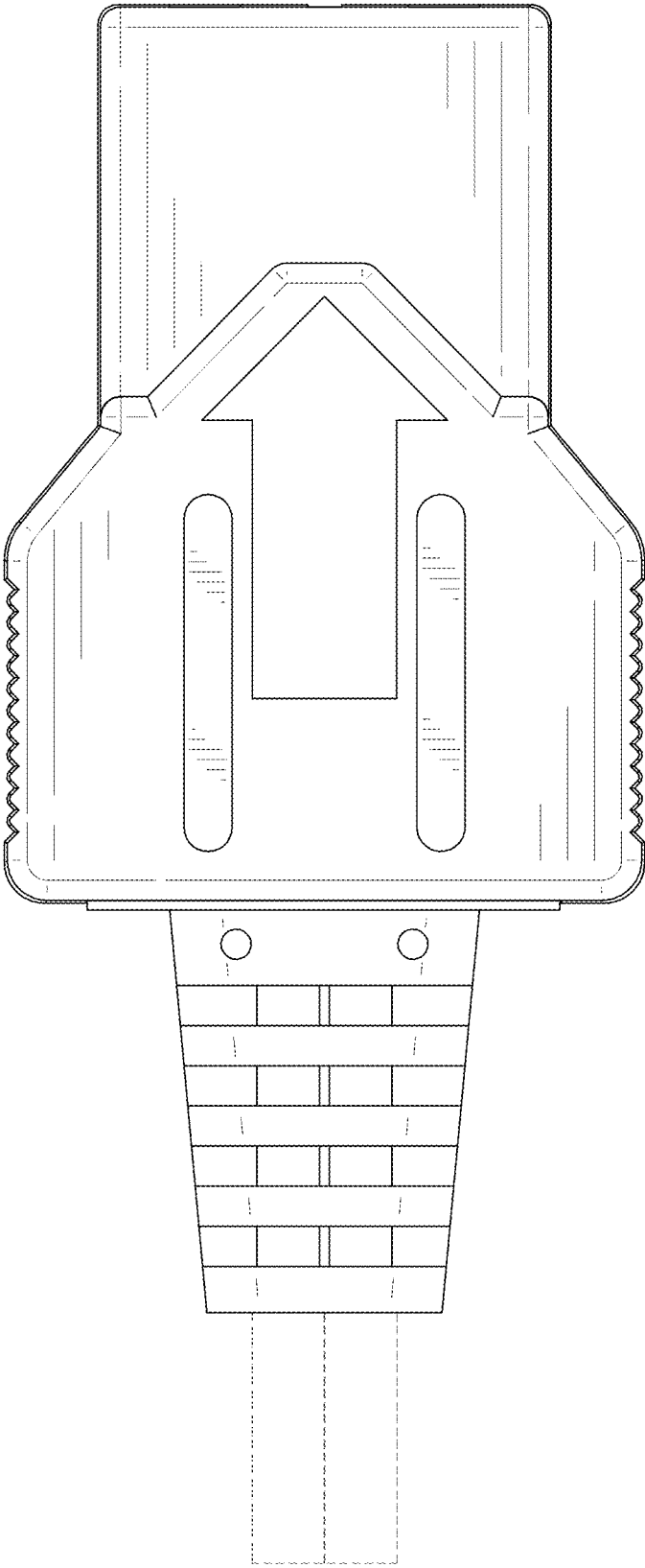


FIG. 3

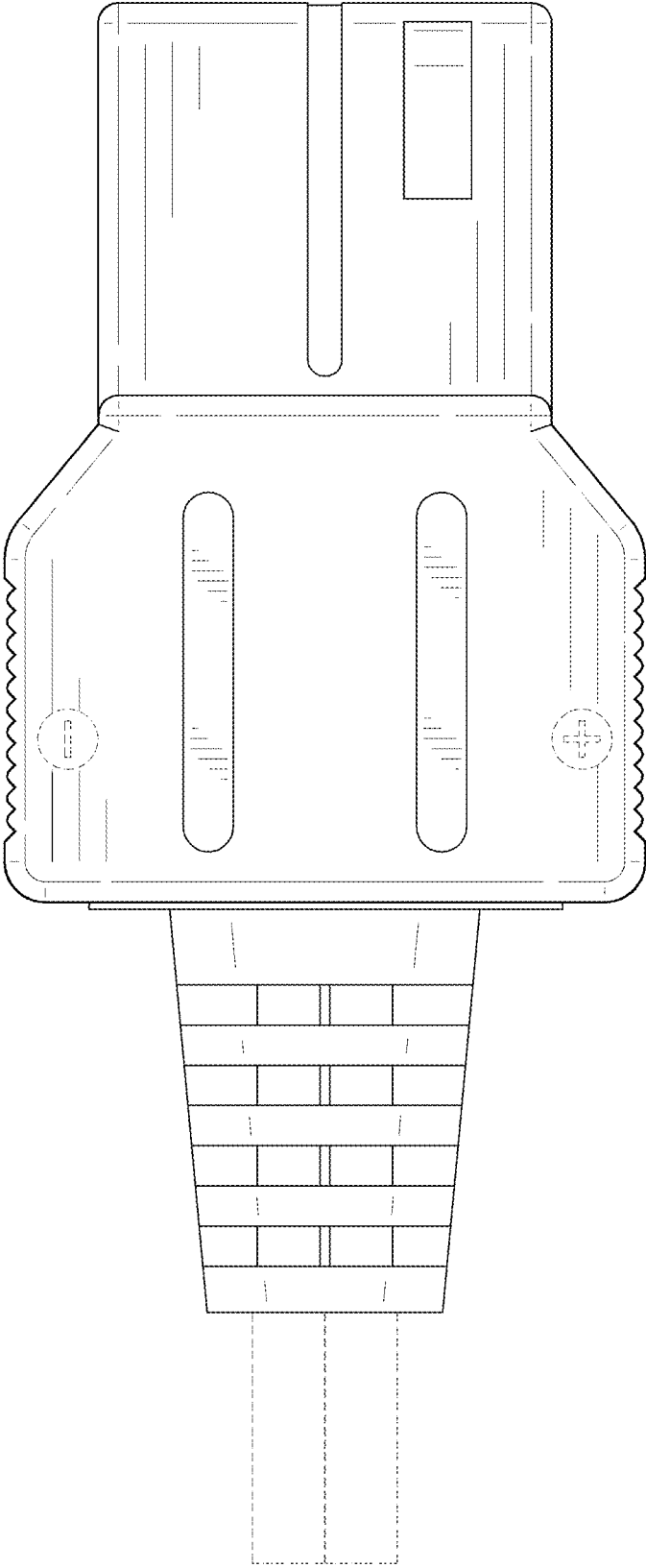


FIG. 4

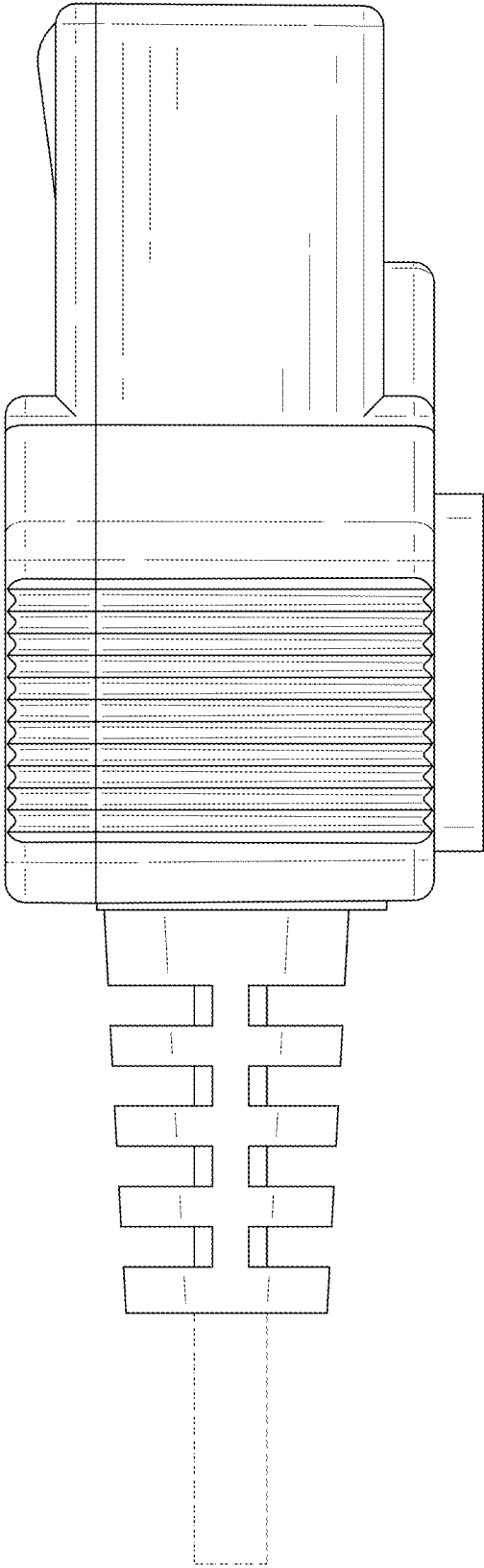


FIG. 5

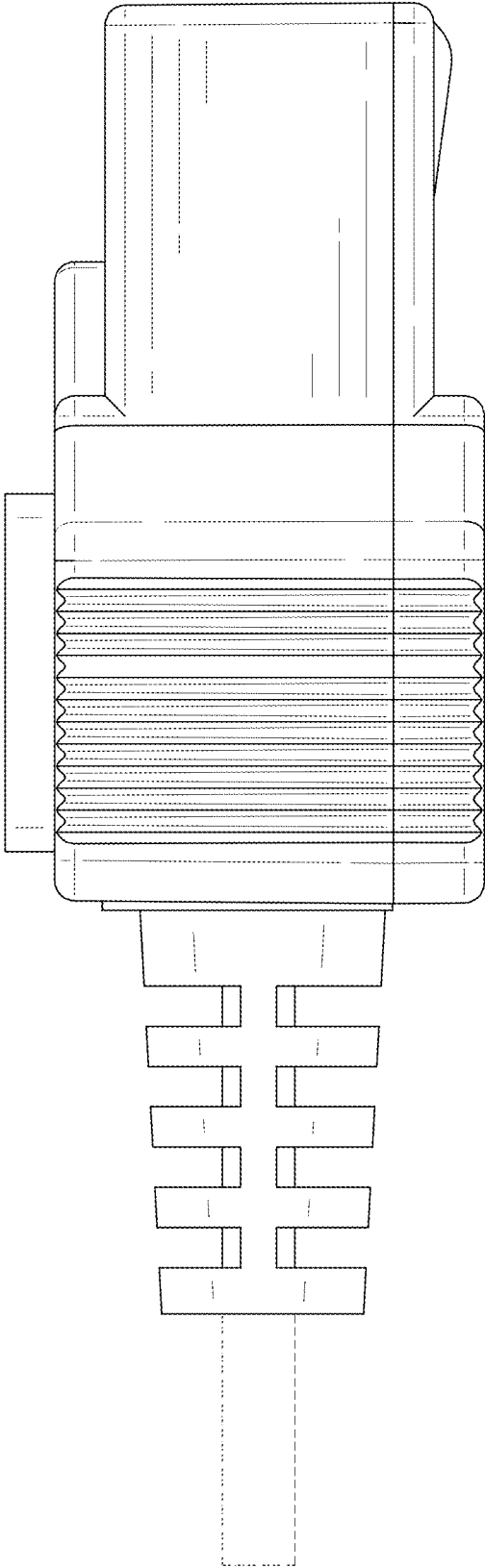


FIG. 6

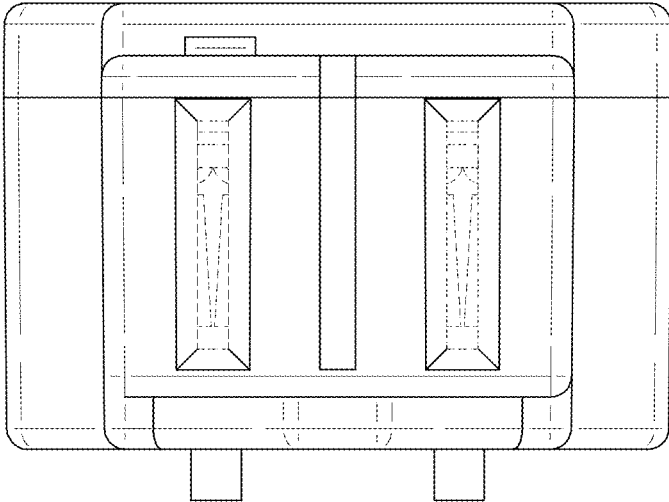


FIG. 7



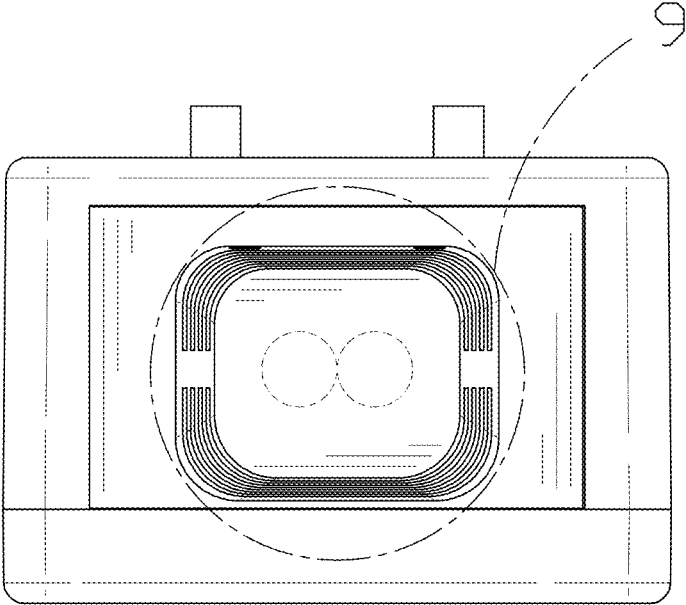


FIG. 8

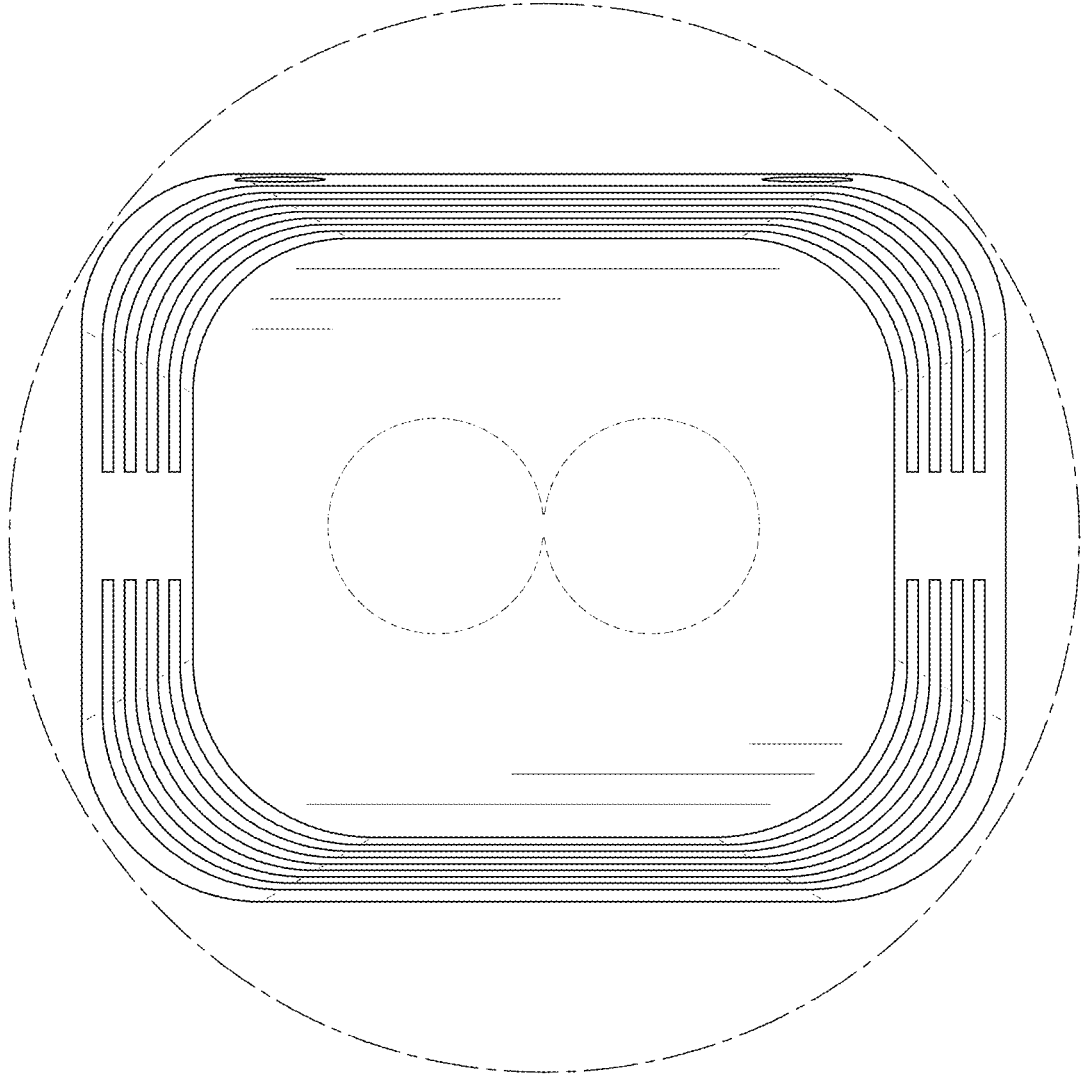


FIG. 9