



US00D432030S

United States Patent [19]
Stekelenburg

[11] **Patent Number: Des. 432,030**
[45] **Date of Patent: ** Oct. 17, 2000**

[54] **TIMER**
[75] **Inventor: Albert Stekelenburg, Taipei, Taiwan**
[73] **Assignee: All-Time Inc., Taipei, Taiwan**
[**] **Term: 14 Years**

D. 402,902 12/1998 Chen D10/40
D. 402,903 12/1998 Chen D10/40
D. 405,376 2/1999 Stekelenburg D10/40
2,670,794 3/1954 Gallegher D10/40 X

Primary Examiner—Nelson C. Holtje
Attorney, Agent, or Firm—Dougherty & Troxell

[21] **Appl. No.: 29/118,702**
[22] **Filed: Feb. 14, 2000**

[57] **CLAIM**
The ornamental design for a timer, as shown and described.

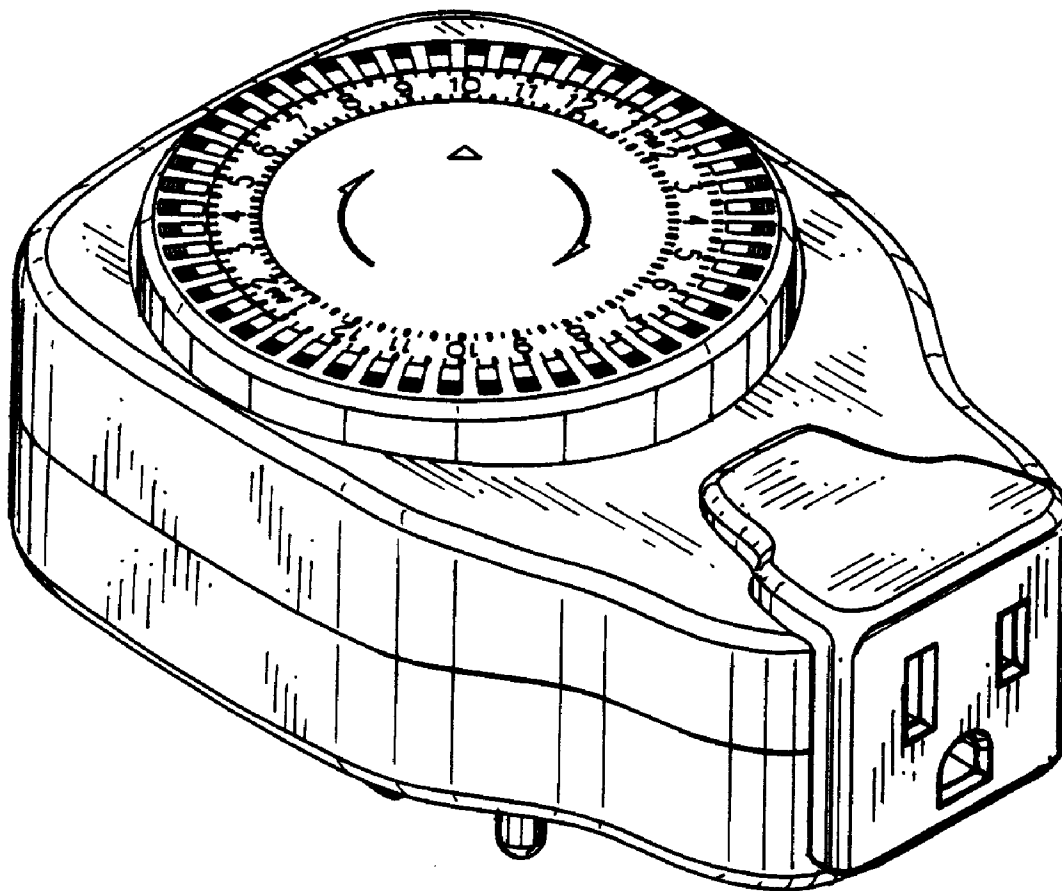
[51] **LOC (7) Cl. 10-03**
[52] **U.S. Cl. D10/40**
[58] **Field of Search D10/1-40, 122-132;**
200/38 R; 368/96-100, 107-121, 276-277,
285, 316, 317; 307/141 R, 141.4

DESCRIPTION

FIG. 1 is a front view of a timer showing the preferred embodiment of my new design;
FIG. 2 is a right side elevational view thereof;
FIG. 3 is a bottom view thereof;
FIG. 4 is a left side elevational view thereof;
FIG. 5 is a rear view thereof;
FIG. 6 is a top elevational view thereof; and,
FIG. 7 is a perspective view thereof.

[56] **References Cited**
U.S. PATENT DOCUMENTS
D. 265,553 7/1982 Joss et al. D10/40
D. 296,878 7/1988 Rakocy D10/40
D. 380,396 7/1997 Svarnias et al. D10/40

1 Claim, 3 Drawing Sheets



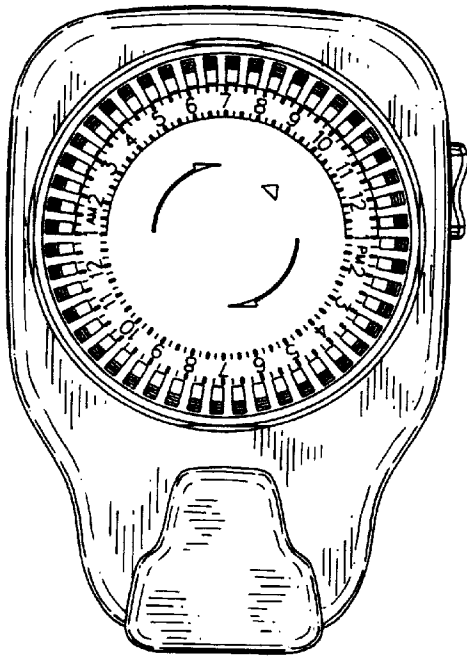


FIG. 1

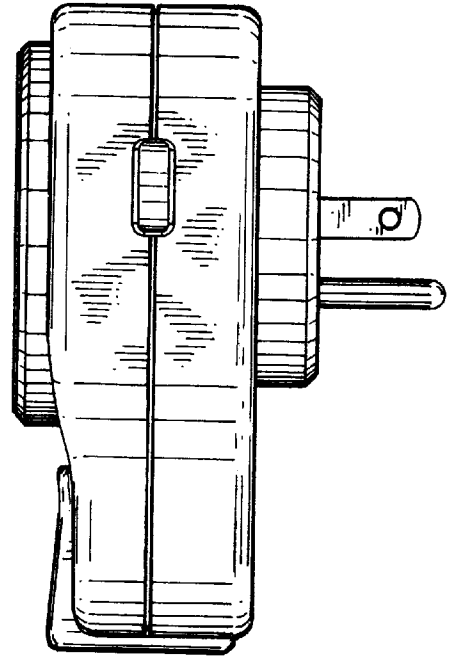


FIG. 2

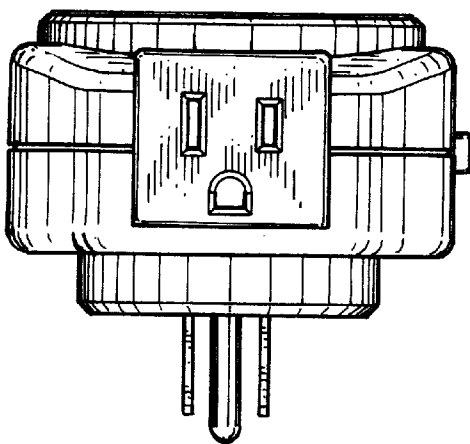


FIG. 3

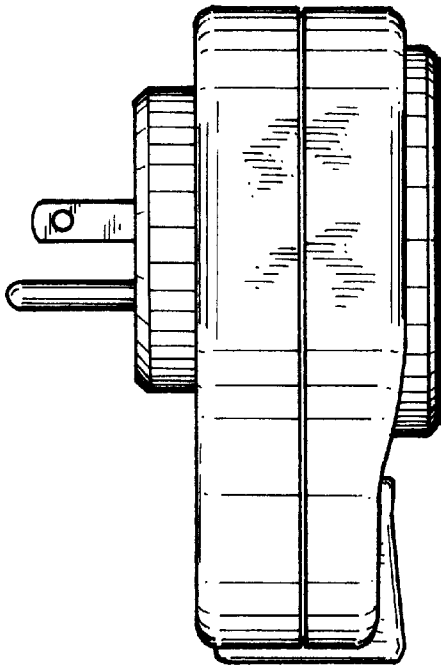


FIG. 4

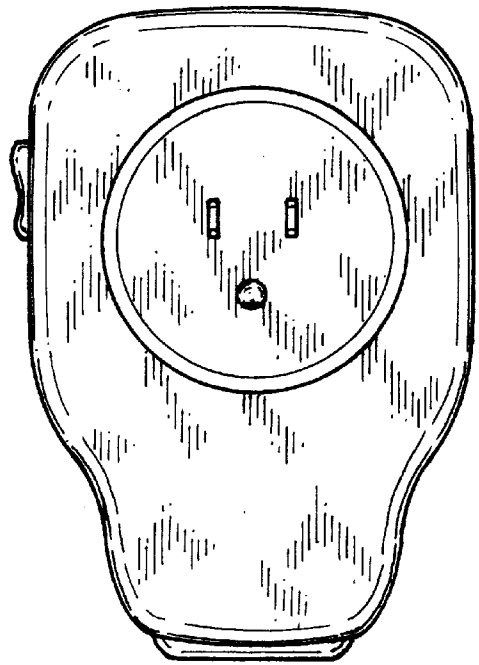


FIG. 5

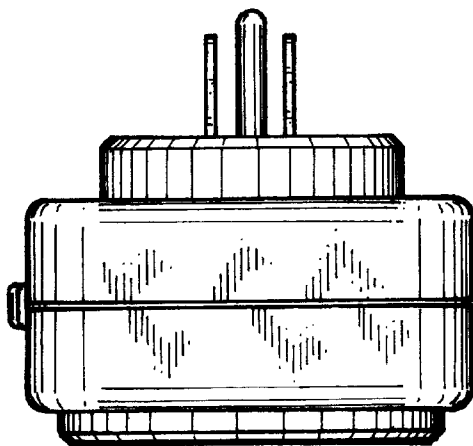


FIG. 6

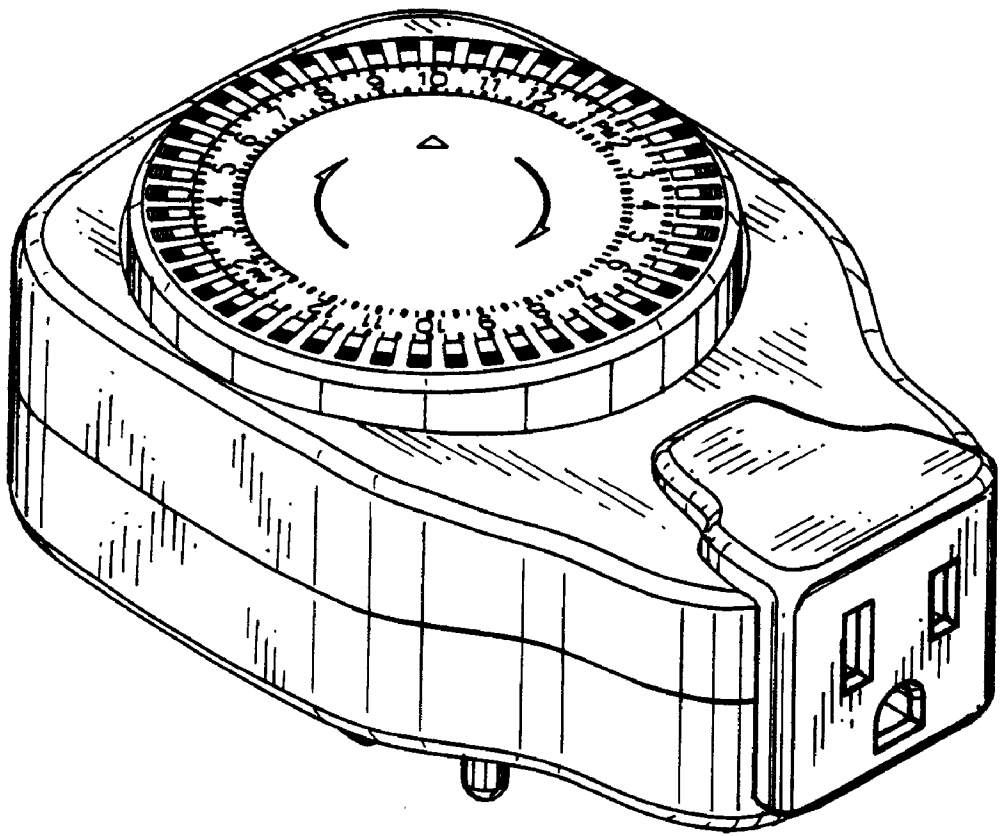


FIG. 7