

(19) World Intellectual Property Organization
International Bureau



(43) International Publication Date
15 May 2008 (15.05.2008)

PCT

(10) International Publication Number
WO 2008/057977 A3

(51) International Patent Classification:

F01P 5/04 (2006.01) F01P 11/12 (2006.01)
E02F 9/22 (2006.01) F01P 5/02 (2006.01)
F01P 7/04 (2006.01) F01P 1/00 (2006.01)

ND 58054 (US). ASCHE, Jason, J. [US/US]; 12725 80th Street SE, Gwinner, ND 58040 (US).

(74) Agent: PRICE, David, R.; Michael Best & Friedrich LLP, 100 E. Wisconsin Ave., Suite 3300, Milwaukee, WI 53202-4108 (US).

(21) International Application Number:

PCT/US2007/083401

(81) Designated States (unless otherwise indicated, for every kind of national protection available): AE, AG, AL, AM, AT, AU, AZ, BA, BB, BG, BH, BR, BW, BY, BZ, CA, CH, CN, CO, CR, CU, CZ, DE, DK, DM, DO, DZ, EC, EE, EG, ES, FI, GB, GD, GE, GH, GM, GT, HN, HR, HU, ID, IL, IN, IS, JP, KE, KG, KM, KN, KP, KR, KZ, LA, LC, LK, LR, LS, LT, LU, LY, MA, MD, ME, MG, MK, MN, MW, MX, MY, MZ, NA, NG, NI, NO, NZ, OM, PG, PH, PL, PT, RO, RS, RU, SC, SD, SE, SG, SK, SL, SM, SV, SY, TJ, TM, TN, TR, TT, TZ, UA, UG, US, UZ, VC, VN, ZA, ZM, ZW.

(22) International Filing Date:

2 November 2007 (02.11.2007)

(25) Filing Language:

English

(26) Publication Language:

English

(30) Priority Data:

11/594,608 8 November 2006 (08.11.2006) US

(71) Applicant (for all designated States except US): CLARK EQUIPMENT COMPANY [US/US]; 155 Chestnut Ridge Road, Montvale, NJ 07645 (US).

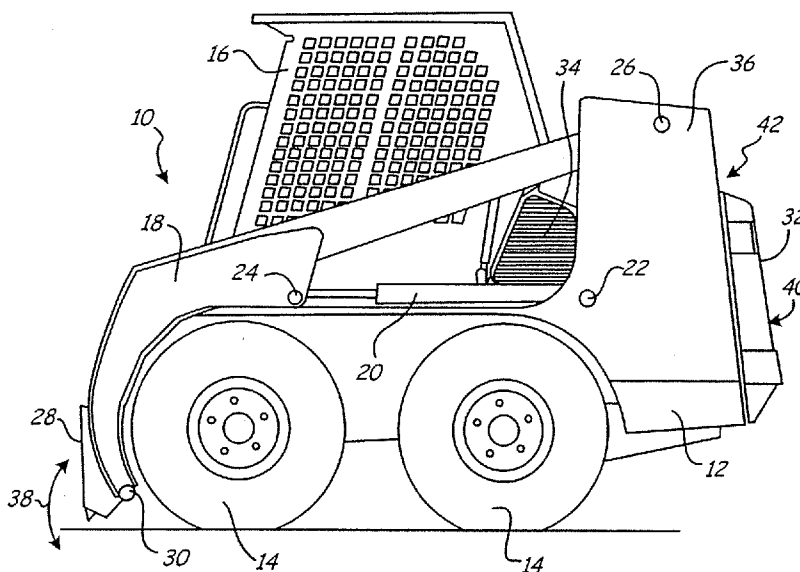
(84) Designated States (unless otherwise indicated, for every kind of regional protection available): ARIPO (BW, GH, GM, KE, LS, MW, MZ, NA, SD, SL, SZ, TZ, UG, ZM, ZW), Eurasian (AM, AZ, BY, KG, KZ, MD, RU, TJ, TM), European (AT, BE, BG, CH, CY, CZ, DE, DK, EE, ES, FI, FR, GB, GR, HU, IE, IS, IT, LT, LU, LV, MC, MT, NL, PL, PT, RO, SE, SI, SK, TR), OAPI (BF, BJ, CF, CG, CI, CM, GA, GN, GQ, GW, ML, MR, NE, SN, TD, TG).

(72) Inventors; and

(75) Inventors/Applicants (for US only): TUHY, Lance, S. [US/US]; 3351 Washington Street, Fargo, ND 58104 (US). ANDERSON, Tyler, H. [US/US]; P.O. Box 503, Lisbon,

[Continued on next page]

(54) Title: RADIAL VENTING AXIAL FAN FOR A POWER MACHINE



(57) Abstract: A heat exchange system for a power machine that has an engine compartment and a heat exchanger compartment is discussed. The heat exchange system includes a fan housing located between the heat exchanger compartment and the engine compartment. A fan assembly that includes an axial fan and a radial fan coupled to a center shaft having a longitudinal axis extending through the center shaft is positioned within the fan housing. The fan assembly is operably coupled to a fan drive mechanism that is configured to cause the fan assembly to rotate about the longitudinal axis in a first direction and a second direction. First and second control signals from a controller cause the drive mechanism to rotate in the first and second directions, respectively.

WO 2008/057977 A3



Published:

- *with international search report*
- *before the expiration of the time limit for amending the claims and to be republished in the event of receipt of amendments*

(88) Date of publication of the international search report:
10 July 2008

INTERNATIONAL SEARCH REPORT

International application No
PCT/US2007/083401.

A. CLASSIFICATION OF SUBJECT MATTER

INV. F01P5/04 E02F9/22
ADD. F01P7/04 F01P11/12 F01P5/02 F01P1/00

According to International Patent Classification (IPC) or to both national classification and IPC

B. FIELDS SEARCHED

Minimum documentation searched (classification system followed by classification symbols)

F01P E02F

Documentation searched other than minimum documentation to the extent that such documents are included in the fields searched

Electronic data base consulted during the international search (name of data base and, where practical, search terms used)

EPO-Internal

C. DOCUMENTS CONSIDERED TO BE RELEVANT

Category*	Citation of document, with indication, where appropriate, of the relevant passages	Relevant to claim No.
X	US 2003/015361 A1 (BLAND MARK [US]) 23 January 2003 (2003-01-23) abstract	7-13
Y	paragraphs [0025], [0026]	1-6, 14-20
Y	WO 01/04474 A (YANMAR DIESEL ENGINE CO [JP]; SAITO MASAHIRO [JP]; UYAMA TOSHIYUKI [JP] 18 January 2001 (2001-01-18) abstract figures 1-7	1-20
Y	EP 1 696 112 A (JTEKT HPI [FR]) 30 August 2006 (2006-08-30) paragraphs [0019], [0021], [0024], [0026], [0031] figures	1-20
	-/--	

Further documents are listed in the continuation of Box C.

See patent family annex.

* Special categories of cited documents:

A document defining the general state of the art which is not considered to be of particular relevance

E earlier document but published on or after the international filing date

L document which may throw doubts on priority claim(s) or which is cited to establish the publication date of another citation or other special reason (as specified)

O document referring to an oral disclosure, use, exhibition or other means

P document published prior to the international filing date but later than the priority date claimed

T later document published after the international filing date or priority date and not in conflict with the application but cited to understand the principle or theory underlying the invention

X document of particular relevance; the claimed invention cannot be considered novel or cannot be considered to involve an inventive step when the document is taken alone

Y document of particular relevance; the claimed invention cannot be considered to involve an inventive step when the document is combined with one or more other such documents, such combination being obvious to a person skilled in the art.

* & * document member of the same patent family

Date of the actual completion of the international search

6 May 2008

Date of mailing of the international search report

15/05/2008

Name and mailing address of the ISA/

European Patent Office, P.B. 5818 Patentlaan 2
NL - 2280 HV Rijswijk
Tel. (+31-70) 340-2040, Tx. 31 651 epo nl,
Fax: (+31-70) 340-3016

Authorized officer

Matray, J

INTERNATIONAL SEARCH REPORT

International application No

PCT/US2007/083401

C(Continuation). DOCUMENTS CONSIDERED TO BE RELEVANT		
Category*	Citation of document, with indication, where appropriate, of the relevant passages	Relevant to claim No.
Y	DE 102 23 126 A1 (KOMATSU MFG CO LTD [JP]) 30 January 2003 (2003-01-30) abstract paragraphs [0002], [0004] paragraphs [0015] - [0023] figures	1-6, 14-20
Y	JP 11 193719 A (KUBOTA KK) 21 July 1999 (1999-07-21) abstract figures	1-4,7-20
Y	JP 04 019322 A (TOYODA AUTOMATIC LOOM WORKS) 23 January 1992 (1992-01-23) abstract figures	1-6, 14-20
Y	JP 2004 251120 A (KOMATSU MFG CO LTD) 9 September 2004 (2004-09-09) abstract figures	1-6, 14-20
A	US 6 286 308 B1 (YOSHIDA NOBUMI [JP] ET AL) 11 September 2001 (2001-09-11) abstract figures	1-20

INTERNATIONAL SEARCH REPORT

Information on patent family members

International application No

PCT/US2007/083401

Patent document cited in search report	Publication date	Patent family member(s)	Publication date
US 2003015361 A1	23-01-2003	US 2004045754 A1	11-03-2004
WO 0104474 A	18-01-2001	JP 2001027130 A	30-01-2001
EP 1696112 A	30-08-2006	FR 2882536 A1	01-09-2006
DE 10223126 A1	30-01-2003	JP 2002349262 A	04-12-2002
JP 11193719 A	21-07-1999	NONE	
JP 4019322 A	23-01-1992	NONE	
JP 2004251120 A	09-09-2004	NONE	
US 6286308 B1	11-09-2001	WO 9829643 A1	09-07-1998
		JP 3897185 B2	22-03-2007
		JP 10184355 A	14-07-1998