

(12) **UK Patent Application** (19) **GB** (11) **2474606** (13) **A**

(43) Date of A Publication

20.04.2011

(21) Application No: **1101173.1**
 (22) Date of Filing: **21.07.2006**
 Date Lodged: **21.01.2011**
 (30) Priority Data:
 (31) **60702954** (32) **27.07.2005** (33) **US**
 (62) Divided from Application No **0800446.7** under Section 15(9) of the Patents Act 1977

(51) INT CL:
E21B 21/08 (2006.01) **E21B 21/10** (2006.01)
E21B 21/00 (2006.01)

(56) Documents Cited:
US 20040256161 A1 **US 20040206548 A1**

(58) Field of Search:
 INT CL **E21B**
 Other: **Online: WPI, EPODOC**

(71) Applicant(s):
Baker Hughes Incorporated
(Incorporated in USA - Delaware)
3900 Essex Lane, Suite 1200, P.O. Box 4740,
Houston, Texas 77210-4740,
United States of America

(72) Inventor(s):
Sven Kruegher
Gerald Heisig
Detlef Hahn
Volker Krueger
Peter Aronstam
Harald Grimmer
Roger Fincher
Larry Watkins

(continued on next page)

(54) Title of the Invention: **Active bottomhole pressure control with liner drilling and compulsion systems**
 Abstract Title: **Active wellbore pressure control**

(57) A method of controlling borehole pressure during non-drilling activities comprising circulating a non drilling fluid in the wellbore, setting or actuating wellbore equipment using the circulating non drilling fluid and operating an Active Pressure Differential device (APD device) 102 positioned in the wellbore to control the wellbore pressure. The non drilling activities may comprise completion or workover activities using completion or workover fluids. The non-drilling fluid may contain gravel particles. The APD reduces a dynamic pressure loss associated with the circulating non-drilling fluid.

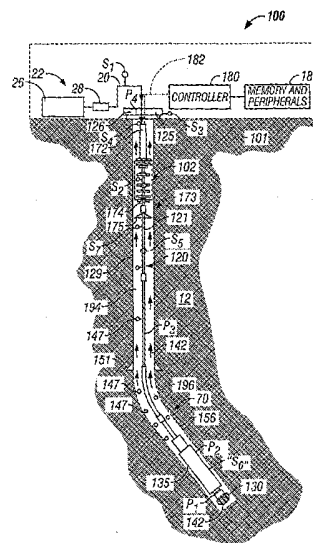


FIG. 1A

GB 2474606 A

GB 2474606 A continuation

(74) Agent and/or Address for Service:

Dehns

**St. Bride's House, 10 Salisbury Square, LONDON,
EC4Y 8JD, United Kingdom**

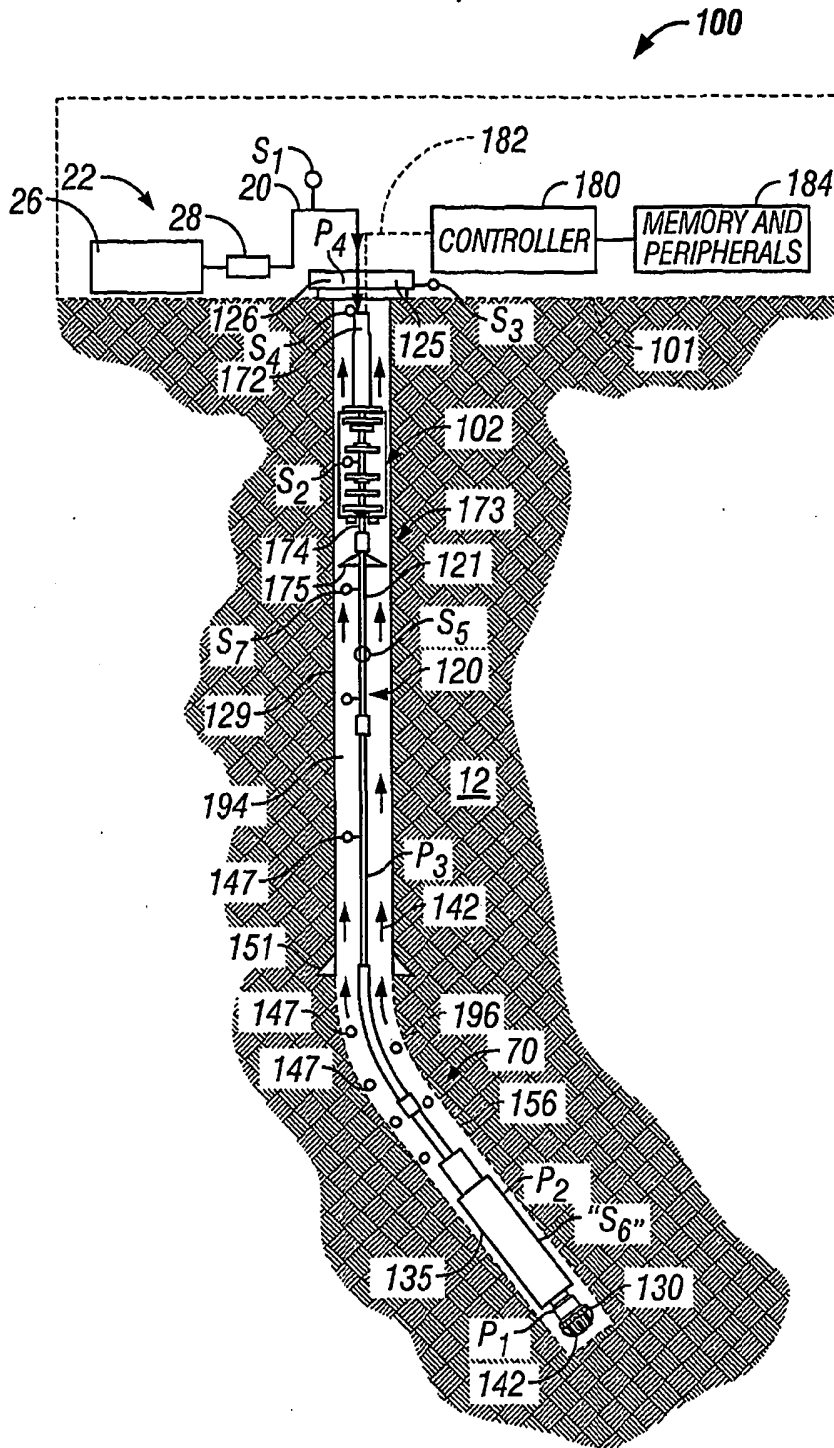


FIG. 1A

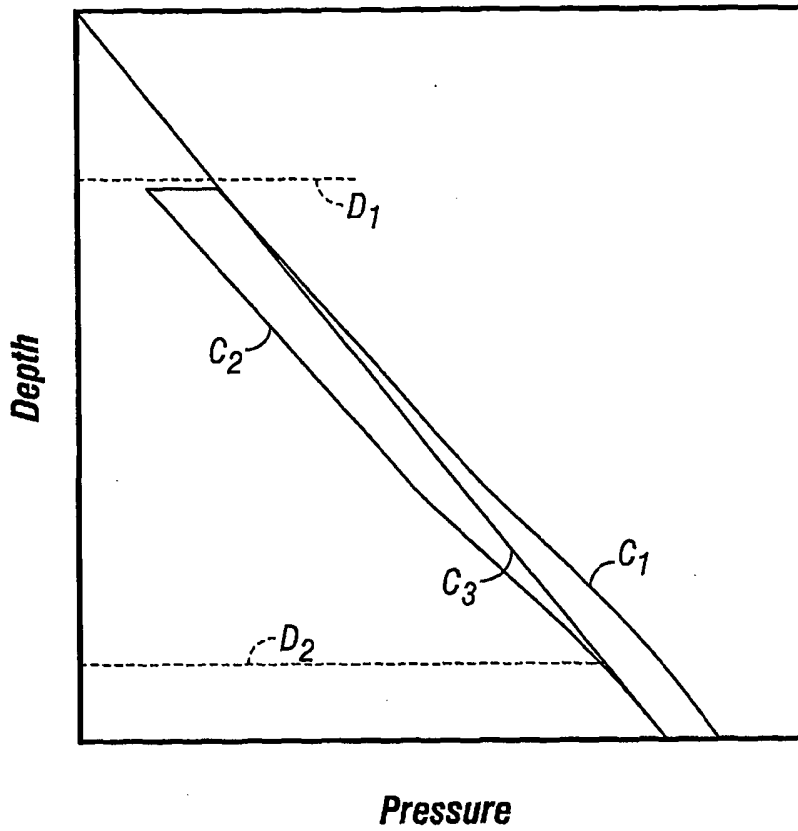


FIG. 1B

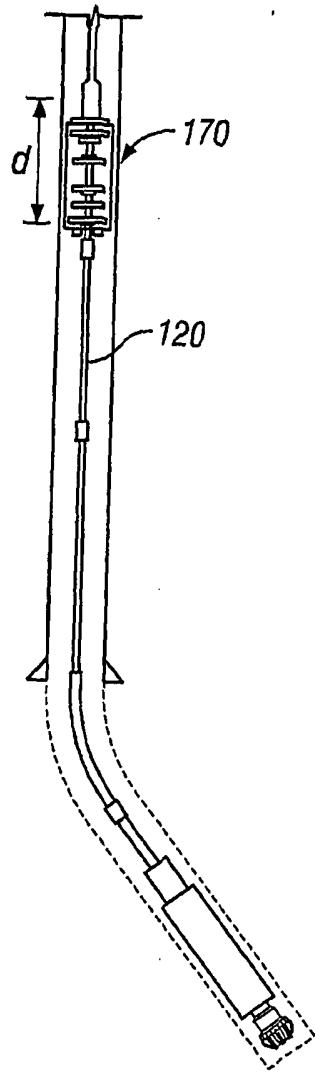


FIG. 2

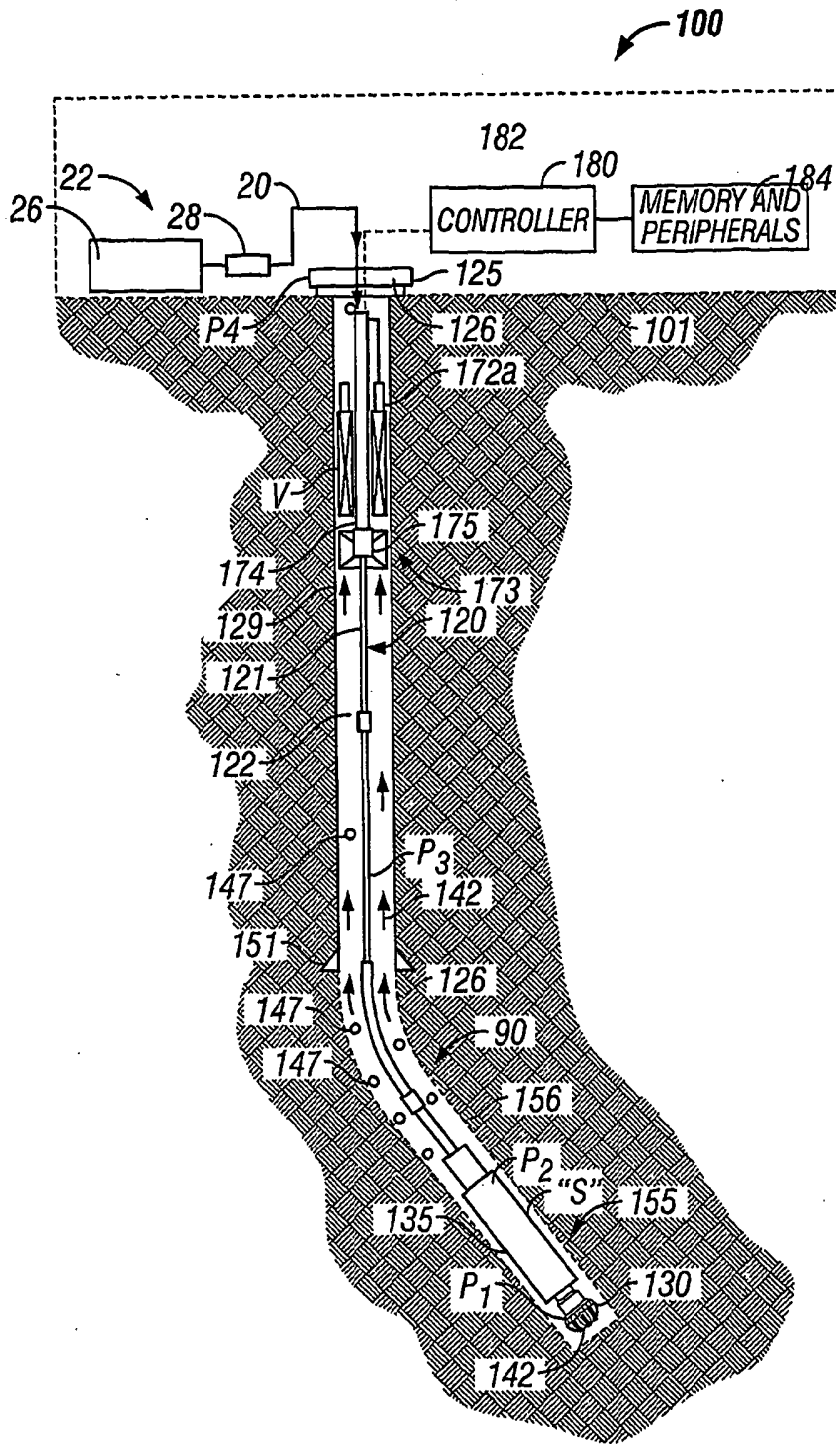


FIG. 3

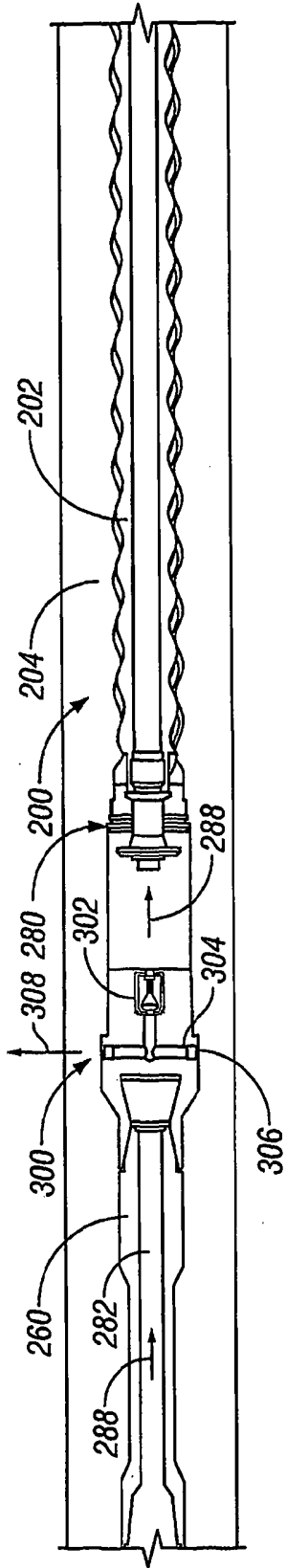


FIG. 4A

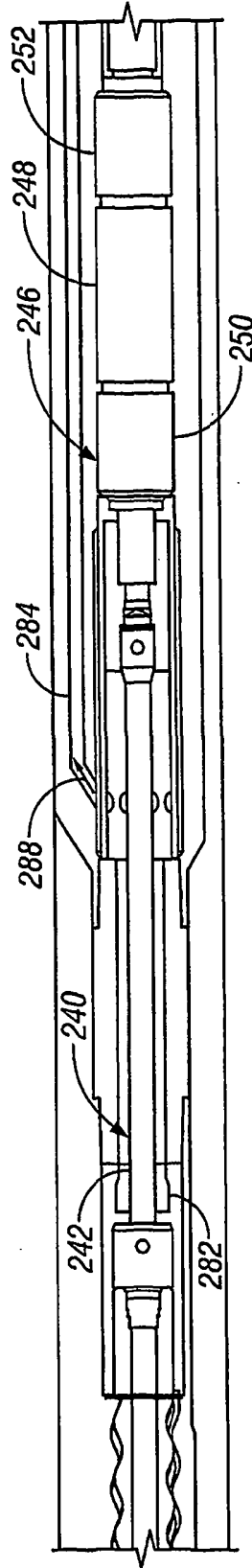


FIG. 4B

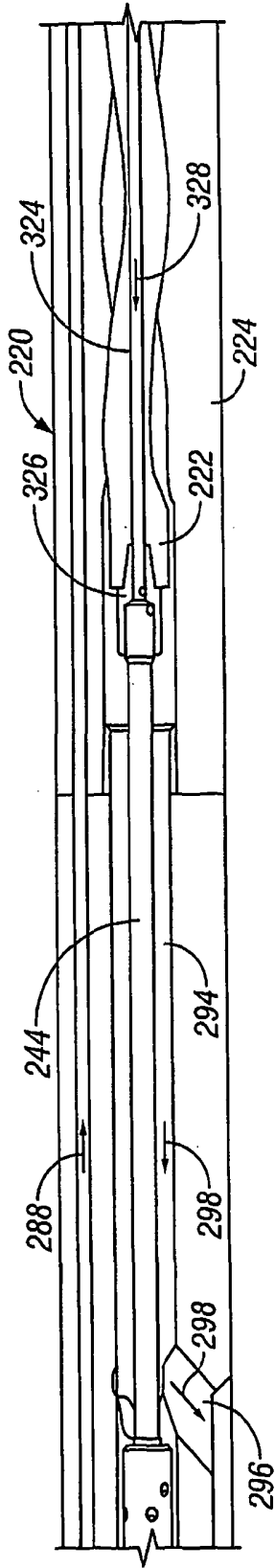


FIG. 4C

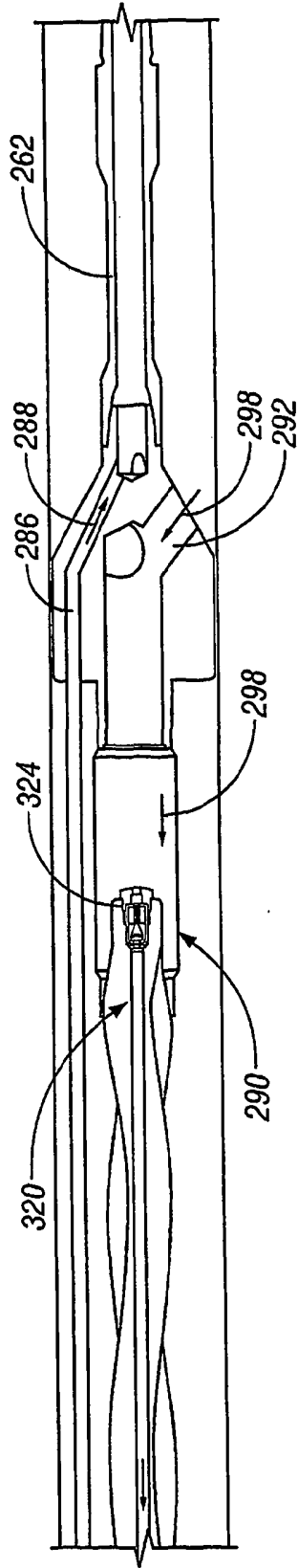


FIG. 4D

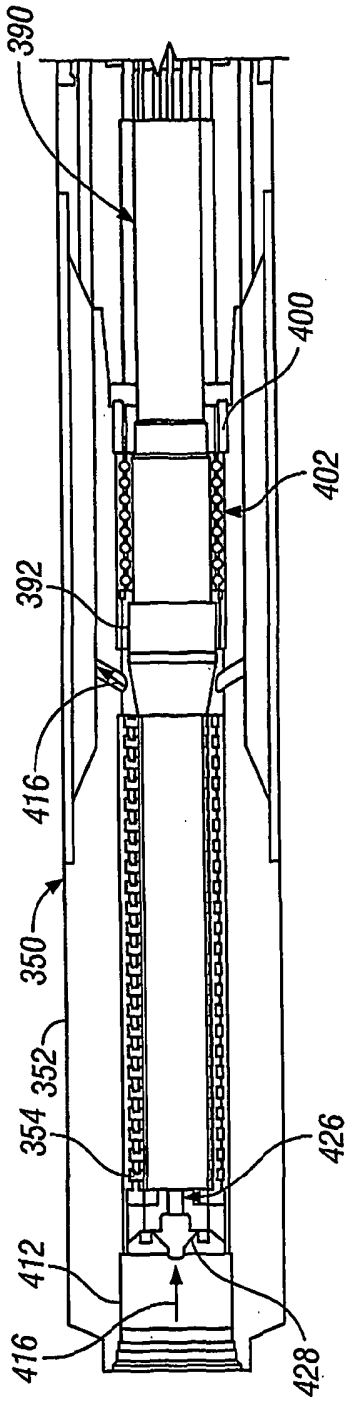


FIG. 5A

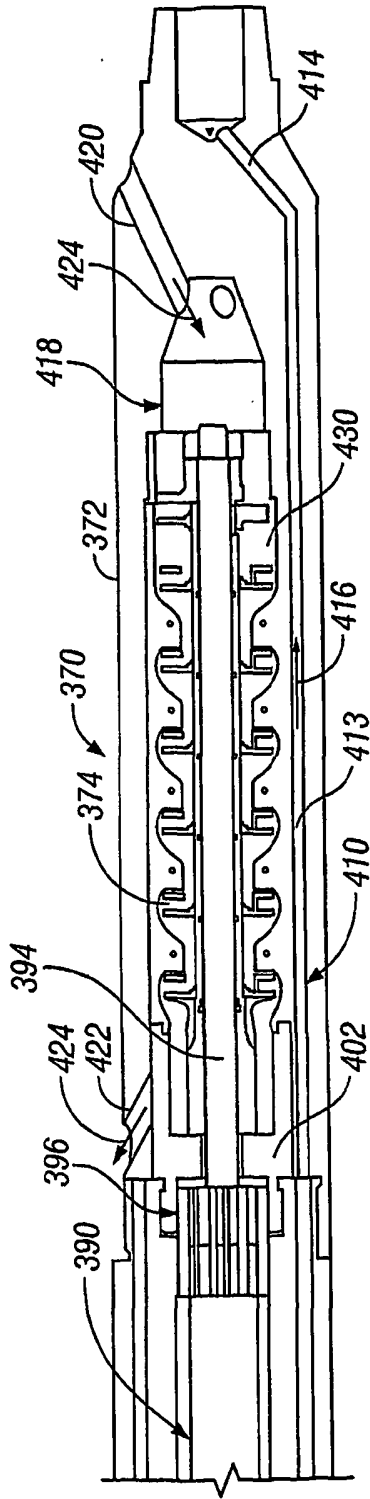


FIG. 5B

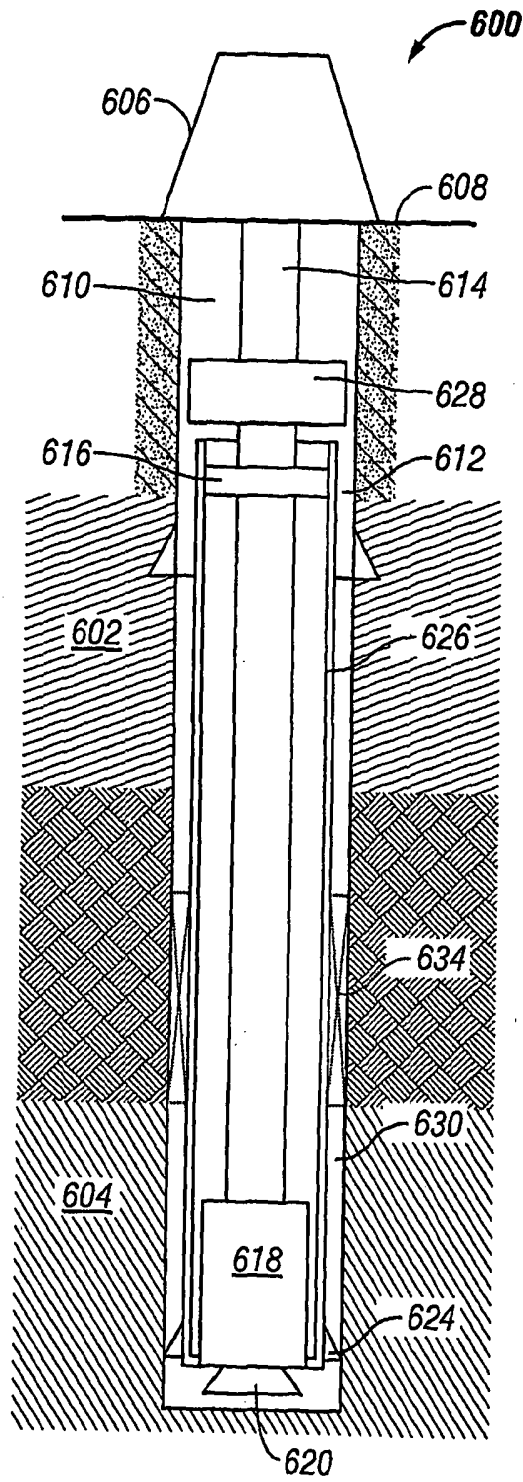


FIG. 6

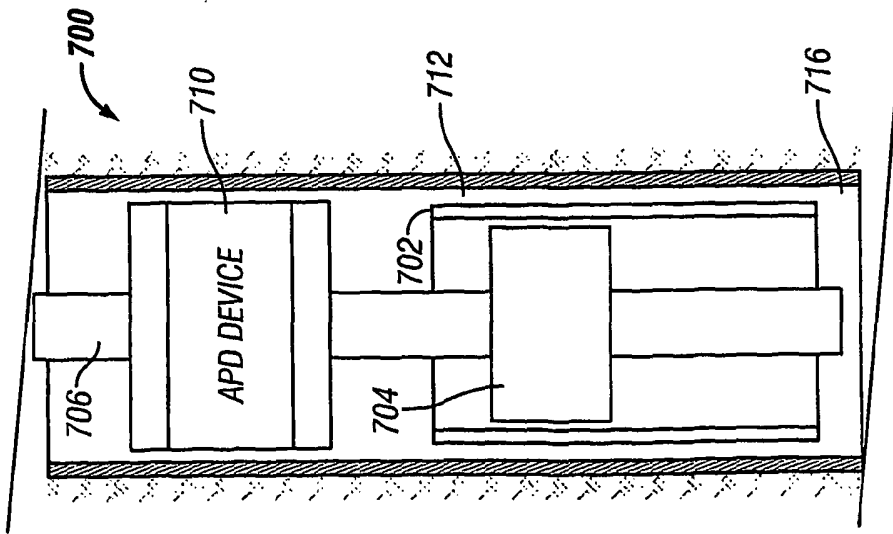


FIG. 7

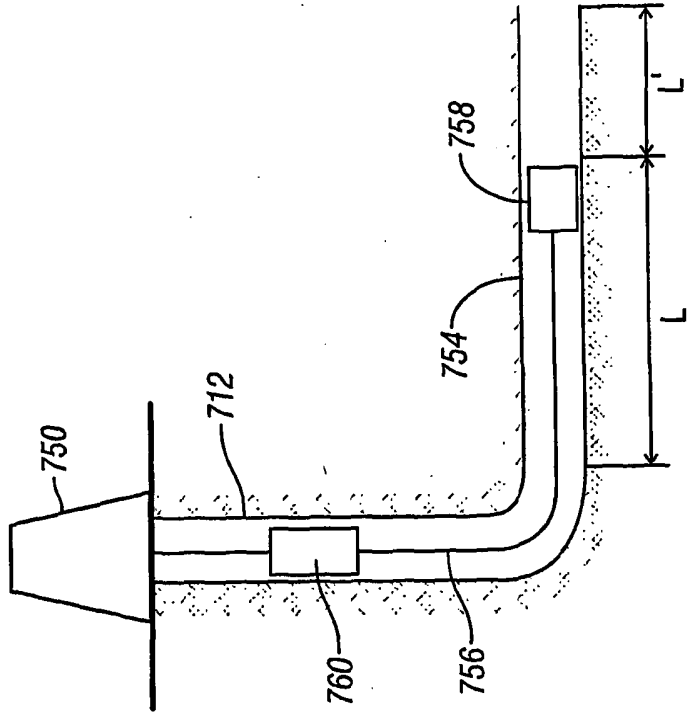


FIG. 8

5 **TITLE: ACTIVE BOTTOMHOLE PRESSURE CONTROL**
WITH
LINER DRILLING AND COMPELTION SYSTEMS

10

15 **BACKGROUND OF THE INVENTION**

Field of the Invention

 This invention relates generally to oilfield wellbore drilling systems and more particularly to systems that utilize active control of bottomhole pressure or equivalent circulating density during drilling of the wellbores.

20 **Background of the Art**

 Oilfield wellbores are drilled by rotating a drill bit conveyed into the wellbore by a drill string. The drill string includes a drill pipe (tubing) that has at its bottom end a drilling assembly (also referred to as the "bottomhole assembly" or "BHA") that carries the drill bit for drilling the wellbore. The
25 drill pipe is made of jointed pipes. Alternatively, coiled tubing may be utilized to carry the drilling of assembly. The drilling assembly usually includes a drilling motor or a "mud motor" that rotates the drill bit. The drilling assembly also includes a variety of sensors for taking measurements of a variety of drilling, formation and BHA parameters. A suitable drilling fluid
30 (commonly referred to as the "mud") is supplied or pumped under pressure from a source at the surface down the tubing. The drilling fluid drives the

5 mud motor and then discharges at the bottom of the drill bit. The drilling fluid returns uphole via the annulus between the drill string and the wellbore inside and carries with it pieces of formation (commonly referred to as the "cuttings") cut or produced by the drill bit in drilling the wellbore.

10 For drilling wellbores under water (referred to in the industry as "offshore" or "subsea" drilling) tubing is provided at a work station (located on a vessel or platform). One or more tubing injectors or rigs are used to move the tubing into and out of the wellbore. In riser-type drilling, a riser, which is formed by joining sections of casing or pipe, is deployed between the drilling
15 vessel and the wellhead equipment at the sea bottom and is utilized to guide the tubing to the wellhead. The riser also serves as a conduit for fluid returning from the wellhead to the sea surface.

During drilling, the drilling operator attempts to carefully control the
20 fluid density at the surface so as to control pressure in the wellbore, including the bottomhole pressure. Typically, the operator maintains the hydrostatic pressure of the drilling fluid in the wellbore above the formation or pore pressure to avoid well blow-out. The density of the drilling fluid and the fluid flow rate largely determine the effectiveness of the drilling fluid to carry the
25 cuttings to the surface. One important downhole parameter controlled during drilling is the bottomhole pressure, which in turn controls the equivalent circulating density ("ECD") of the fluid at the wellbore bottom.

5 This term, ECD, describes the condition that exists when the drilling mud in the well is circulated. The friction pressure caused by the fluid circulating through the open hole and the casing(s) on its way back to the surface, causes an increase in the pressure profile along this path that is different from the pressure profile when the well is in a static condition (i.e.,
10 not circulating). This pressure increase is also referred to as a dynamic pressure loss. In addition to the increase in pressure while circulating, there is an additional increase in pressure while drilling due to the introduction of drill solids into the fluid. This negative effect of the increase in pressure along the annulus of the well is an increase of the pressure which can fracture the
15 formation at the shoe of the last casing. This can reduce the amount of hole that can be drilled before having to set an additional casing. In addition, the rate of circulation that can be achieved is also limited. Also, due to this circulating pressure increase, the ability to clean the hole is severely restricted. This condition is exacerbated when drilling an offshore well. In offshore wells,
20 the difference between the fracture pressures in the shallow sections of the well and the pore pressures of the deeper sections is considerably smaller compared to on shore wellbores. This is due to the seawater gradient versus the gradient that would exist if there were soil overburden for the same depth.

25 In some drilling applications, it is desired to drill the wellbore at at-balance condition or at under-balanced condition. The term at-balance means that the pressure in the wellbore is maintained at or near the formation pressure. The under-balanced condition means that the wellbore pressure is

5 below the formation pressure. These two conditions are desirable because the
drilling fluid under such conditions does not penetrate into the formation,
thereby leaving the formation virgin for performing formation evaluation tests
and measurements. In order to be able to drill a well to a total wellbore depth
at the bottomhole, ECD must be reduced or controlled. In subsea wells, one
10 approach is to use a mud- filled riser to form a subsea fluid circulation system
utilizing the tubing, BHA, the annulus between the tubing and the wellbore
and the mud filled riser, and then inject gas (or some other low density liquid)
in the primary drilling fluid (typically in the annulus adjacent the BHA) to
reduce the density of fluid downstream (i.e., in the remainder of the fluid
15 circulation system). This so-called "dual density" approach is often referred to
as drilling with compressible fluids.

Another method for changing the density gradient in a deepwater
return fluid path has been proposed, but not used in practical application.
20 This approach proposes to use a tank, such as an elastic bag, at the sea floor
for receiving return fluid from the wellbore annulus and holding it at the
hydrostatic pressure of the water at the sea floor. Independent of the flow in
the annulus, a separate return line connected to the sea floor storage tank and
a subsea lifting pump delivers the return fluid to the surface. Although this
25 technique (which is referred to as "dual gradient" drilling) would use a single
fluid, it would also require a discontinuity in the hydraulic gradient line
between the sea floor storage tank and the subsea lifting pump. This requires
close monitoring and control of the pressure at the subsea storage tank,

5 subsea hydrostatic water pressure, subsea lifting pump operation and the
surface pump delivering drilling fluids under pressure into the tubing for flow
downhole. The level of complexity of the required subsea instrumentation
and controls as well as the difficulty of deployment of the system has delayed
(if not altogether prevented) the practical application of the "dual gradient"
10 system.

Another approach is described in U.S. Patent Application No.
09/353,275, filed on July 14, 1999 and assigned to the assignee of the present
application. The U.S. Patent Application No. 09/353,275 is incorporated
15 herein by reference in its entirety. One embodiment of this application
describes a riser less system wherein a centrifugal pump in a separate return
line controls the fluid flow to the surface and thus the equivalent circulating
density.

20 The present invention provides a wellbore system wherein the
bottomhole pressure and hence the equivalent circulating density is controlled
by creating a pressure differential at a selected location in the return fluid path
with an active pressure differential device to reduce or control the bottomhole
pressure. The present system is relatively easy to incorporate in new and
25 existing systems.

SUMMARY OF THE INVENTION

The present invention provides wellbore systems for performing downhole wellbore operations for both land and offshore wellbores. Such drilling systems include a rig that moves an umbilical (e.g., drill string) into and out of the wellbore. The umbilical can include wires for transmitting power such as electrical downhole. A bottomhole assembly, carrying the drill bit, is attached to the bottom end of the drill string. A well control assembly or equipment on the well receives the bottomhole assembly and the tubing. A drilling fluid system supplies a drilling fluid into the tubing, which discharges at the drill bit and returns to the well control equipment carrying the drill cuttings via the annulus between the drill string and the wellbore. A riser dispersed between the wellhead equipment and the surface guides the drill string and provides a conduit for moving the returning fluid to the surface.

In one embodiment of the present invention, an active pressure differential device moves in the wellbore as the drill string is moved. In an alternative embodiment, the active differential pressure device is attached to the wellbore inside or wall and remains stationary relative to the wellbore during drilling. The device is operated during drilling, *i.e.*, when the drilling fluid is circulating through the wellbore, to create a pressure differential across the device. This pressure differential alters the pressure on the wellbore below or downhole of the device. The device may be controlled to reduce the bottomhole pressure by a certain amount, to maintain the bottomhole pressure at a certain value, or within a certain range. By severing

5 or restricting the flow through the device, the bottomhole pressure may be increased.

The system also includes downhole devices for performing a variety of functions. Exemplary downhole devices include devices that control the
10 drilling flow rate and flow paths.

In one embodiment, sensors communicate with a controller via a communication link to maintain the wellbore pressure at a zone of interest at a selected pressure or range of pressures. The communication link can
15 include conductors, wires, cables in or adjacent the drill string that are adapted to convey data signals and/or electrical power. The sensors are strategically positioned throughout the system to provide information or data relating to one or more selected parameters of interest such as drilling parameters, drilling assembly or BHA parameters, and formation or
20 formation evaluation parameters. The controller for suitable for drilling operations preferably includes programs for maintaining the wellbore pressure at zone at under-balance condition, at at-balance condition or at over-balanced condition. The controller may be programmed to activate downhole devices according to programmed instructions or upon the
25 occurrence of a particular condition.

Exemplary configurations for the APD Device and associated drive includes a moineau-type pump coupled to positive displacement motor/drive

5 via a shaft assembly. Another exemplary configuration includes a turbine
drive coupled to a centrifugal-type pump via a shaft assembly. Preferably, a
high-pressure seal separates a supply fluid flowing through the motor from a
return fluid flowing through the pump. In a preferred embodiment, the seal is
configured to bear either or both of radial and axial (thrust) forces.

10

In still other configurations, a positive displacement motor can drive an
intermediate device such as a hydraulic motor, which drives the APD Device.
Alternatively, a jet pump can be used, which can eliminate the need for a
drive/motor. Moreover, pumps incorporating one or more pistons, such as
15 hammer pumps, may also be suitable for certain applications. In still other
configurations, the APD Device can be driven by an electric motor. The
electric motor can be positioned external to a drill string or formed integral
with a drill string. In a preferred arrangement, varying the speed of the
electrical motor directly controls the speed of the rotor in the APD device, and
20 thus the pressure differential across the APD Device.

Bypass devices are provided to allow fluid circulation in the wellbore
during tripping of the system, to control the operating set points of the APD
Device and/or associated drive/motor, and to provide a discharge mechanism
25 to relieve fluid pressure.

In another aspect, the present invention provides enhanced wellbore
pressure management for drilling systems utilizing liner drilling techniques.

5 Liner drilling systems typically include a drill string that has a liner section. As with other drilling systems, it can be advantageous to control wellbore pressure when drilling a wellbore using a liner drilling system. For instance, liner drilling systems can be used to drilling wellbores through two or more formations having different values for formation parameters other than pore
10 or fracture pressure. In such situations, the drilling fluid weight is selected to provide a hydrostatic pressure that is at or greater than the pore pressure of an adjacent high-pressure formation. This hydrostatic pressure, however, may exceed the fracture pressure of the depleted formation. Thus, the wellbore drilled in the depleted formation can deteriorate and eventually
15 collapse onto the drill string. As noted above, circulation of the drilling fluid creates dynamic pressure losses that further increase the pressure applied to the depleted formation, which can exacerbate deterioration and expedite wellbore collapse. Accordingly, an APD Device can be positioned in the wellbore to control pressure of the fluid in the annulus between the liner and
20 the wellbore wall. For example, the APD Device can be positioned in a cased portion of the wellbore and configured to reduce a dynamic pressure loss associated with the circulating drilling fluid. The APD Device can reduce or eliminate the dynamic pressure loss and delay wellbore collapse. Thus, the rate of wellbore deterioration is reduced and the drill string can drill further
25 into the wellbore before collapse.

In other embodiments, the APD Device can be used outside of the drilling context to provide wellbore pressure management during activities

5 such as completion and workover. For instance, in one application, the APD Device can be used to control pressure in a wellbore when deploying wellbore tools and equipment. Exemplary deployments include running, installing, and/or operating wellbore equipment in the wellbore. Exemplary wellbore tools and equipment includes liners, packers, screens, liner hangers, anchors, completion equipment, fishing tools, perforating tools, whipstocks, and other tools and devices adapted to perform a selected task in a wellbore. In an exemplary application, fluid may be circulated in the wellbore while running the wellbore equipment in the wellbore. The APD Device can be set to reduce a dynamic pressure loss associated with the circulating fluid. For instance, while running liner, the APD Device can be positioned adjacent a liner hanger coupled to the liner. The pressure control provided by the APD Device can be configured to maintain wellbore pressure below a fracture pressure of a formation while running the liner. Moreover, in some embodiments, the APD Device can be configured to reduce a surge effect associated with the running of the selected wellbore equipment.

Furthermore, in addition to drilling fluids, the APD Device can be used to control pressure in a wellbore when circulating other fluids such as slurries used to gravel pack a formation, completion fluids, cement, acids, and workover fluids (“non-drilling fluids”). In certain applications, the total pressure applied by circulation of the non-drilling fluids can exceed the fracture pressure of a given formation. Advantageously, the APD Device can

5 reduce the dynamic pressure loss component of this pressure and thereby assist in maintaining the total pressure below the formation fracture pressure.

Examples of the more important features of the invention have been summarized (albeit rather broadly) in order that the detailed description
10 thereof that follows may be better understood and in order that the contributions they represent to the art may be appreciated. There are, of course, additional features of the invention that will be described hereinafter and which will form the subject of the claims appended hereto.

5

BRIEF DESCRIPTION OF THE DRAWINGS

For detailed understanding of the present invention, reference should be made to the following detailed description of the preferred embodiment, taken in conjunction with the accompanying drawing:

Figure 1A is a schematic illustration of one embodiment of a system using an active pressure differential device to manage pressure in a predetermined wellbore location;

Figure 1B graphically illustrates the effect of an operating active pressure differential device upon the pressure at a predetermined wellbore location;

Figure 2 is a schematic elevation view of **Figure 1A** after the drill string and the active pressure differential device have moved a certain distance in the earth formation from the location shown in **Figure 1A**;

Figure 3 is a schematic elevation view of an alternative embodiment of the wellbore system wherein the active pressure differential device is attached to the wellbore inside;

Figures 4A-D are schematic illustrations of one embodiment of an arrangement according to the present invention wherein a positive displacement motor is coupled to a positive displacement pump (the APD Device);

Figures 5A and 5B are schematic illustrations of one embodiment of an arrangement according to the present invention wherein a turbine drive is coupled to a centrifugal pump (the APD Device);

5 **Figure 6** schematically illustrates a liner drilling system utilizing an APD Device made in accordance with one embodiment of the present invention;

Figure 7 schematic illustrates a wellbore equipment running device utilizing an APD Device made in accordance with embodiments of the present
10 invention; and

Figure 8 schematic illustrates an APD Device utilized to control wellbore pressure in a non-drilling context in accordance with embodiments of the present invention.

15

5 **DETAILED DESCRIPTION OF PREFERRED EMBODIMENTS**

Referring initially to **Figure 1A**, there is schematically illustrated a system for performing one or more operations related to the construction, logging, completion or work-over of a hydrocarbon producing well. In particular, **Figure 1A** shows a schematic elevation view of one embodiment of a wellbore drilling system **100** for drilling wellbore **90** using conventional drilling fluid circulation. The drilling system **100** is a rig for land wells and includes a drilling platform **101**, which may be a drill ship or another suitable surface workstation such as a floating platform or a semi-submersible for offshore wells. For offshore operations, additional known equipment such as a riser and subsea wellhead will typically be used. To drill a wellbore **90**, well control equipment **125** (also referred to as the wellhead equipment) is placed above the wellbore **90**. The wellhead equipment **125** includes a blow-out-preventer stack **126** and a lubricator (not shown) with its associated flow control.

20

This system **100** further includes a well tool such as a drilling assembly or a bottomhole assembly ("BHA") **135** at the bottom of a suitable umbilical such as drill string or tubing **121** (such terms will be used interchangeably). In a preferred embodiment, the BHA **135** includes a drill bit **130** adapted to disintegrate rock and earth. The bit can be rotated by a surface rotary drive or a motor using pressurized fluid (e.g., mud motor) or an electrically driven motor. The tubing **121** can be formed partially or fully of drill pipe, metal or composite coiled tubing, liner, casing or other known members. Additionally,

5 the tubing **121** can include data and power transmission carriers such fluid
conduits, fiber optics, and metal conductors. Conventionally, the tubing **121** is
placed at the drilling platform **101**. To drill the wellbore **90**, the BHA **135** is
conveyed from the drilling platform **101** to the wellhead equipment **125** and
then inserted into the wellbore **90**. The tubing **121** is moved into and out of
10 the wellbore **90** by a suitable tubing injection system.

During drilling, a drilling fluid from a surface mud system **22** is
pumped under pressure down the tubing **121** (a "supply fluid"). The mud
system **22** includes a mud pit or supply source **26** and one or more pumps **28**.
15 In one embodiment, the supply fluid operates a mud motor in the BHA **135**,
which in turn rotates the drill bit **130**. The drill string **121** rotation can also be
used to rotate the drill bit **130**, either in conjunction with or separately from
the mud motor. The drill bit **130** disintegrates the formation (rock) into
cuttings **147**. The drilling fluid leaving the drill bit travels uphole through the
20 annulus **194** between the drill string **121** and the wellbore wall or inside **196**,
carrying the drill cuttings **147** therewith (a "return fluid"). The return fluid
discharges into a separator (not shown) that separates the cuttings **147** and
other solids from the return fluid and discharges the clean fluid back into the
mud pit **26**. As shown in **Figure 1A**, the clean mud is pumped through the
25 tubing **121** while the mud with cuttings **147** returns to the surface via the
annulus **194** up to the wellhead equipment **125**.

5 Once the well **90** has been drilled to a certain depth, casing **129** with a casing shoe **151** at the bottom is installed. The drilling is then continued to drill the well to a desired depth that will include one or more production sections, such as section **155**. The section below the casing shoe **151** may not be cased until it is desired to complete the well, which leaves the bottom
10 section of the well as an open hole, as shown by numeral **156**.

 As noted above, the present invention provides a drilling system for controlling bottomhole pressure at a zone of interest designated by the numeral **155** and thereby the ECD effect on the wellbore. In one embodiment
15 of the present invention, to manage or control the pressure at the zone **155**, an active pressure differential device ("APD Device") **170** is fluidically coupled to return fluid downstream of the zone of interest **155**. The active pressure differential device is a device that is capable of creating a pressure differential " ΔP " across the device. This controlled pressure drop reduces the pressure
20 upstream of the APD Device **170** and particularly in zone **155**.

 The system **100** also includes downhole devices that separately or cooperatively perform one or more functions such as controlling the flow rate of the drilling fluid and controlling the flow paths of the drilling fluid. For
25 example, the system **100** can include one or more flow-control devices that can stop the flow of the fluid in the drill string and/or the annulus **194**. **Figure 1A** shows an exemplary flow-control device **173** that includes a device **174** that can block the fluid flow within the drill string **121** and a device **175**

5 that blocks can block fluid flow through the annulus **194**. The device **173** can
be activated when a particular condition occurs to insulate the well above and
below the flow-control device **173**. For example, the flow-control device **173**
may be activated to block fluid flow communication when drilling fluid
circulation is stopped so as to isolate the sections above and below the device
10 **173**, thereby maintaining the wellbore below the device **173** at or substantially
at the pressure condition prior to the stopping of the fluid circulation.

The flow-control devices **174**, **175** can also be configured to selectively
control the flow path of the drilling fluid. For example, the flow-control device
15 **174** in the drill pipe **121** can be configured to direct some or all of the fluid in
drill string **121** into the annulus **194**. Moreover, one or both of the flow-
control devices **174**, **175** can be configured to bypass some or all of the return
fluid around the APD device **170**. Such an arrangement may be useful, for
instance, to assist in lifting cuttings to the surface. The flow-control device
20 **173** may include check-valves, packers and any other suitable device. Such
devices may automatically activate upon the occurrence of a particular event
or condition.

The system **100** also includes downhole devices for processing the
25 cuttings (*e.g.*, reduction of cutting size) and other debris flowing in the
annulus **194**. For example, a comminution device **176** can be disposed in the
annulus **194** upstream of the APD device **170** to reduce the size of entrained
cutting and other debris. The comminution device **176** can use known

5 members such as blades, teeth, or rollers to crush, pulverize or otherwise disintegrate cuttings and debris entrained in the fluid flowing in the annulus 194. The comminution device 176 can be operated by an electric motor, a hydraulic motor, by rotation of drill string or other suitable means. The comminution device 176 can also be integrated into the APD device 170. For 10 instance, if a multi-stage turbine is used as the APD device 170, then the stages adjacent the inlet to the turbine can be replaced with blades adapted to cut or shear particles before they pass through the blades of the remaining turbine stages.

15 Sensors S_{1-n} are strategically positioned throughout the system 100 to provide information or data relating to one or more selected parameters of interest (pressure, flow rate, temperature). In a preferred embodiment, the downhole devices and sensors S_{1-n} communicate with a controller 180 via a telemetry system (not shown). Using data provided by the sensors S_{1-n} , the 20 controller 180 maintains the wellbore pressure at zone 155 at a selected pressure or range of pressures. The controller 180 maintains the selected pressure by controlling the APD device 170 (e.g., adjusting amount of energy added to the return fluid line) and/or the downhole devices (e.g., adjusting flow rate through a restriction such as a valve).

25

When configured for drilling operations, the sensors S_{1-n} provide measurements relating to a variety of drilling parameters, such as fluid pressure, fluid flow rate, rotational speed of pumps and like devices,

5 temperature, weight-on bit, rate of penetration, etc., drilling assembly or BHA
parameters, such as vibration, stick slip, RPM, inclination, direction, BHA
location, etc. and formation or formation evaluation parameters commonly
referred to as measurement-while-drilling parameters such as resistivity,
acoustic, nuclear, NMR, etc. One preferred type of sensor is a pressure sensor
10 for measuring pressure at one or more locations. Referring still to **Fig. 1A**,
pressure sensor **P₁** provides pressure data in the BHA, sensor **P₂** provides
pressure data in the annulus, pressure sensor **P₃** in the supply fluid, and
pressure sensor **P₄** provides pressure data at the surface. Other pressure
sensors may be used to provide pressure data at any other desired place in the
15 system **100**. Additionally, the system **100** includes fluid flow sensors such as
sensor **V** that provides measurement of fluid flow at one or more places in the
system.

Further, the status and condition of equipment as well as parameters
20 relating to ambient conditions (e.g., pressure and other parameters listed
above) in the system **100** can be monitored by sensors positioned throughout
the system **100**: exemplary locations including at the surface (**S1**), at the APD
device **170** (**S2**), at the wellhead equipment **125** (**S3**), in the supply fluid (**S4**),
along the tubing **121** (**S5**), at the well tool **135** (**S6**), in the return fluid
25 upstream of the APD device **170** (**S7**), and in the return fluid downstream of
the APD device **170** (**S8**). It should be understood that other locations may
also be used for the sensors **S_{1-n}**.

5 The controller **180** for suitable for drilling operations preferably includes programs for maintaining the wellbore pressure at zone **155** at under-balance condition, at at-balance condition or at over-balanced condition. The controller **180** includes one or more processors that process signals from the various sensors in the drilling assembly and also controls
10 their operation. The data provided by these sensors S_{1-n} and control signals transmitted by the controller **180** to control downhole devices such as devices **173-176** are communicated by a suitable two-way telemetry system (not shown). A separate processor may be used for each sensor or device. Each sensor may also have additional circuitry for its unique operations. The
15 controller **180**, which may be either downhole or at the surface, is used herein in the generic sense for simplicity and ease of understanding and not as a limitation because the use and operation of such controllers is known in the art. The controller **180** preferably contains one or more microprocessors or micro-controllers for processing signals and data and for performing control
20 functions, solid state memory units for storing programmed instructions, models (which may be interactive models) and data, and other necessary control circuits. The microprocessors control the operations of the various sensors, provide communication among the downhole sensors and provide two-way data and signal communication between the drilling assembly **30**,
25 downhole devices such as devices **173-175** and the surface equipment via the two-way telemetry. In other embodiments, the controller **180** can be a hydro-mechanical device that incorporates known mechanisms (valves, biased

5 members, linkages cooperating to actuate tools under, for example, preset conditions).

For convenience, a single controller **180** is shown. It should be understood, however, that a plurality of controllers **180** can also be used. For
10 example, a downhole controller can be used to collect, process and transmit data to a surface controller, which further processes the data and transmits appropriate control signals downhole. Other variations for dividing data processing tasks and generating control signals can also be used.

15 In general, however, during operation, the controller **180** receives the information regarding a parameter of interest and adjusts one or more downhole devices and/or APD device **170** to provide the desired pressure or range or pressure in the vicinity of the zone of interest **155**. For example, the controller **180** can receive pressure information from one or more of the
20 sensors (S_1-S_n) in the system **100**. The controller **180** may control the APD Device **170** in response to one or more of: pressure, fluid flow, a formation characteristic, a wellbore characteristic and a fluid characteristic, a surface measured parameter or a parameter measured in the drill string. The controller **180** determines the ECD and adjusts the energy input to the APD
25 device **170** to maintain the ECD at a desired or predetermined value or within a desired or predetermined range. The wellbore system **100** thus provides a closed loop system for controlling the ECD in response to one or more parameters of interest during drilling of a wellbore. This system is relatively

5 simple and efficient and can be incorporated into new or existing drilling systems and readily adapted to support other well construction, completion, and work-over activities.

In the embodiment shown in **Figure 1A**, the APD Device **170** is shown
10 as a turbine attached to the drill string **121** that operates within the annulus **194**. Other embodiments, described in further detail below can include centrifugal pumps, positive displacement pump, jet pumps and other like devices. During drilling, the APD Device **170** moves in the wellbore **90** along with the drill string **121**. The return fluid can flow through the APD Device
15 **170** whether or not the turbine is operating. However, the APD Device **170**, when operated creates a differential pressure thereacross.

As described above, the system **100** in one embodiment includes a controller **180** that includes a memory and peripherals **184** for controlling the
20 operation of the APD Device **170**, the devices **173-176**, and/or the bottomhole assembly **135**. In **Figure 1A**, the controller **180** is shown placed at the surface. It, however, may be located adjacent the APD Device **170**, in the BHA **135** or at any other suitable location. The controller **180** controls the APD Device to create a desired amount of ΔP across the device, which alters the
25 bottomhole pressure accordingly. Alternatively, the controller **180** may be programmed to activate the flow-control device **173** (or other downhole devices) according to programmed instructions or upon the occurrence of a particular condition. Thus, the controller **180** can control the APD Device in

5 response to sensor data regarding a parameter of interest, according to
programmed instructions provided to said APD Device, or in response to
instructions provided to said APD Device from a remote location. The
controller **180** can, thus, operate autonomously or interactively.

10 During drilling, the controller **180** controls the operation of the APD
Device to create a certain pressure differential across the device so as to alter
the pressure on the formation or the bottomhole pressure. The controller **180**
may be programmed to maintain the wellbore pressure at a value or range of
values that provide an under-balance condition, an at-balance condition or an
15 over-balanced condition. In one embodiment, the differential pressure may
be altered by altering the speed of the APD Device. For instance, the
bottomhole pressure may be maintained at a preselected value or within a
selected range relative to a parameter of interest such as the formation
pressure. The controller **180** may receive signals from one or more sensors in
20 the system **100** and in response thereto control the operation of the APD
Device to create the desired pressure differential. The controller **180** may
contain pre-programmed instructions and autonomously control the APD
Device or respond to signals received from another device that may be
remotely located from the APD Device.

25

Figure 1B graphically illustrates the ECD control provided by the
above-described embodiment of the present invention and references **Figure**
1A for convenience. **Figure 1A** shows the APD device **170** at a depth **D1** and

5 a representative location in the wellbore in the vicinity of the well tool **30** at a lower depth **D2**. **Figure 1B** provides a depth versus pressure graph having a first curve **C1** representative of a pressure gradient before operation of the system **100** and a second curve **C2** representative of a pressure gradients during operation of the system **100**. Curve **C3** represents a theoretical curve
10 wherein the ECD condition is not present; *i.e.*, when the well is static and not circulating and is free of drill cuttings. It will be seen that a target or selected pressure at depth **D2** under curve **C3** cannot be met with curve **C1**. Advantageously, the system **100** reduces the hydrostatic pressure at depth **D1** and thus shifts the pressure gradient as shown by curve **C3**, which can provide
15 the desired predetermined pressure at depth **D2**. In most instances, this shift is roughly the pressure drop provided by the APD device **170**.

Figure 2 shows the drill string after it has moved the distance "d" shown by $t_1 - t_2$. Since the APD Device **170** is attached to the drill string **121**,
20 the APD Device **170** also is shown moved by the distance d.

As noted earlier and shown in **Figure 2**, an APD Device **170a** may be attached to the wellbore in a manner that will allow the drill string **121** to move while the APD Device **170a** remains at a fixed location. **Figure 3** shows
25 an embodiment wherein the APD Device is attached to the wellbore inside and is operated by a suitable device **172a**. Thus, the APD device can be attached to a location stationary relative to said drill string such as a casing, a liner, the wellbore annulus, a riser, or other suitable wellbore equipment. The APD

5 Device **170a** is preferably installed so that it is in a cased upper section **129**.
The device **170a** is controlled in the manner described with respect to the
device **170** (Fig **1A**).

Referring now to **Figures 4A-D**, there is schematically illustrated one
10 arrangement wherein a positive displacement motor/drive **200** is coupled to
a moineau-type pump **220** via a shaft assembly **240**. The motor **200** is
connected to an upper string section **260** through which drilling fluid is
pumped from a surface location. The pump **220** is connected to a lower drill
string section **262** on which the bottomhole assembly (not shown) is attached
15 at an end thereof. The motor **200** includes a rotor **202** and a stator **204**.
Similarly, the pump **220** includes a rotor **222** and a stator **224**. The design of
moineau-type pumps and motors are known to one skilled in the art and will
not be discussed in further detail.

20 The shaft assembly **240** transmits the power generated by the motor
200 to the pump **220**. One preferred shaft assembly **240** includes a motor
flex shaft **242** connected to the motor rotor **202**, a pump flex shaft **244**
connected to the pump rotor **224**, and a coupling shaft **246** for joining the
first and second shafts **242** and **244**. In one arrangement, a high-pressure
25 seal **248** is disposed about the coupling shaft **246**. As is known, the rotors for
moineau-type motors/pump are subject to eccentric motion during rotation.
Accordingly, the coupling shaft **246** is preferably articulated or formed
sufficiently flexible to absorb this eccentric motion. Alternately or in

5 combination, the shafts **242**, **244** can be configured to flex to accommodate eccentric motion. Radial and axial forces can be borne by bearings **250** positioned along the shaft assembly **240**. In a preferred embodiment, the seal **248** is configured to bear either or both of radial and axial (thrust) forces. In certain arrangements, a speed or torque converter **252** can be used to
10 convert speed/torque of the motor **200** to a second speed/torque for the pump **220**. By speed/torque converter it is meant known devices such as variable or fixed ratio mechanical gearboxes, hydrostatic torque converters, and a hydrodynamic converters. It should be understood that any number of arrangements and devices can be used to transfer power, speed, or torque
15 from the motor **200** to the pump **220**. For example, the shaft assembly **240** can utilize a single shaft instead of multiple shafts.

As described earlier, a comminution device can be used to process entrained cutting in the return fluid before it enters the pump **200**. Such a comminution device (**Figure 1A**) can be coupled to the drive **200** or pump
20 **220** and operated thereby. For instance, one such comminution device or cutting mill **270** can include a shaft **272** coupled to the pump rotor **224**. The shaft **272** can include a conical head or hammer element **274** mounted thereon. During rotation, the eccentric motion of the pump rotor **224** will cause a corresponding radial motion of the shaft head **274**. This radial
25 motion can be used to resize the cuttings between the rotor and a comminution device housing **276**.

5 The **Figures 4A-D** arrangement also includes a supply flow path **290**
to carry supply fluid from the device **200** to the lower drill string section **262**
and a return flow path **292** to channel return fluid from the casing interior or
annulus into and out of the pump **220**. The high pressure seal **248** is
interposed between the flow paths **290** and **292** to prevent fluid leaks,
10 particularly from the high pressure fluid in the supply flow path **290** into the
return flow path **292**. The seal **248** can be a high-pressure seal, a
hydrodynamic seal or other suitable seal and formed of rubber, an elastomer,
metal or composite.

15 Additionally, bypass devices are provided to allow fluid circulation
during tripping of the downhole devices of the system **100** (**Fig. 1A**), to
control the operating set points of the motor **200** and pump **220**, and to
provide safety pressure relief along either or both of the supply flow path **290**
and the return flow path **292**. Exemplary bypass devices include a circulation
20 bypass **300**, motor bypass **310**, and a pump bypass **320**.

The circulation bypass **300** selectively diverts supply fluid into the
annulus **194** (**Fig. 1A**) or casing **C** interior. The circulation bypass **300** is
interposed generally between the upper drill string section **260** and the motor
25 **200**. One preferred circulation bypass **300** includes a biased valve member
302 that opens when the flow-rate drops below a predetermined valve. When
the valve **302** is open, the supply fluid flows along a channel **304** and exits at
ports **306**. More generally, the circulation bypass can be configured to

5 actuate upon receiving an actuating signal and/or detecting a predetermined value or range of values relating to a parameter of interest (e.g., flow rate or pressure of supply fluid or operating parameter of the bottomhole assembly). The circulation bypass **300** can be used to facilitate drilling operations and to selective increase the pressure/flow rate of the return fluid.

10

The motor bypass **310** selectively channels conveys fluid around the motor **200**. The motor bypass **310** includes a valve **312** and a passage **314** formed through the motor rotor **202**. A joint **316** connecting the motor rotor **202** to the first shaft **242** includes suitable passages (not shown) that allow
15 the supply fluid to exit the rotor passage **314** and enter the supply flow path **290**. Likewise, a pump bypass **320** selectively conveys fluid around the pump **220**. The pump bypass includes a valve and a passage formed through the pump rotor **222** or housing. The pump bypass **320** can also be configured to function as a particle bypass line for the APD device. For example, the
20 pump bypass can be adapted with known elements such as screens or filters to selectively convey cuttings or particles entrained in the return fluid that are greater than a predetermined size around the APD device. Alternatively, a separate particle bypass can be used in addition to the pump bypass for such a function. Alternately, a valve (not shown) in a pump housing **225** can divert
25 fluid to a conduit parallel to the pump **220**. Such a valve can be configured to open when the flow rate drops below a predetermined value. Further, the bypass device can be a design internal leakage in the pump. That is, the operating point of the pump **220** can be controlled by providing a preset or

5 variable amount of fluid leakage in the pump **220**. Additionally, pressure valves can be positioned in the pump **220** to discharge fluid in the event an overpressure condition or other predetermined condition is detected.

10 Additionally, an annular seal **299** in certain embodiments can be disposed around the APD device to direct the return fluid to flow into the pump **220** (or more generally, the APD device) and to allow a pressure differential across the pump **220**. The seal **299** can be a solid or pliant ring member, an expandable packer type element that expands/contracts upon receiving a command signal, or other member that substantially prevents the
15 return fluid from flowing between the pump **220** (or more generally, the APD device) and the casing or wellbore wall. In certain applications, the clearance between the APD device and adjacent wall (either casing or wellbore) may be sufficiently small as to not require an annular seal.

20 During operation, the motor **200** and pump **220** are positioned in a well bore location such as in a casing **C**. Drilling fluid (the supply fluid) flowing through the upper drill string section **260** enters the motor **200** and causes the rotor **202** to rotate. This rotation is transferred to the pump rotor **222** by the shaft assembly **240**. As is known, the respective lobe profiles, size
25 and configuration of the motor **200** and the pump **220** can be varied to provide a selected speed or torque curve at given flow-rates. Upon exiting the motor **200**, the supply fluid flows through the supply flow path **290** to the lower drill string section **262**, and ultimately the bottomhole assembly (not

5 shown). The return fluid flows up through the wellbore annulus (not shown) and casing C and enters the cutting mill 270 via a inlet 293 for the return flow path 292. The flow goes through the cutting mill 270 and enters the pump 220. In this embodiment, the controller 180 (Fig. 1A) can be programmed to control the speed of the motor 200 and thus the operation of
10 the pump 220 (the APD Device in this instance).

It should be understood that the above-described arrangement is merely one exemplary use of positive displacement motors and pumps. For example, while the positive displacement motor and pump are shown in
15 structurally in series in Figures 4A-D, a suitable arrangement can also have a positive displacement motor and pump in parallel. For example, the motor can be concentrically disposed in a pump.

Referring now to Figures 5A-B, there is schematically illustrated one
20 arrangement wherein a turbine drive 350 is coupled to a centrifugal-type pump 370 via a shaft assembly 390. The turbine 350 includes stationary and rotating blades 354 and radial bearings 402. The centrifugal-type pump 370 includes a housing 372 and multiple impeller stages 374. The design of turbines and centrifugal pumps are known to one skilled in the art and will not
25 be discussed in further detail.

The shaft assembly 390 transmits the power generated by the turbine 350 to the centrifugal pump 370. One preferred shaft assembly 350 includes

5 a turbine shaft **392** connected to the turbine blade assembly **354**, a pump shaft **394** connected to the pump impeller stages **374**, and a coupling **396** for joining the turbine and pump shafts **392** and **394**.

The **Figure 5A-B** arrangement also includes a supply flow path **410**
10 for channeling supply fluid shown by arrows designated **416** and a return flow path **418** to channel return fluid shown by arrows designated **424**. The supply flow path **410** includes an inlet **412** directing supply fluid into the turbine **350** and an axial passage **413** that conveys the supply fluid exiting the turbine **350** to an outlet **414**. The return flow path **418** includes an inlet **420**
15 that directs return fluid into the centrifugal pump **370** and an outlet **422** that channels the return fluid into the casing **C** interior or wellbore annulus. A high pressure seal **400** is interposed between the flow paths **410** and **418** to reduce fluid leaks, particularly from the high pressure fluid in the supply flow path **410** into the return flow path **418**. A small leakage rate is desired to cool
20 and lubricate the axial and radial bearings. Additionally, a bypass **426** can be provided to divert supply fluid from the turbine **350**. Moreover, radial and axial forces can be borne by bearing assemblies **402** positioned along the shaft assembly **390**. Preferably a comminution device **373** is provided to reduce particle size entering the centrifugal pump **370**. In a preferred
25 embodiment, one of the impeller stages is modified with shearing blades or elements that shear entrained particles to reduce their size. In certain arrangements, a speed or torque converter **406** can be used to convert a first speed/torque of the motor **350** to a second speed/torque for the centrifugal

5 pump 370. It should be understood that any number of arrangements and devices can be used to transfer power, speed, or torque from the turbine 350 to the pump 370. For example, the shaft assembly 390 can utilize a single shaft instead of multiple shafts.

10 It should be appreciated that a positive displacement pump need not be matched with only a positive displacement motor, or a centrifugal pump with only a turbine. In certain applications, operational speed or space considerations may lend itself to an arrangement wherein a positive displacement drive can effectively energize a centrifugal pump or a turbine
15 drive energize a positive displacement pump. It should also be appreciated that the present invention is not limited to the above-described arrangements. For example, a positive displacement motor can drive an intermediate device such as an electric motor or hydraulic motor provided with an encapsulated clean hydraulic reservoir. In such an arrangement, the hydraulic motor (or
20 produced electric power) drives the pump. These arrangements can eliminate the leak paths between the high-pressure supply fluid and the return fluid and therefore eliminates the need for high-pressure seals. Alternatively, a jet pump can be used. In an exemplary arrangement, the supply fluid is divided into two streams. The first stream is directed to the BHA. The second stream
25 is accelerated by a nozzle and discharged with high velocity into the annulus, thereby effecting a reduction in annular pressure. Pumps incorporating one or more pistons, such as hammer pumps, may also be suitable for certain applications.

5

In other embodiments, an electrical motor can be used to drive and control the APD Device. Varying the speed of the electrical motor will directly control the speed of the rotor in the APD device, and thus the pressure differential across the APD Device.

10

It will be appreciated that many variations to the above-described embodiments are possible. For example, a clutch element can be added to the shaft assembly connecting the drive to the pump to selectively couple and uncouple the drive and pump. Further, in certain applications, it may be advantages to utilize a non-mechanical connection between the drive and the pump. For instance, a magnetic clutch can be used to engage the drive and the pump. In such an arrangement, the supply fluid and drive and the return fluid and pump can remain separated. The speed/torque can be transferred by a magnetic connection that couples the drive and pump elements, which are separated by a tubular element (e.g., drill string). Additionally, while certain elements have been discussed with respect to one or more particular embodiments, it should be understood that the present invention is not limited to any such particular combinations. For example, elements such as shaft assemblies, bypasses, comminution devices and annular seals discussed in the context of positive displacement drives can be readily used with electric drive arrangements. Other embodiments within the scope of the present invention that are not shown include a centrifugal pump that is attached to the drill string. The pump can include a multi-stage impeller and can be driven by

5 a hydraulic power unit, such as a motor. This motor may be operated by the
drilling fluid or by any other suitable manner. Still another embodiment not
shown includes an APD Device that is fixed to the drill string, which is
operated by the drill string rotation. In this embodiment, a number of
impellers are attached to the drill string. The rotation of the drill string
10 rotates the impeller that creates a differential pressure across the device.

Additionally, in certain instances, well operators encounter a situation
where a well plan requires drilling a wellbore across two or more formations
having a different values for one or more geophysical, geological, or
15 petrophysical parameters and the change would negatively affect an aspect of
the drilling process such as efficiency, safety, cost-effectiveness, quality, etc.
Exemplary but not exclusive parameters include pore pressure and fracture
pressure. Thus, for instance, the wellbore could be drilled from a high
pressure formation into a formation with a significantly lower pressure, or
20 *vice versa*. Because a drilling fluid of a specified weight bears on both
formations at the same time, the difference in pore and fracture pressure
between adjacent formations can create difficulties. For example, a relatively
high mud weight may be used to ensure an overbalanced condition in the
high-pressure formation to prevent a kick. The relatively high pressure
25 associated with this drilling fluid may exceed the fracture pressure of the low-
pressure formation. If the overbalance is severe, the drilling fluid flows into or
“invades” the low-pressure formation, which results in the loss of drilling fluid
and reduces pressure in the high-pressure formation. Moreover, a severe

5 overbalance could lead to hole collapse. Conventionally, it is presumed that hole collapse will occur and the wellbore is drilled into the low-pressure formation until the wellbore collapses around the drilling assembly.

Referring now to Fig. 6, there is shown an embodiment of a drilling
10 system 600 adapted to drill a wellbore that intersects two or more formations that have different values for a selected formation parameter. That is, for example, a situation wherein a formation 602 having a high pore pressure, or "high-pressure formation" overlies a depleted formation 604 having a lower pore and fracture pressure, or "low-pressure formation".

15

The drilling system 600 includes a rig 606 at the surface 608 of the earth in which a borehole 610 is drilled. A casing 612 has been set in the upper portion of the borehole 610. A drilling tubular 614 passes through the casing 612 to a liner hanger/packer 616 at the bottom of the cased portion of
20 the hole and carries a drilling liner--bottom hole assembly (DL-BHA) 618 at its lower end. The DL-BHA 618 has, at its bottom end, a pilot bit 620 and an underreamer or core bit 624. A liner 626 hangs from the liner hanger 616 at its top end and is connected to the DL-BHA 618 at its bottom end. The liner is a tubular. The pilot bit 620 drills a small diameter hole and the
25 underreamer 624 enlarges the pilot hole to a size greater than the outer dimensions of the liner 626. The drilling assembly is retrievably attached to the liner bottom and can be retrieved without retrieving the liner 616. The drilling tubular 614 may be a drill pipe or coiled tubing. Exemplary liner

5 drilling systems are discussed in U.S. Pat. Nos. 6,419,033, 6,196,336, and
5,845,722, all of which are commonly assigned, and are ally hereby
incorporate by reference for all purposes. The term liner is generally
understood to be a tubular member that is suitable to be connected to the
wellbore with cement, gel or other material or device and that does not extend
10 up to the surface.

To control wellbore pressure, an active pressure differential device **628**
is positioned uphole of the liner hanger **616**. The APD Device **628** can be of
any configuration previously discussed with respect to **Figs. 1-5**.

15

During drilling, drilling fluid is pumped into the drilling tubular **614**.
The drilling fluid exits out of the drill bit **620** and flows uphole between an
annulus **630** formed by the liner and the wellbore and then between an
annulus formed by the drilling tubular and the casing. The APD Device **628** is
20 positioned in the casing such that the drilling fluid flowing uphole in the
casing crosses the APD Device **628**. Thus, operation of the APD Device **628**
reduces pressure in the fluid column in the annular areas below the APD
Device **628** in a manner previously described with reference to **Figs. 1-5**.

25 In one exemplary operation, the mud weight of the drilling fluid
circulated in the wellbore **610** is selected to provide a hydrostatic pressure
that is at least equal to the pore pressure of the formation **602**. Thus, even
when drilling fluid is not circulating, the drilling fluid column in the wellbore

5 **610** applies a pressure to the formation **602** that prevents formation fluids from entering the wellbore **610** (i.e., creates an at balance or over-balanced condition). This applied pressure, however, is likely higher than the fracture pressure of the lower pressure formation **604**. Thus, a wellbore section intersecting the lower pressure formation **604** suffers a certain level degree or
10 amount of deterioration. Upon the start of drilling, the dynamic pressure losses associated with the circulating fluid normally increase the pressure applied to the formation **604**, which further increases the rate of hole deterioration and loss of fluid into the formation **604**. Advantageously, the pressure differential created by the APD Device **628** can be selected to
15 minimize or eliminate the dynamic pressure losses. Because the low-pressure formation is subjected to a lower circulating pressure due to the APD Device **628**, the low-pressure formation undergoes a relatively slower rate of deterioration and slower loss of drilling fluid into the formation **604**. Thus, the onset of a well collapse is delayed. Accordingly, the DL-BHA **618** can drill
20 and advance further into the lower-pressure formation **604** before drilling is interrupted by well collapse.

In other embodiments, the system **600** can include an open hole APD Device **634** that is positioned in the open hole wellbore between the upper
25 and lower formations **602** and **604**. Such an APD device can, for example, be anchored in the open hole using suitable packer and energized by electric power. In still other embodiments, two or more APD Devices can be strategically positioned along the wellbore to provide active pressure

5 management for two or more formations. Also, the APD Device does not
necessarily have to be positioned uphole of the liner hanger. As long as the
APD Device is in fluid communication with the fluid in the annulus, the APD
Device can control pressure in the wellbore. Thus, in certain embodiments,
The APD Device could be positioned in the liner itself and flow diverted from
10 the annulus into the APD Device.

It should be appreciated that embodiments of the present invention can
also be utilized to manage wellbore pressure where a low-pressure formation
overlies a high-pressure formation. It should also be appreciated that the
15 pressure management techniques discussed above can also be utilized if a
wellbore has intersected or is expected to intersect two or more formations
have different values for parameter that are influenced by pressure.

Further, it should be appreciated that the teachings of the present
20 invention can be advantageously applied to manage wellbore pressure
throughout the well construction process. As is known, formations can have a
narrow "window" within which wellbore pressure must be maintained to
prevent a kick or damage to the formation. As discussed previously, the lower
pressure limit is generally the pore pressure of the formation and the upper
25 limit is the fracture pressure of the formation. Formations having such
narrow "window" may require pressure management in the completion phase
as well as the drilling phase. That is, if a narrow pressure window was a
consideration during drilling, it will also likely be a consideration when

5 deploying equipment in the wellbore. Exemplary deployments include running equipment such as a liner in the wellbore, setting packers and operating hydraulically actuated tools.

For instance, in certain situations, drilling fluid may be circulated
10 during completion operations wherein wellbore tools are deployed in the wellbore. An exemplary operation is the running of a liner into the wellbore. Referring now to **Fig. 7**, there is shown a system **700** for controlling wellbore pressure when running a liner, or other wellbore equipment such as a packer, screen, whipstock, fishing tool, measurement tool, etc., in the wellbore. The
15 running system **700** includes wellbore equipment such as a liner **702**, a running tool such as a liner hanger **704**, and a work string **706**. Positioned adjacent the liner hanger **704** is an APD Device **710**. In one embodiment, the APD Device **710** is energized using pressurized drilling fluid. Thus, once drilling fluid circulation commences, the APD Device **710** creates a pressure
20 differential in the fluid in an annulus **712** between the liner **702** and the casing or wellbore wall. This pressure differential can reduce or eliminate the dynamic pressure losses and allow the liner to be run in the wellbore while staying within the pressure window of the formation. In like manner, the APD Device **710** can be used when setting packers and hydraulically actuating
25 tools.

Moreover, when wellbore equipment such as a liner are conveyed or “run” into the wellbore, the downhole movement of the equipment causes a pressure

5 increase in the resident wellbore fluid. Known as "surge effect," this pressure increase or spike can well exceed the formation fracture pressure. In certain embodiments of the present invention, the APD Device can be configured to cause a pressure differential that mitigates the surge effect during running of wellbore tools.

10

In yet other applications, a fluid may be circulated in the wellbore may be used to energize or actuate a device such as a packer, a perforating gun or other device adapted to perform a selected wellbore function. Also, wellbore pressure sometimes is increased to actuate such tools. An APD Device
15 suitable positioned in the wellbore can be used to control wellbore pressure during such operations.

As discussed previously, drilling fluid or "mud" is used throughout the drilling process and sometimes utilized during completion and workover activity.
20 Often, however, a fluid other than drilling fluid is used during completion and workover. In these applications, the APD Device can be used to manage wellbore pressure even when a non-drilling fluid is circulated in the wellbore.

In one such application, the APD Device can be used to manage pressure
25 variations that may occur during completion activity such as setting gravel packs. Gravel packing of a well borehole involves placing sized gravel or sand within a wellbore external to a screen. The gravel pack sand and screen slots are sized to prevent formation sand migration into the wellbore. Referring

5 now to **Fig. 8**, there is schematically illustrated a rig **750**, which can be on
shore or offshore, over a wellbore **752** having an extended lateral section **754**
that requires a completion activity such as gravel packing. One method of
setting gravel packs is to pump a fluid containing gravel particles via a work
string **756** into the wellbore **752**. The work string **752** can include a tubular
10 such as drill string, coiled tubing, production tubing, etc. Using suitable flow
control devices, the fluid is directed to the annular space external to a screen
758. While flowing through the screen **758** and into the bore of the work
string **752**, the gravel particles are strained and deposited in the external
annular space to form a gravel pack. The gravel pack filters out sand and
15 other material from the produced fluid and also strengthens the wellbore.

The fluid or slurry entrained with gravel particles when pumped downhole
also suffers dynamic pressure losses. As is known, dynamic pressure losses
vary directly with the length **L** of the wellbore. Thus, it should be appreciated
20 that as the length **L** of the wellbore increases, the total pressure applied to the
formation, *e.g.*, hydrostatic plus dynamic pressure losses, also increases.
Conventionally, in certain formations, the length of the wellbore is limited to
ensure that this total applied pressure does not exceed the fracture pressure of
the formation. Advantageously, an APD Device **760** can be positioned in the
25 wellbore to reduce or eliminate the dynamic pressure losses when pumping
the fluid conveying the gravel particles. By eliminating the dynamic pressure
losses, the APD Device **760** keeps the total pressure applied to the formation
below the fracture pressure for a longer period. Therefore, the length **L** of the

5 wellbore can be increased by an amount shown by the length L' . This can be advantageous, because extending the reach of the lateral wellbore can expose more of the hydrocarbon bearing formation to the wellbore and enhance the production of hydrocarbons from the intersected formation.

10 It should be understood that fluids conveying gravel and sand particles are merely representative of non-drilling fluids used in the wellbore. Generally speaking, drilling fluids are fluids used to flow drill cuttings to the surface, cool and lubricate the drill bit during drilling and/or provide a desired amount of pressure in the wellbore. Non-drilling fluids are typically introduced into

15 the wellbore after drilling and include, but are not limited to, completion fluids and workover fluids. Completion fluids are generally a solids-free liquid used to control a well should downhole hardware fail and to help place certain completion-related equipment, such as gravel packs, without damaging the producing formation. Completion fluids include brines and other fluids having

20 suitable density and flow characteristics. Workover fluids are fluids used during workover operations. Since the wellbore is in contact with the reservoir during most workover operations, workover fluids are generally chemically compatible with the reservoir fluids and formation. Still other non-drilling fluids include cement slurries and acids.

25

Thus, in one aspect, embodiments of the present invention can be used to manage or control wellbore pressure outside the drilling context. These embodiments can be utilized in wellbores where drilling fluid is being

5 circulated or in instances wherein a fluid other than drilling fluid is being
circulated in the wellbore.

While the foregoing disclosure is directed to the preferred
embodiments of the invention, various modifications will be apparent to those
10 skilled in the art. It is intended that all variations within the scope and spirit
of the appended claims be embraced by the foregoing disclosure.

Claims:

- 5 1. A method for controlling pressure in a wellbore drilled in a formation during non-
drilling activities, comprising:
 circulating a non-drilling fluid in the wellbore;
 setting or actuating a selected wellbore equipment positioned in the wellbore using
the circulating non-drilling fluid; and
10 operating an Active Pressure Differential Device (APD Device) positioned in the
wellbore during the setting or actuating of the selected wellbore equipment to control the
wellbore pressure.
- 15 2. The method of claim 1, wherein the non-drilling fluid is one of (i) a completion fluid,
and (ii) a workover fluid.
3. The method of claim 2, wherein the non-drilling fluid includes a fluid having gravel
particles.
- 20 4. The method of any of claims 1 to 3, wherein the APD Device reduces a dynamic
pressure loss associated with the circulating non-drilling fluid.
5. The method of any of claims 1 to 4, wherein controlling wellbore pressure includes
maintaining wellbore pressure below a fracture pressure of the formation.
- 25 6. The method of any of claims 1 to 5, wherein the selected wellbore equipment is one
of: (i) a packer, (ii) a perforating gun, (iii) a gravel pack, and (iv) a hydraulically actuated
tool.
- 30 7. The method of any preceding claim, wherein the non-drilling activities comprise
completion and workover activities.

8. A method for controlling pressure in a wellbore containing a fluid, comprising:
(a) running a selected wellbore equipment in the wellbore; and
(b) operating an active pressure differential device (APD Device) positioned in the wellbore during running of the selected wellbore equipment to control the pressure of the wellbore fluid.
9. The method of claim 8, further comprising circulating fluid in the wellbore while running the selected wellbore equipment in the wellbore.
10. The method of claim 9, wherein the APD Device reduces a dynamic pressure loss associated with the circulating fluid.
11. The method of claim 8, wherein the selected wellbore equipment includes a liner.
12. The method of claim 11, further comprising positioning the APD Device adjacent a liner hanger that is coupled to the liner.
13. The method of claim 11, wherein the selected wellbore equipment is one of: (i) a wellbore tubular, (ii) a liner, (iii) a screen and (iv) a packer.
14. The method of claim 8, wherein the APD Device reduces a surge effect associated with the running of the selected wellbore equipment.
15. A method for controlling pressure in a wellbore drilled in a formation, comprising:
(a) circulating a non-drilling fluid in the wellbore;
(b) positioning an Active Pressure Differential Device (APD Device) in the wellbore;
(c) controlling wellbore pressure by operating the APD Device.
16. The method of claim 15, wherein the non-drilling fluid is one of (i) a completion fluid, and (ii) a workover fluid.
17. The method of claim 16, wherein the APD Device reduces a dynamic pressure loss associated with the circulating non-drilling fluid.
18. The method of claim 16, wherein the non-drilling fluid includes a fluid having gravel particles.
19. The method of claim 16, wherein controlling wellbore pressure includes maintaining wellbore pressure below a fracture pressure of the formation.
20. A method for drilling a wellbore in a formation, comprising:
(a) providing a drill string formed at least partially of a tubular member adapted to be connected to the wellbore;

- (b) drilling the wellbore with the drill string; and
- (c) controlling wellbore pressure using an APD Device positioned in the wellbore.

5 21. The method of claim 20, further comprising circulating drilling fluid in the wellbore and reducing a dynamic pressure loss associated with the circulating drilling fluid using the APD Device.

10 22. The method of claim 20, wherein the wellbore intersects a first formation and a second formation, each having a different value for a formation parameter.

23. The method of claim 22, wherein the formation parameter is selected from one of: (i) a pore pressure and (ii) a fracture pressure.

15 24. The method of claim 20, further comprising circulating a drilling fluid in the wellbore having a weight selected to provide a wellbore pressure greater than a pore pressure of one of the first formation and the second formation.

20 25. The method of claim 20, further comprising positioning the APD Device in a cased section of the wellbore.

26. The method of claim 20 wherein the tubular member is a liner adapted to be cemented in the wellbore.

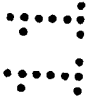
Amendments to the Claims have been filed as follows

Claims:

- 5 1. A method for controlling pressure in a wellbore drilled in a formation during non-
drilling activities, comprising:
 circulating a non-drilling fluid in the wellbore;
 setting or actuating a selected wellbore equipment positioned in the wellbore using
the circulating non-drilling fluid; and
10 operating an Active Pressure Differential Device (APD Device) positioned in the
wellbore during the setting or actuating of the selected wellbore equipment to control the
wellbore pressure.
- 15 2. The method of claim 1, wherein the non-drilling fluid is one of (i) a completion fluid,
and (ii) a workover fluid.
- 20 3. The method of claim 2, wherein the non-drilling fluid includes a fluid having gravel
particles.
- 25 4. The method of any of claims 1 to 3, wherein the APD Device reduces a dynamic
pressure loss associated with the circulating non-drilling fluid.
- 30 5. The method of any of claims 1 to 4, wherein controlling wellbore pressure includes
maintaining wellbore pressure below a fracture pressure of the formation.
- 35 6. The method of any of claims 1 to 5, wherein the selected wellbore equipment is one
of: (i) a packer, (ii) a perforating gun, (iii) a gravel pack, and (iv) a hydraulically actuated
tool.
7. The method of any preceding claim, wherein the non-drilling activities comprise
completion and workover activities.
8. The method of any preceding claim, wherein the method comprises said step of
circulating a non-drilling fluid in the wellbore, wherein the non-drilling fluid does not flow drill
cuttings to the surface of the wellbore.

9. The method of any preceding claim, wherein the non-drilling fluid is introduced into the wellbore after drilling.

5 10. The method of any preceding claim, wherein the non-drilling fluid is: a completion fluid; a workover fluid; cement slurry; or an acid.





Application No: GB1101173.1
Claims searched: 1 - 7 & 15 - 19

Examiner: Mr David Hotchkiss
Date of search: 4 February 2011

Patents Act 1977: Search Report under Section 17

Documents considered to be relevant:

Category	Relevant to claims	Identity of document and passage or figure of particular relevance
X	1 - 7 & 15 - 19	US2004/256161 A1 (BAKER HUGHES) Discloses drilling a wellbore and controlling wellbore pressure using an APD device. Also discloses the use of a BHA at the bottom of a suitable umbilical, which is different from a drilling assembly see paragraph [0036].
X	1 - 7 & 15 - 19	US2004/206548 A1 (BAKER HUGHES) Discloses drilling a wellbore and controlling wellbore pressure using an APD device. Also discloses the use of a BHA at the bottom of a suitable umbilical, which is different from a drilling assembly see paragraph [0030].

Categories:

X	Document indicating lack of novelty or inventive step	A	Document indicating technological background and/or state of the art.
Y	Document indicating lack of inventive step if combined with one or more other documents of same category.	P	Document published on or after the declared priority date but before the filing date of this invention.
&	Member of the same patent family	E	Patent document published on or after, but with priority date earlier than, the filing date of this application.

Field of Search:

Search of GB, EP, WO & US patent documents classified in the following areas of the UKC^X :

Worldwide search of patent documents classified in the following areas of the IPC

E21B

The following online and other databases have been used in the preparation of this search report

Online: WPI, EPODOC

International Classification:

Subclass	Subgroup	Valid From
None		