



US00D623531S

(12) **United States Design Patent**
Ungrady et al.

(10) **Patent No.:** **US D623,531 S**

(45) **Date of Patent:** **** Sep. 14, 2010**

(54) **CONTAINER**

(75) Inventors: **Eric B. Ungrady**, Mt. Wolf, PA (US);
Justin A. Howell, New Cumberland, PA
(US); **Luis Carvallo**, York, PA (US)

(73) Assignee: **Graham Packaging Company, L.P.**,
York, PA (US)

(**) Term: **14 Years**

(21) Appl. No.: **29/351,054**

(22) Filed: **Nov. 30, 2009**

(51) **LOC (9) Cl.** **09-01**

(52) **U.S. Cl.** **D9/538; D9/539; D9/557**

(58) **Field of Classification Search** **D9/500,**
D9/516, 519, 529-530, 537-543, 549, 553,
D9/556-558, 682-694; 215/381-385

See application file for complete search history.

(56) **References Cited**

U.S. PATENT DOCUMENTS

D294,463 S *	3/1988	Lang	D9/553 X
D295,612 S *	5/1988	Ota	D9/557
5,141,121 A *	8/1992	Brown et al.	215/381
D385,799 S *	11/1997	Balz et al.	D9/538 X
D387,671 S *	12/1997	Panella	D9/538
D399,748 S *	10/1998	Paoloski	D9/538 X
D448,673 S *	10/2001	Bretz et al.	D9/557 X
D453,004 S	1/2002	Hirata	
D466,813 S	12/2002	Thierjung et al.	
D472,470 S *	4/2003	Bretz et al.	D9/553 X
D488,722 S *	4/2004	Evans et al.	D9/538
D488,723 S *	4/2004	Evans et al.	D9/551 X

D522,869 S *	6/2006	Leshyk	D9/538
D522,870 S *	6/2006	Venkataraman et al.	D9/538
D523,345 S *	6/2006	Kamineni	D9/537
D545,198 S	6/2007	Hatcher et al.	
D547,665 S	7/2007	Lepoitevin	
D548,087 S	8/2007	Wolf	
D588,463 S *	3/2009	Forget	D9/542
D610,015 S *	2/2010	Yourist et al.	D9/538
D610,016 S *	2/2010	Yourist et al.	D9/538
D610,017 S *	2/2010	Howell et al.	D9/538

* cited by examiner

Primary Examiner—Carol Rademaker

(74) *Attorney, Agent, or Firm*—Knoble Yoshida & Dunleavy,
LLC

(57) **CLAIM**

The ornamental design for a container, as shown and described.

DESCRIPTION

FIG. 1 is a perspective view showing our new design;

FIG. 2 is a front elevational view thereof, the rear elevational view being identical;

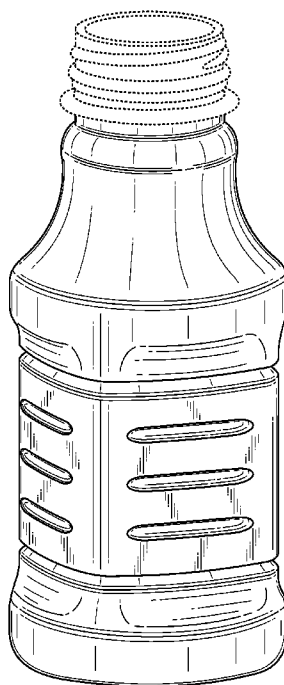
FIG. 3 is right side elevational view thereof, the left side elevational view being identical;

FIG. 4 is a top plan view thereof; and,

FIG. 5 is a bottom plan view thereof.

The broken lines shown in the drawing views are included for the purpose of showing environmental structure that forms no part of the claimed design.

1 Claim, 4 Drawing Sheets



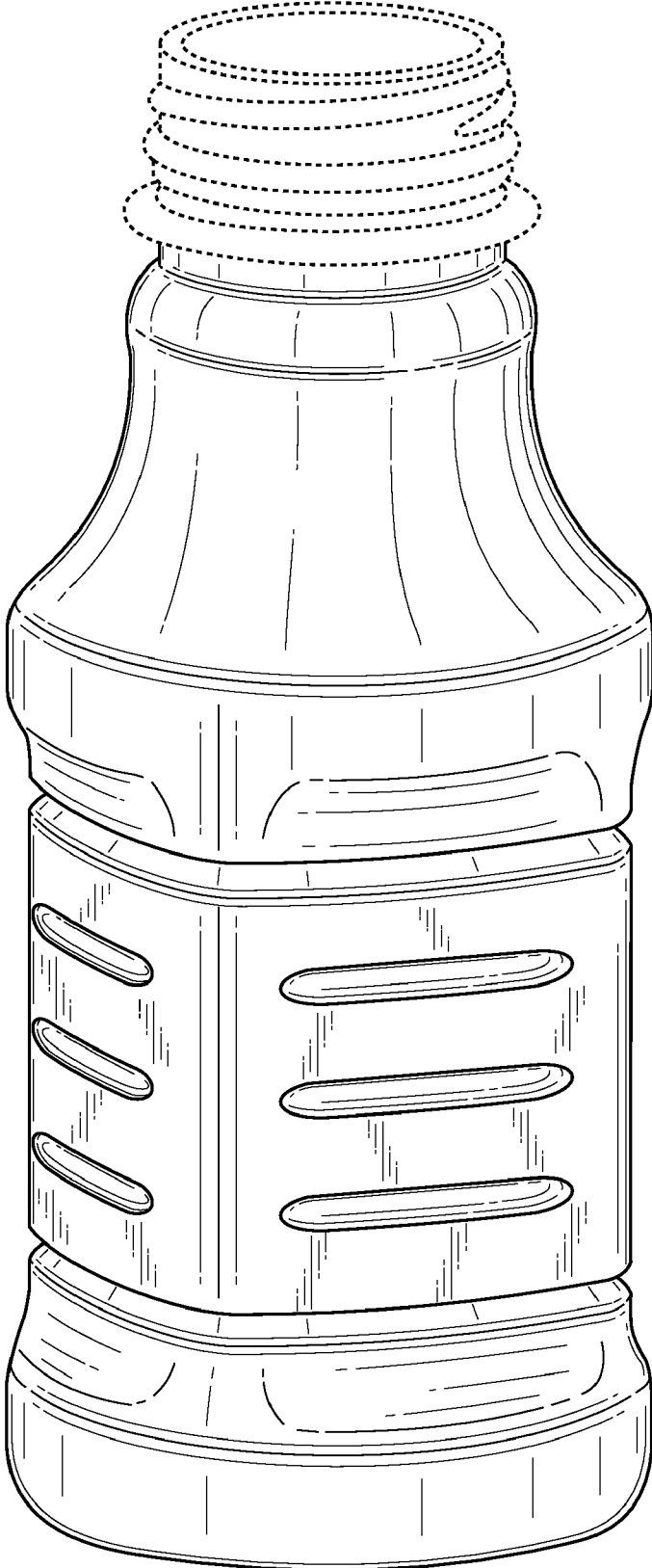


FIG. 1

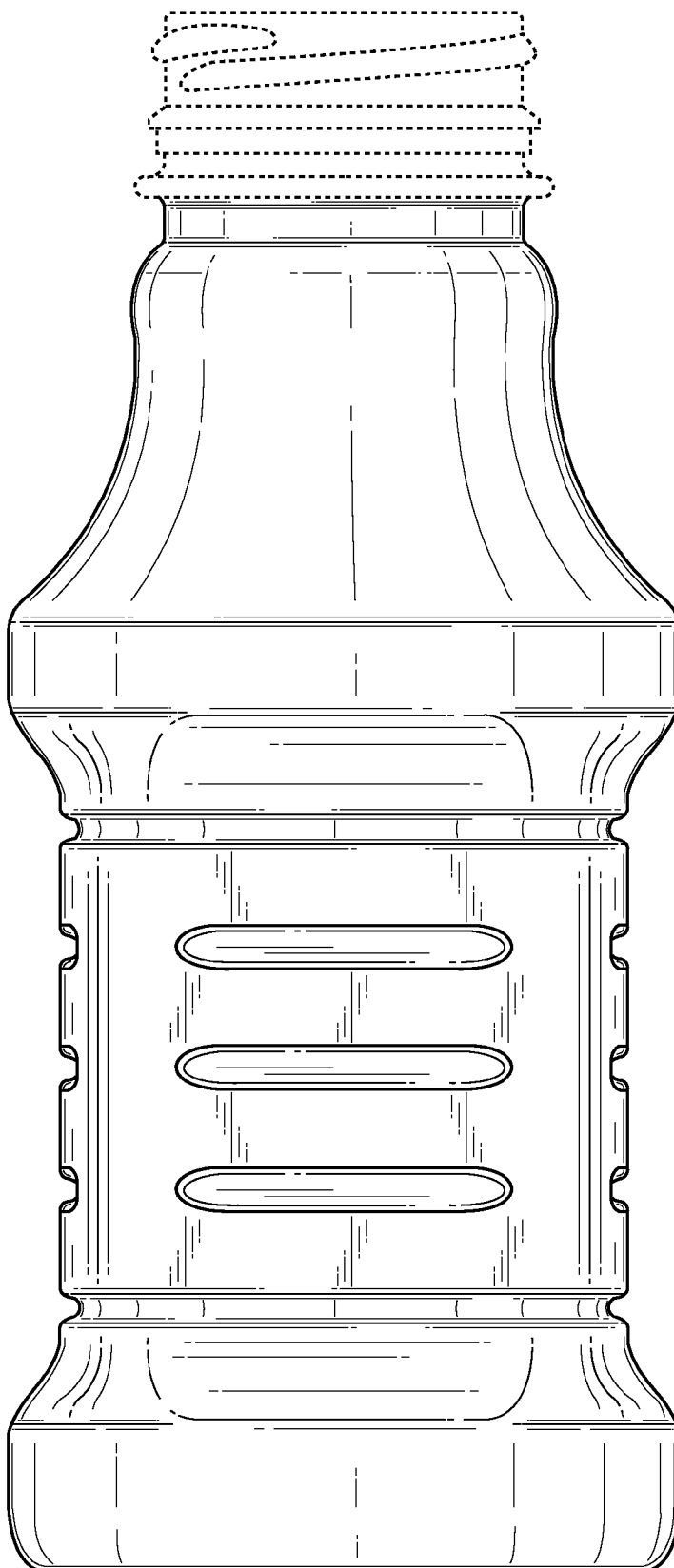


FIG. 2

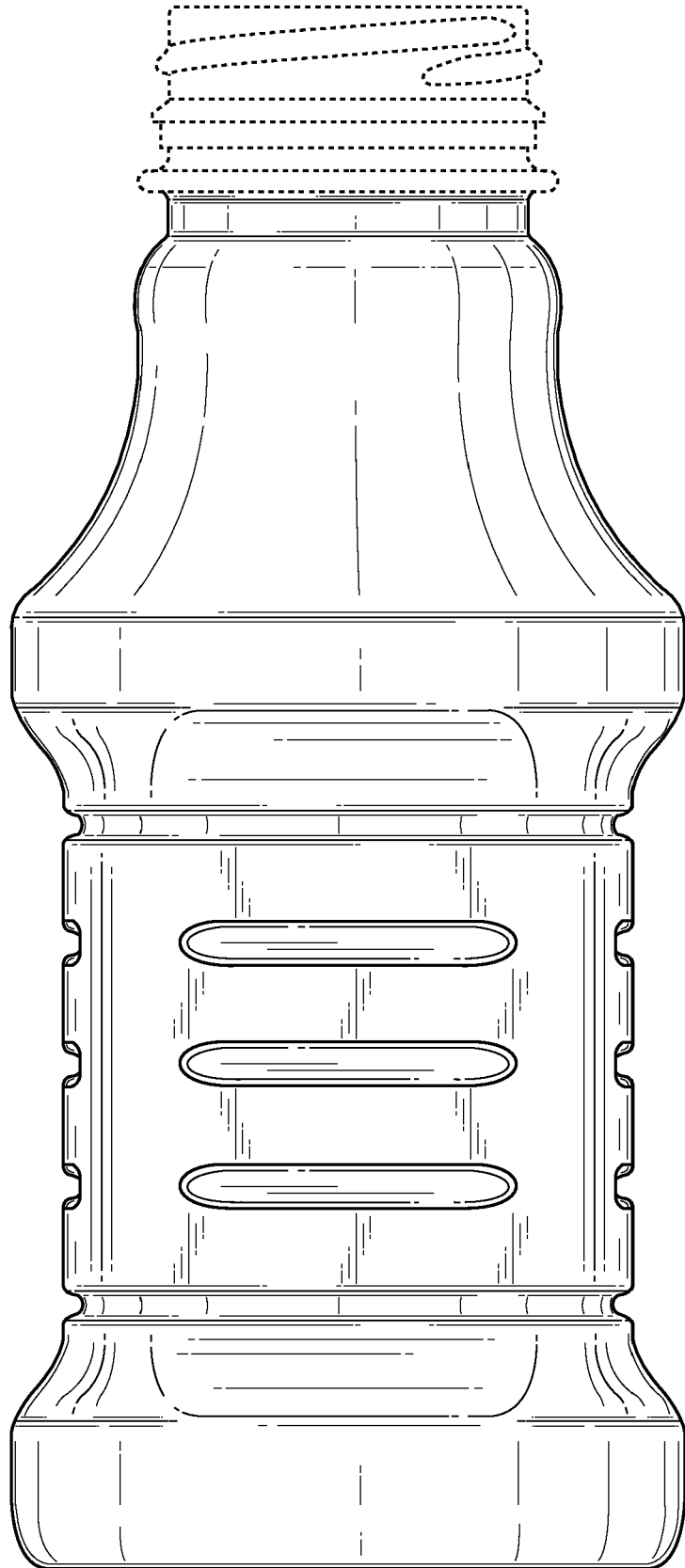


FIG. 3

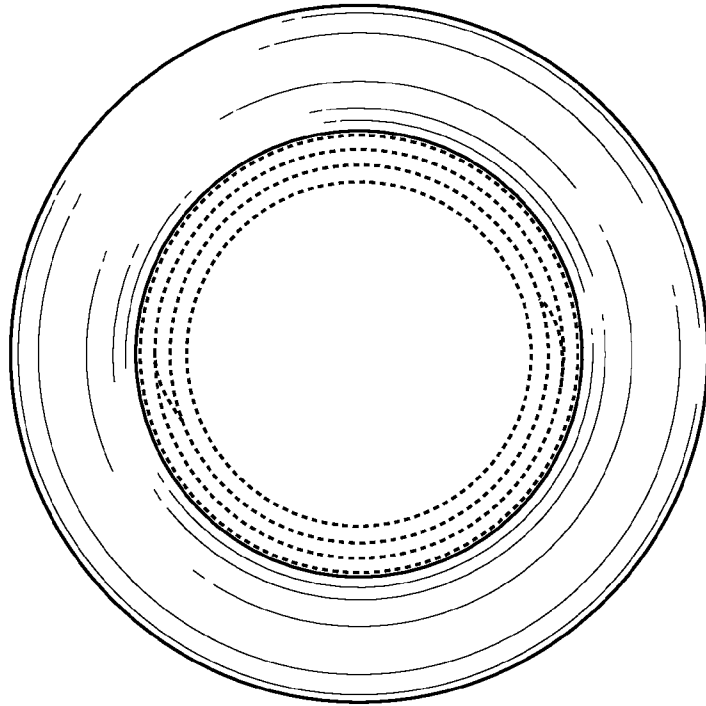


FIG. 4

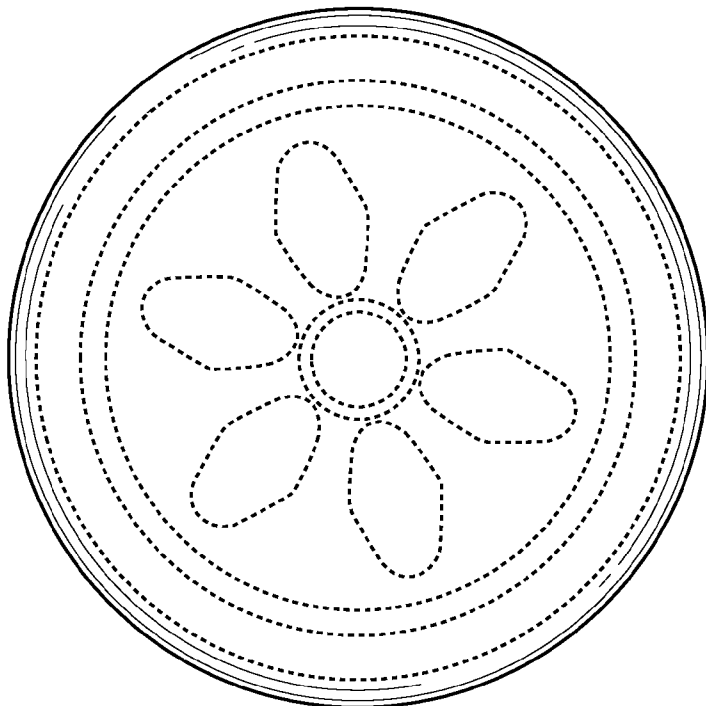


FIG. 5