

[54] **CHAIR**

[75] Inventor: **Robert L. Wilson**, Senatobia, Miss.

[73] Assignee: **Chromcraft Corporation**, Amsterdam, N.Y.

[*] Notice: The portion of the term of this patent subsequent to Feb. 5, 1994, has been disclaimed.

[**] Term: **14 Years**

[21] Appl. No.: **826,785**

[22] Filed: **Aug. 22, 1977**

[51] Int. Cl. **D6—01**

[52] U.S. Cl. **D6/31**

[58] Field of Search D6/26, 30, 31, 63, 71; 297/285, 286, 289, 296, 298, 312, 325, 344, 345

[56] **References Cited**
PUBLICATIONS

Harter Corp. Cat., "Focus Group", chair No. 603. Design Catalog, 9-1976, p. 40, chair left center. Interiors, Nov. 1967, p. 129, chair lower left. "Knoll Furniture Guide", p. 32, chair No. 181S.

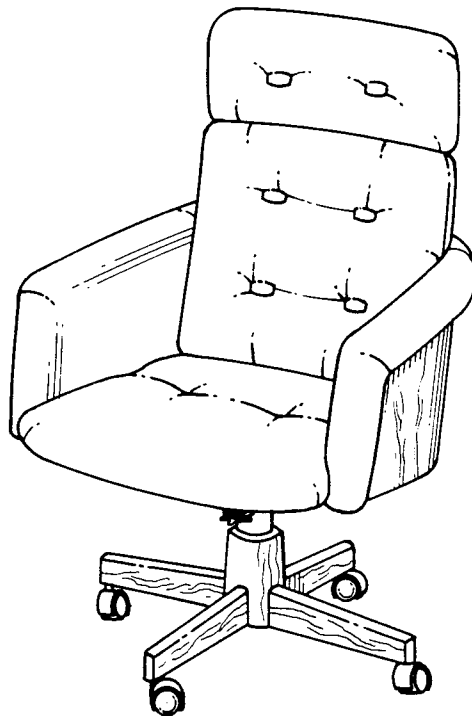
Primary Examiner—Bruce W. Dunkins
Attorney, Agent, or Firm—Joseph P. Flanagan

[57] **CLAIM**

The ornamental design for a chair, as shown and described.

DESCRIPTION

FIG. 1 is a front perspective view of a chair showing my design;
 FIG. 2 is a rear perspective view; and
 FIG. 3 is a side perspective view thereof.



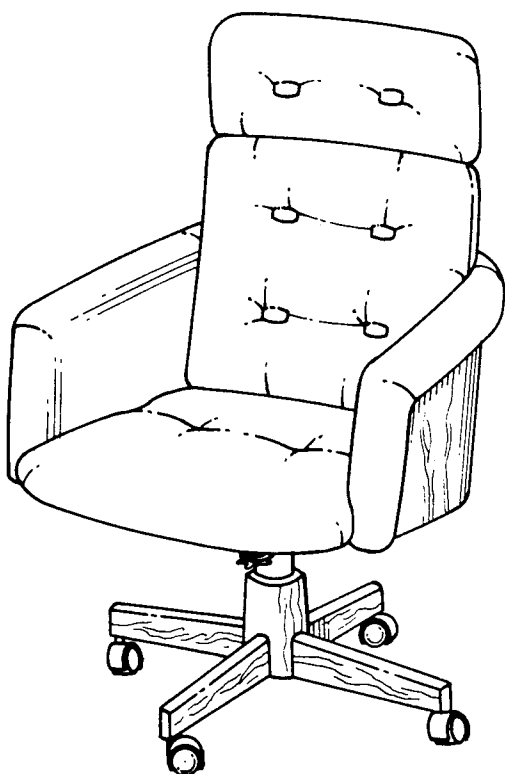


FIG. 1.

FIG. 2.

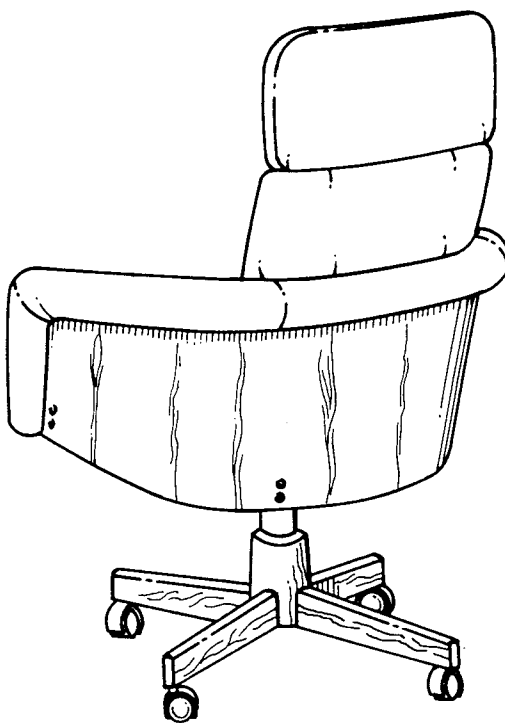


FIG. 3.

