



US00D826998S

(12) **United States Design Patent**  
**Lee et al.**

(10) **Patent No.:** **US D826,998 S**  
(45) **Date of Patent:** **\*\* Aug. 28, 2018**

(54) **REFRIGERATOR**

2317/0664; F25D 2321/147; F25D  
2323/02; F25D 2323/023

(71) Applicant: **LG ELECTRONICS INC.**, Seoul  
(KR)

See application file for complete search history.

(72) Inventors: **Daesung Lee**, Seoul (KR); **Jihyun Lee**,  
Seoul (KR); **Hyungki Kim**, Seoul (KR)

(56) **References Cited**

U.S. PATENT DOCUMENTS

(73) Assignee: **LG ELECTRONICS INC.**, Seoul  
(KR)

D615,565	S	*	5/2010	Kristiansen	.....	D15/86
D629,022	S	*	12/2010	Cho	.....	D15/85
D656,967	S	*	4/2012	Yi	.....	D15/86
D673,189	S	*	12/2012	Kwak	.....	D15/86
D681,075	S	*	4/2013	Yi	.....	D15/86
D691,644	S	*	10/2013	Cho	.....	D15/86
D701,539	S	*	3/2014	Saejin	.....	D15/85
D702,739	S	*	4/2014	Kim	.....	D15/86
D724,629	S	*	3/2015	Choi	.....	D15/85

(\*\*) Term: **15 Years**

(21) Appl. No.: **35/502,972**

(22) Filed: **Nov. 9, 2016**

(Continued)

(80) **Hague Agreement Data**

*Primary Examiner* — Richard E Chilcot

Int. Filing Date: **Nov. 9, 2016**

(74) *Attorney, Agent, or Firm* — Birch, Stewart, Kolasch  
& Birch, LLP

Int. Reg. No.: **DM/093519**

Int. Reg. Date: **Nov. 9, 2016**

Int. Reg. Pub. Date: **May 12, 2017**

(57) **CLAIM**

The ornamental design for a refrigerator, as shown and  
described.

(30) **Foreign Application Priority Data**

**DESCRIPTION**

Jun. 7, 2016 (KR) ..... 30-2016-0027440

(51) **LOC (11) Cl.** ..... **15-07**

(52) **U.S. Cl.** ..... **D15/91**

USPC ..... **D15/91**

CPC ..... **F25D 25/025** (2013.01)

(58) **Field of Classification Search**

USPC ..... D15/79-91

CPC ..... F25D 25/025; F25D 23/028; F25D

2323/024; F25D 23/00; F25D 23/02;

F25D 2323/021; F25D 23/065; F25D

11/00; F25D 2201/14; F25D 23/021;

F25D 23/025; F25D 23/04; F25D 27/00;

F25D 23/062; F25D 23/067; F25D

2400/18; F25D 23/08; F25D 23/085;

F25D 2500/02; F25D 25/00; F25D

25/005; F25D 25/022; F25D 25/024;

F25D 17/047; F25D 2317/041; F25D

2317/04131; F25D 2317/043; F25D

1. Refrigerator

**1.1** is a perspective view of a refrigerator showing my new  
design;

**1.2** is a front elevation view thereof;

**1.3** is a rear elevation view thereof;

**1.4** is a left-side elevation view thereof;

**1.5** is a right-side elevation view thereof;

**1.6** is a top plan view thereof;

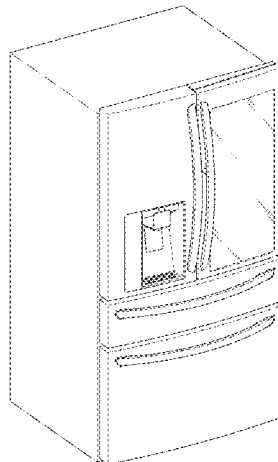
**1.7** is a bottom plan view thereof;

**1.8** is another perspective view thereof, wherein the inside of  
the right outer door is seen through a 'see-through' type of  
window.

**1.9** is another perspective view thereof, wherein the right  
outer door is in an opened position; and

**1.10** is another perspective view thereof, wherein each of the  
right inner and outer doors is in an opened position.

(Continued)



The broken lines shown are included for the purpose of illustrating unclaimed portions of the refrigerator and form no part of the claimed design.

**1 Claim, 10 Drawing Sheets**

(56)

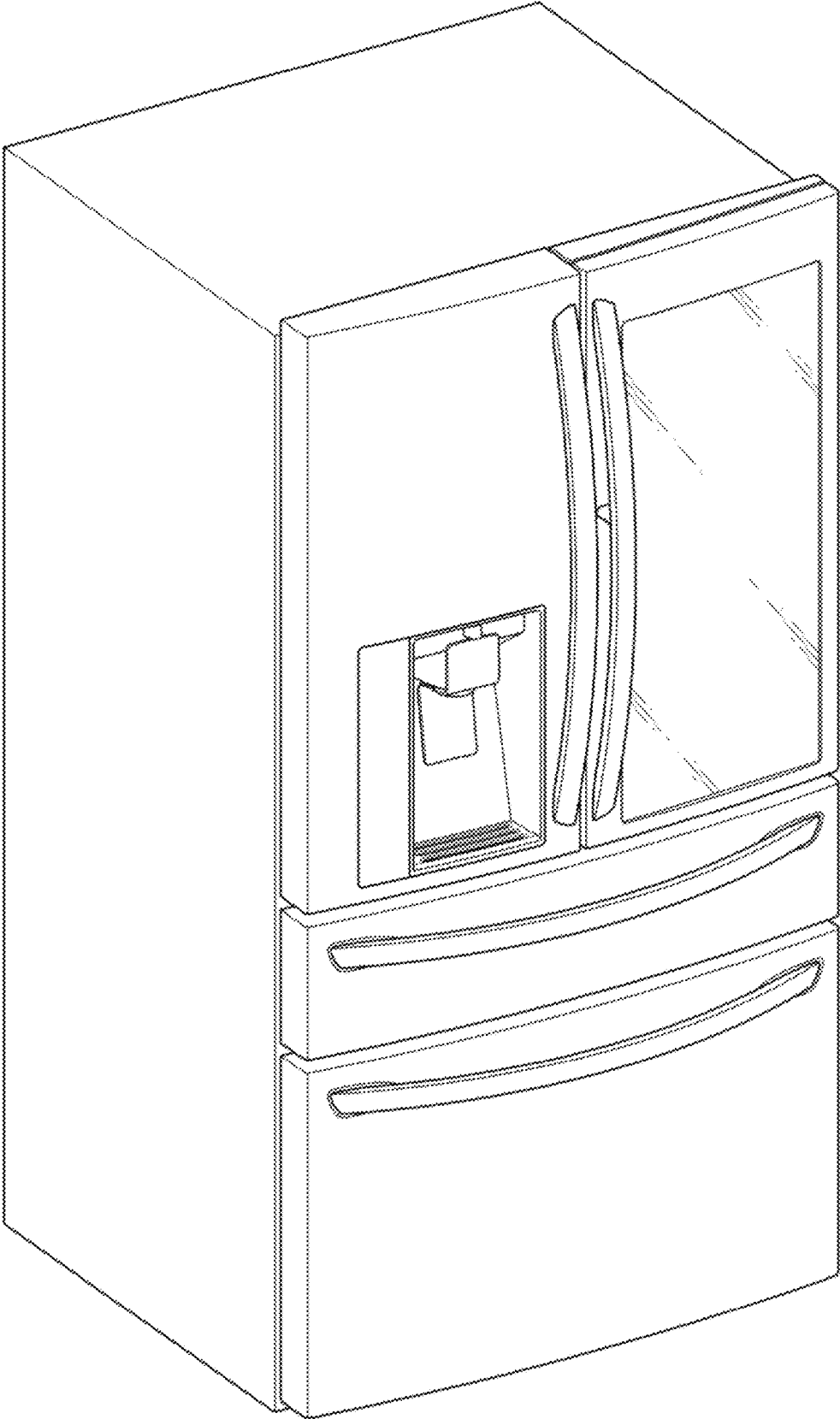
**References Cited**

U.S. PATENT DOCUMENTS

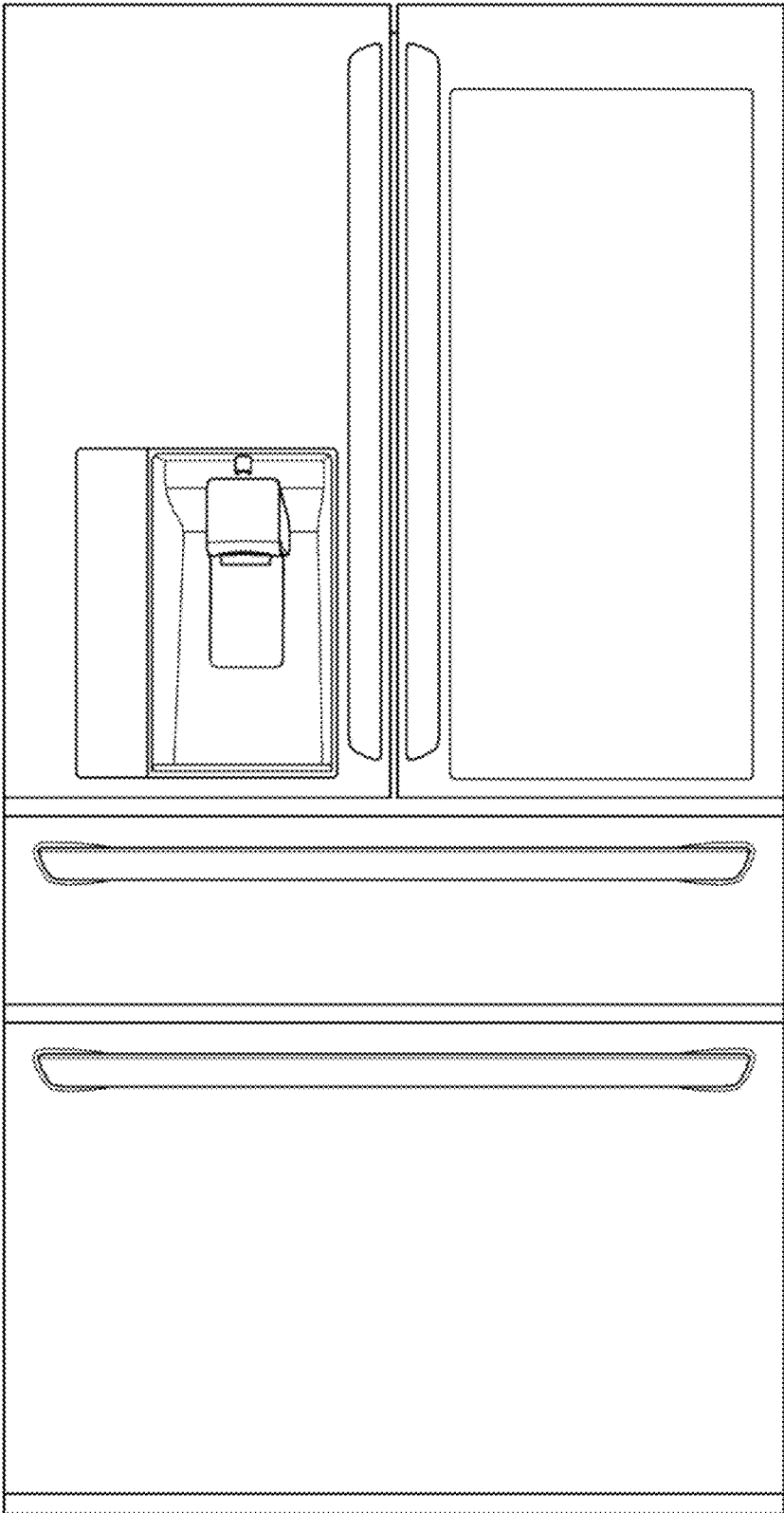
D729,286	S	*	5/2015	Kwak	.....	D15/85
D732,584	S	*	6/2015	Sin	.....	D15/86
D742,434	S	*	11/2015	Yeo	.....	D15/86
D767,648	S	*	9/2016	Shoemaker	.....	D15/86
D806,763	S	*	1/2018	Cho	.....	D15/86
D807,410	S	*	1/2018	Cho	.....	D15/86
D812,650	S	*	3/2018	Kim	.....	D15/91
D812,651	S	*	3/2018	Kim	.....	D15/91
D812,652	S	*	3/2018	Kim	.....	D15/91

\* cited by examiner

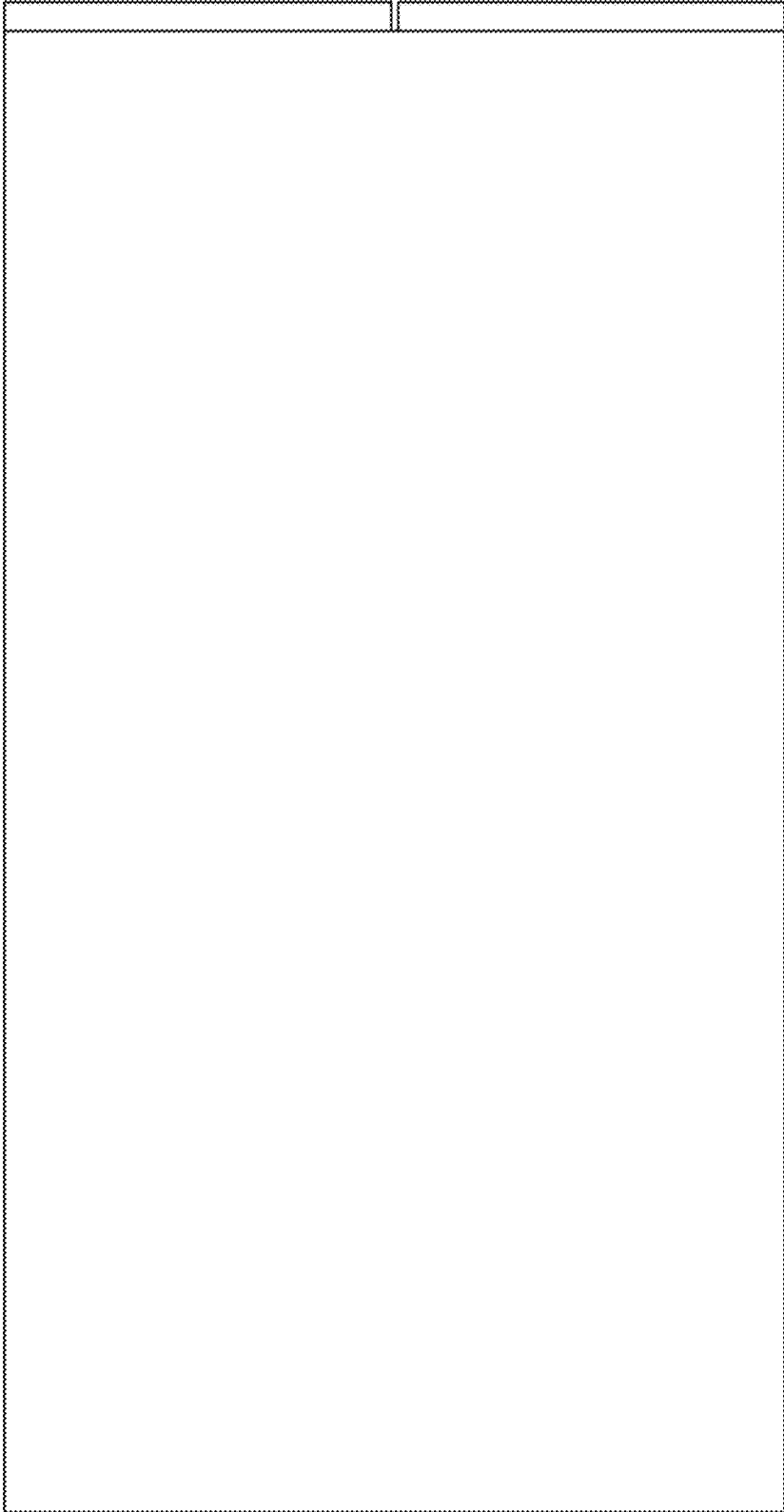
1.1



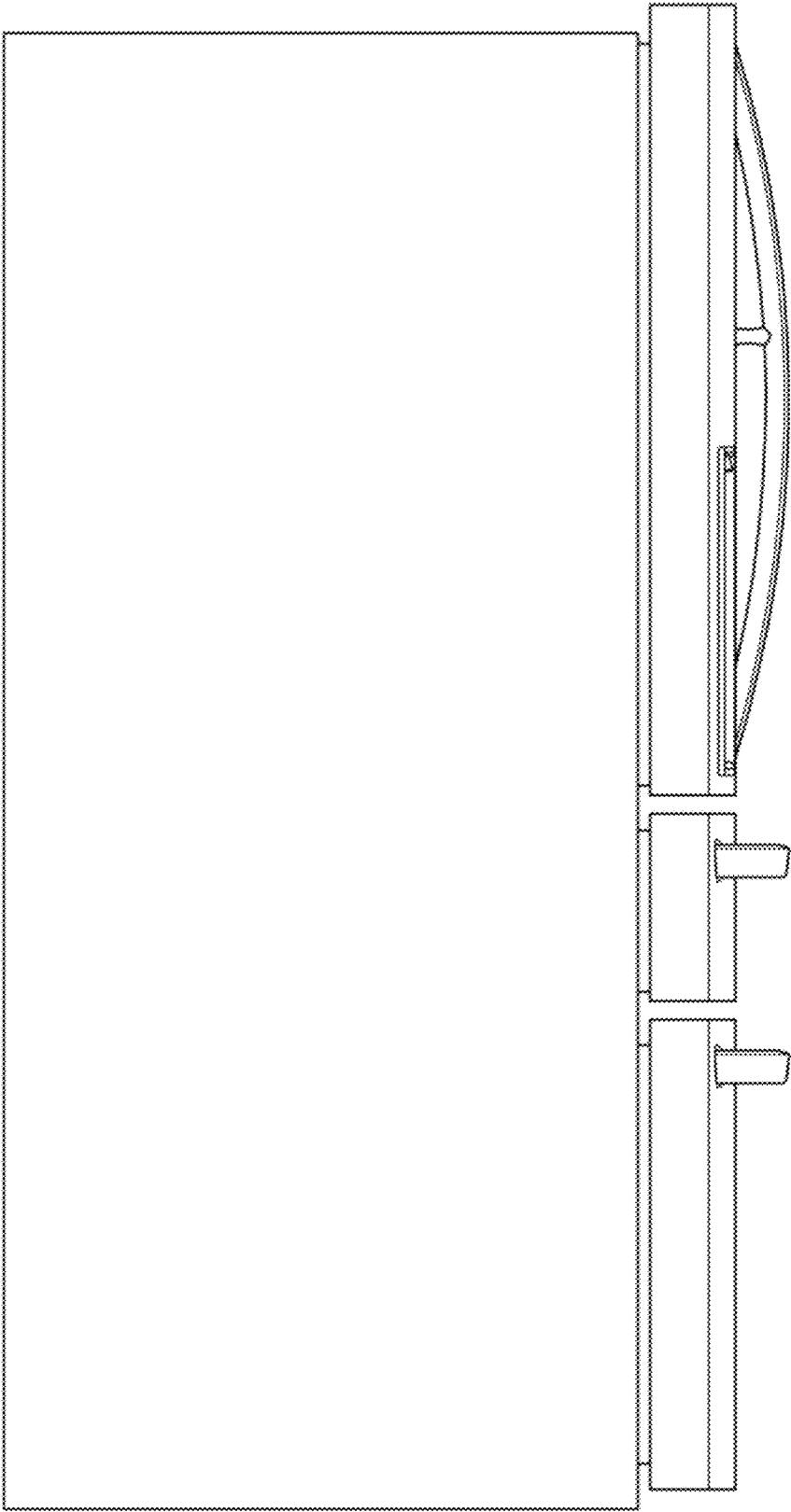
1.2



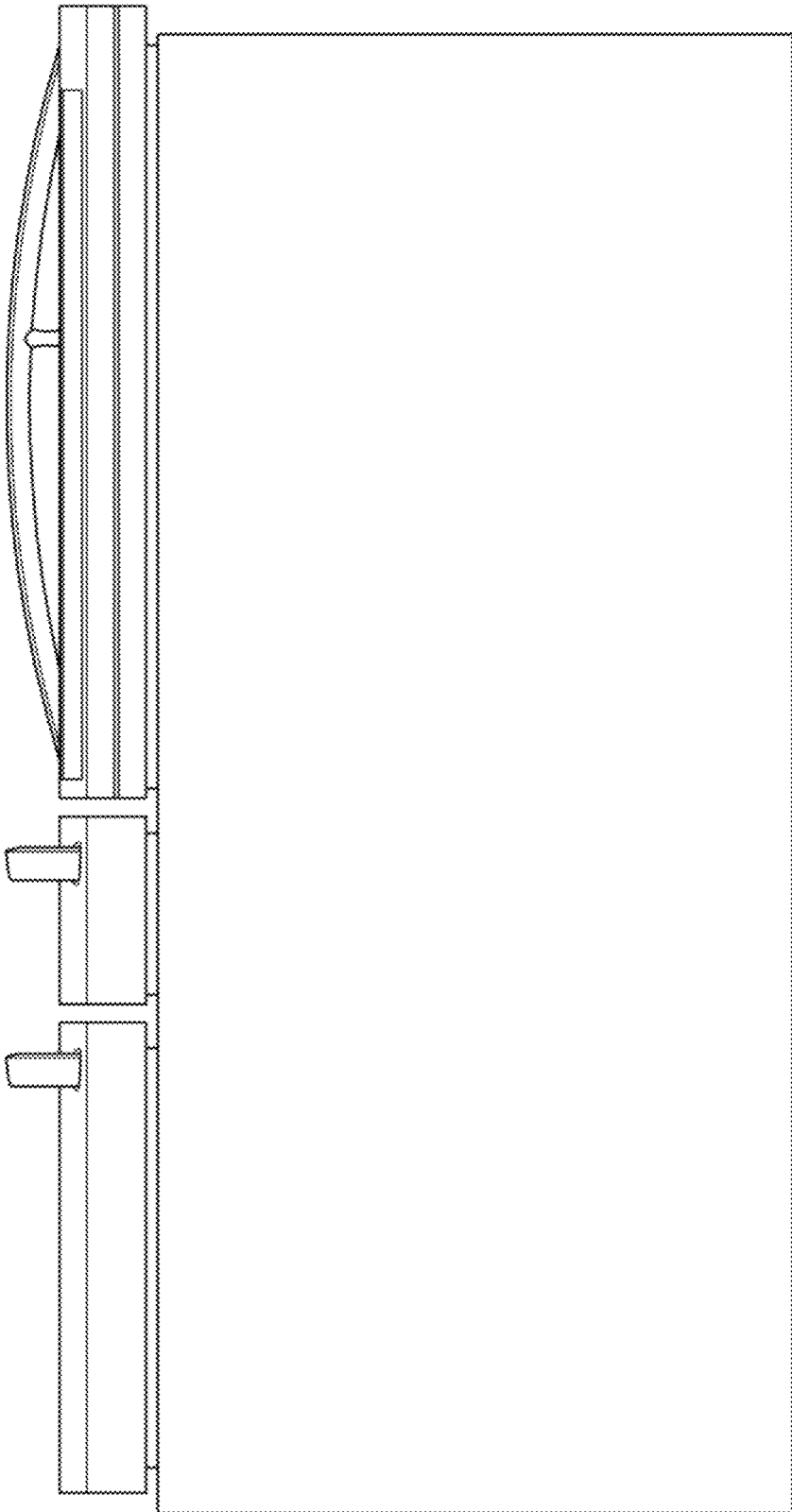
1.3



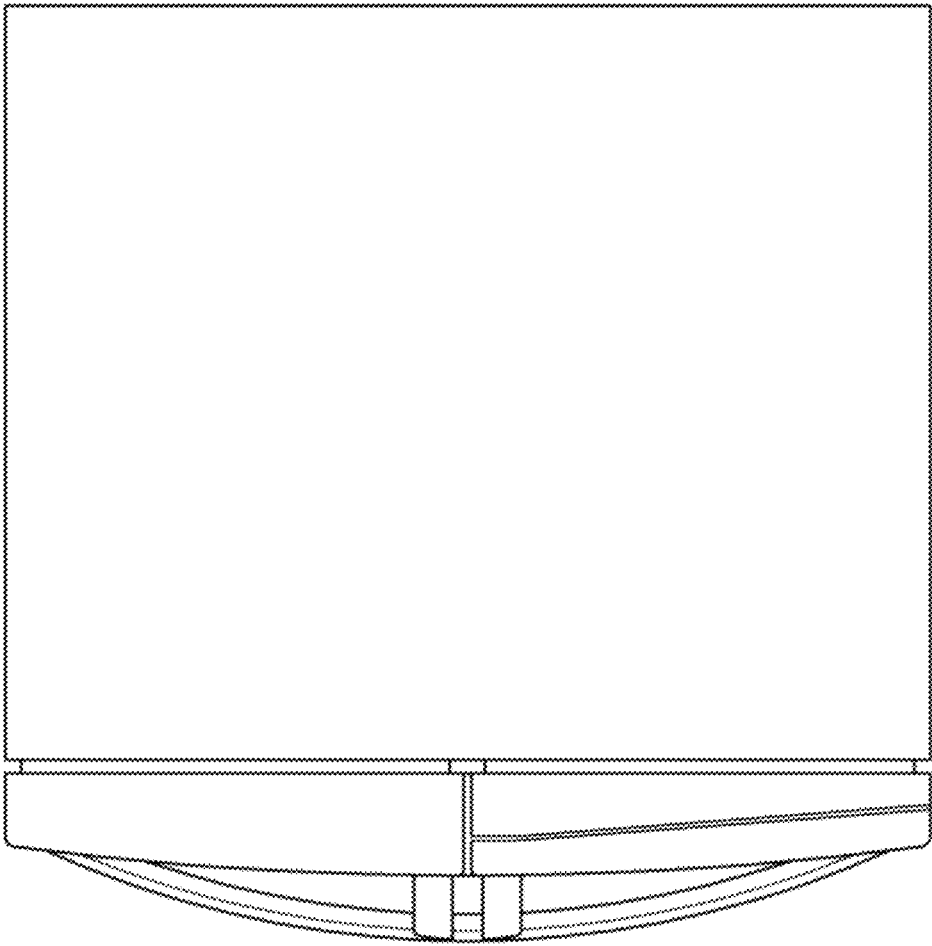
1.4



1.5

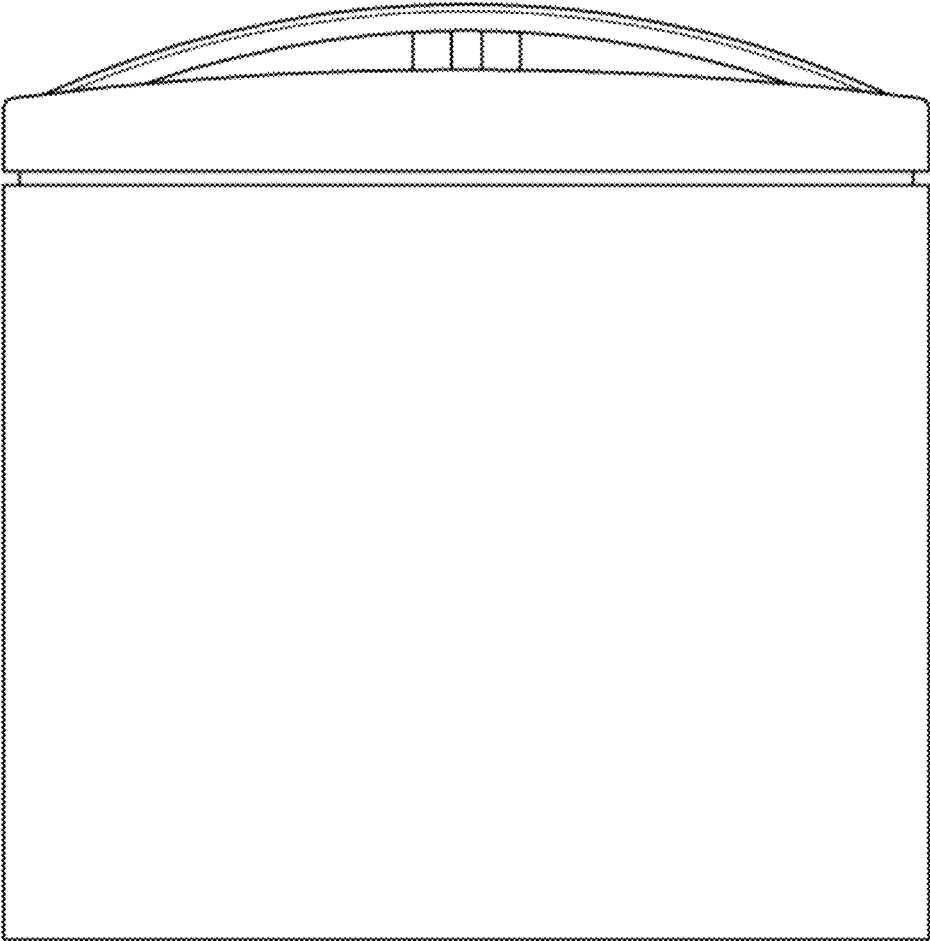


1.6

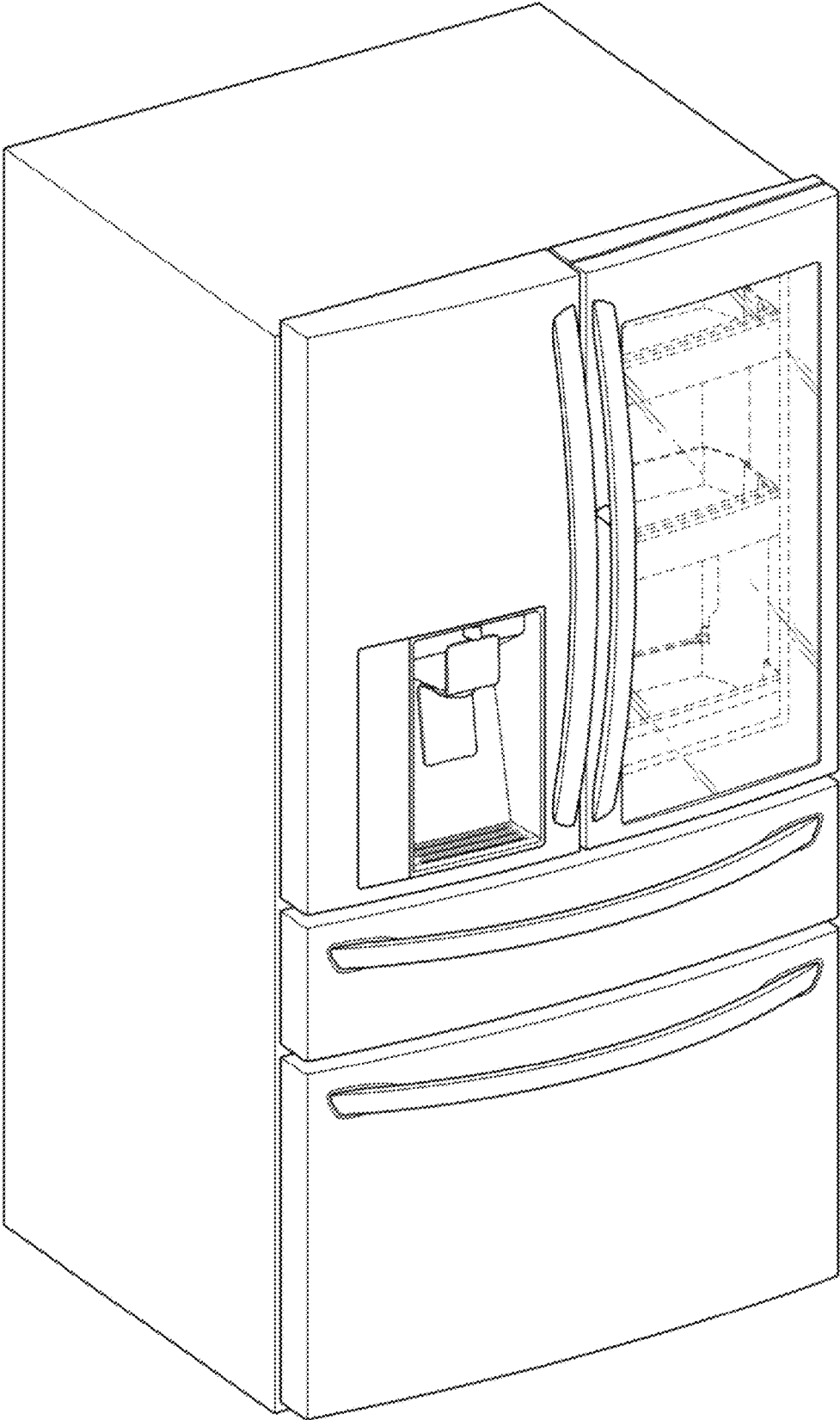




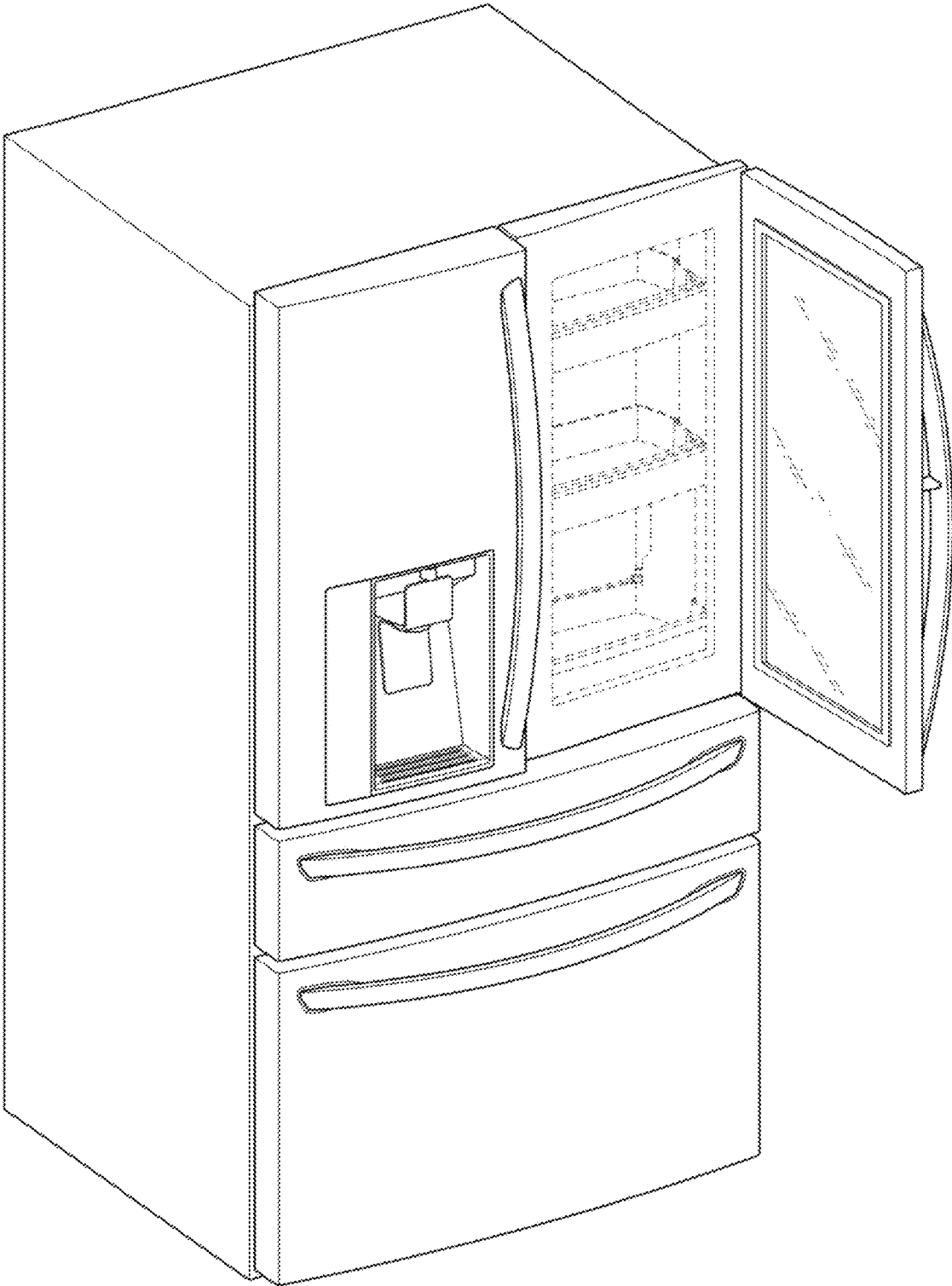
1.7



1.8



1.9



1.10

