

United States Patent [19]

Takeuchi

[11] Patent Number: Des. 281,442

[45] Date of Patent: ** Nov. 19, 1985

[54] DEVICE FOR PROPELLING TOY CARS

[75] Inventor: Kazutaka Takeuchi, Murakami
Yachiyo, Japan

[73] Assignee: Blue Box Toy Factory Limited, Hong
Kong, Hong Kong

[**] Term: 14 Years

[21] Appl. No.: 487,674

[22] Filed: Apr. 22, 1983

[30] Foreign Application Priority Data

Oct. 28, 1982 [GB] United Kingdom 1009434
[52] U.S. Cl. D21/141
[58] Field of Search D21/141, 143, 142;
446/429, 430; 273/86 B

[56] References Cited

U.S. PATENT DOCUMENTS

3,600,850 8/1971 Summerfield et al. 446/429
3,789,540 2/1974 Convertine et al. 446/429
3,798,832 3/1974 Terzian 446/429
3,877,169 4/1975 Munday et al. 446/430

Primary Examiner—Melvin B. Feifer
Attorney, Agent, or Firm—Pollock, Vande Sande &
Priddy

[57] CLAIM

The ornamental design for a device for propelling toy cars, as shown.

DESCRIPTION

FIG. 1 is a front perspective from above and one side of a device for propelling toy cars showing my new design;
FIG. 2 is an opposite side elevation;
FIG. 3 is a top plan view; and
FIG. 4 is a rear elevation.

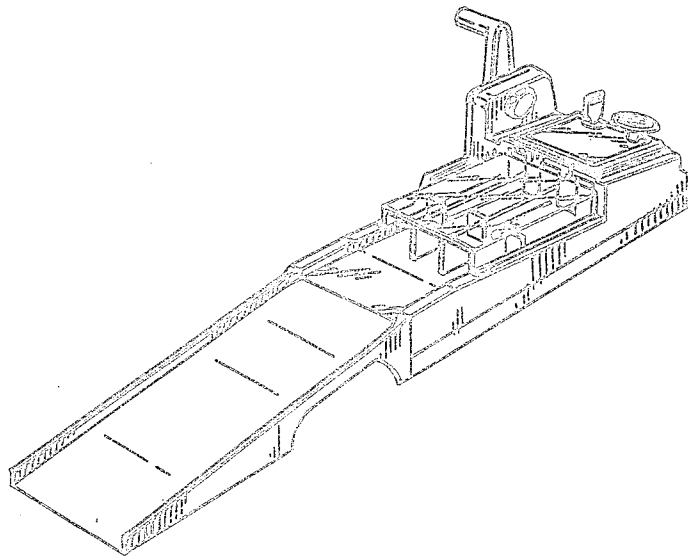


FIG. 1.

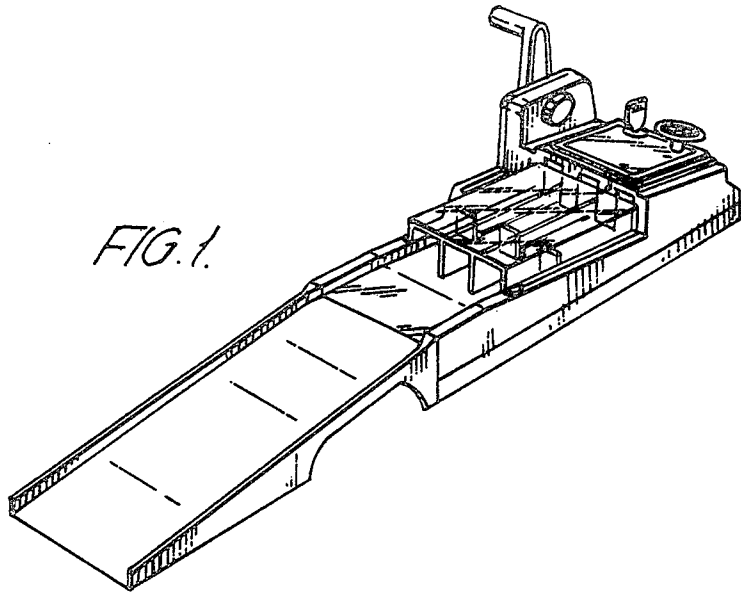


FIG. 2.

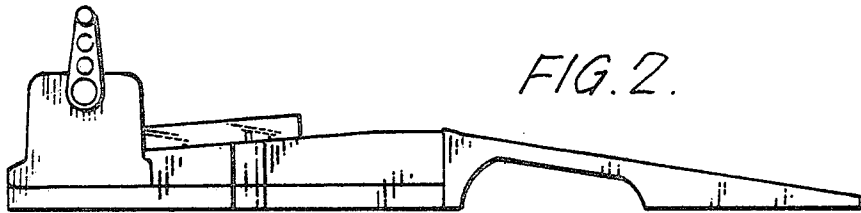


FIG. 3.

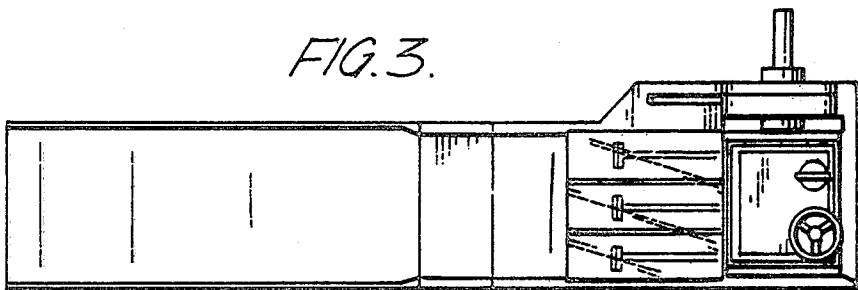


FIG. 4.

