



US00D401016S

**United States Patent** [19]  
**Holliday**

[11] **Patent Number: Des. 401,016**  
[45] **Date of Patent: \*\*Nov. 10, 1998**

[54] **HOLDER FOR HOT HAIR DRYERS AND CURLERS**

[76] Inventor: **Deanna Holliday**, 7585 Deep Creek, Apple Valley, Calif. 92308

[\*\*] Term: **14 Years**

[21] Appl. No.: **66,289**

[22] Filed: **Feb. 10, 1997**

[51] **LOC (6) Cl. .... 28-03**

[52] **U.S. Cl. .... D28/73; D28/38; D19/85; D6/463; D6/524**

[58] **Field of Search .... D28/61, 73, 38; D19/75, 77, 81, 84, 85; D11/143, 147, 155, 152; D8/71; D6/403, 405, 416, 469, 466, 524-528, 534, 552; 211/60.1, 69.5, 70.6, 70.7, 70.8; 248/117.1-117.7, 176.2, 520, 538; 219/242**

[56] **References Cited**

**U.S. PATENT DOCUMENTS**

- D. 147,009 7/1947 Greger ..... D7/553 X
- D. 152,655 2/1949 Rossell ..... D11/147
- D. 161,749 1/1951 Griner ..... D19/85 X

- D. 226,507 3/1973 Wright ..... D6/512 X
- D. 239,903 5/1976 Donaldson ..... D6/552
- D. 243,559 3/1977 Hoyle et al. .... D28/38
- D. 244,857 6/1977 Hayes ..... D6/466 X
- D. 357,886 5/1995 Fuller ..... D11/152
- D. 374,312 10/1996 Edgar ..... D28/73
- 1,641,829 9/1927 Sheaffer et al. .... 211/69.5
- 4,291,809 9/1981 Lyon ..... 211/69.5

*Primary Examiner*—Ted Shooman  
*Assistant Examiner*—C. Tuttle  
*Attorney, Agent, or Firm*—Timothy T. Tyson

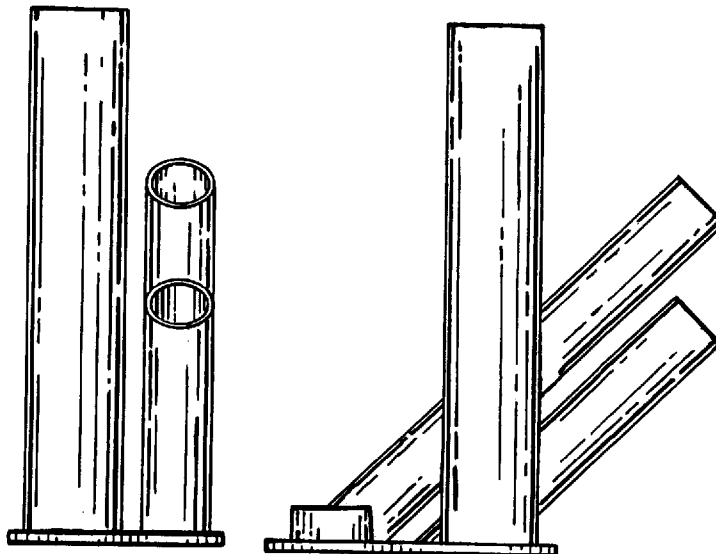
[57] **CLAIM**

The ornamental design for a holder for hot hair dryers and curlers, as shown.

**DESCRIPTION**

FIG. 1 is a left side elevational view of a holder for hot hair dryers and curlers showing my new design; FIG. 2 is a right side elevational view thereof; FIG. 3 is a front elevational view thereof; FIG. 4 is a top plan view thereof; FIG. 5 is a rear elevational view thereof; and, FIG. 6 is a bottom plan view thereof.

**1 Claim, 1 Drawing Sheet**



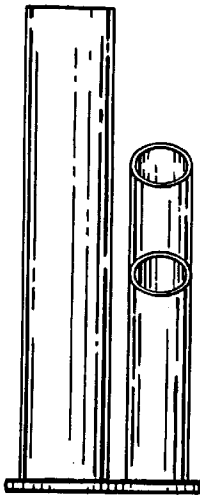


FIG. 3

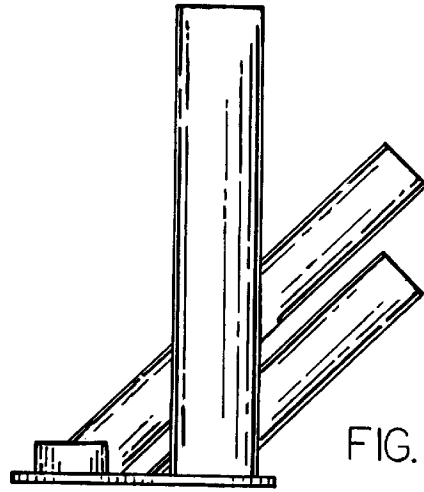


FIG. 1

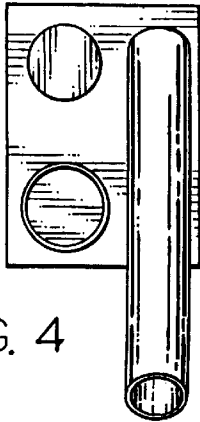


FIG. 4

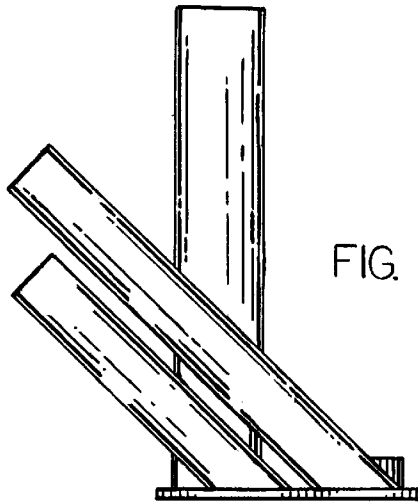


FIG. 2

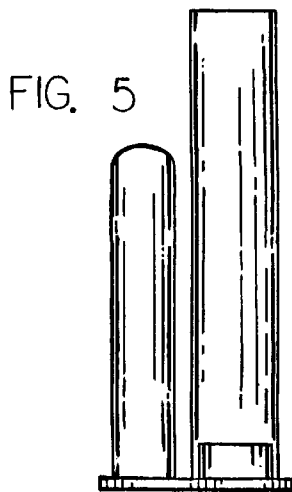


FIG. 5

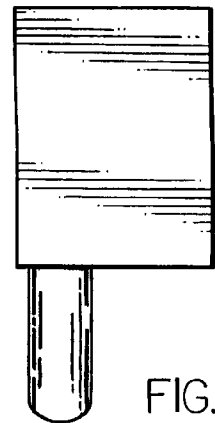


FIG. 6