



US00D974338S

(12) **United States Design Patent** (10) **Patent No.:** **US D974,338 S**
Atojoko (45) **Date of Patent:** **** *Jan. 3, 2023**

- (54) **ANTENNA**
- (71) Applicant: **Avery Dennison Retail Information Services LLC**, Mentor, OH (US)
- (72) Inventor: **Achimugu A. Atojoko**, Essex (GB)
- (73) Assignee: **Avery Dennison Retail Information Services LLC**, Mentor, OH (US)
- (*) Notice: This patent is subject to a terminal disclaimer.
- (**) Term: **15 Years**
- (21) Appl. No.: **29/766,409**
- (22) Filed: **Jan. 15, 2021**
- (51) **LOC (14) Cl.** **14-03**
- (52) **U.S. Cl.**
USPC **D14/230**
- (58) **Field of Classification Search**
USPC D14/138, 230, 299, 358, 231-239;
D12/42, 43; D19/1
CPC H01Q 7/00; H01Q 13/10; H01Q 19/30;
H01Q 19/12; H01Q 9/285; H05K 11/00;
G05D 1/0234
See application file for complete search history.

D800,098 S *	10/2017	Lai	D14/230
D875,721 S *	2/2020	Forster	D14/230
D907,015 S *	1/2021	Atojoko	D14/230
D909,353 S *	2/2021	Howard	D14/230
D911,318 S *	2/2021	Atojoko	D14/230
2014/0320367 A1*	10/2014	Alkhateeb	H01Q 1/38 343/804
2021/0367325 A1*	11/2021	Kato	H01Q 1/2225

FOREIGN PATENT DOCUMENTS

CN	306249162	*	12/2020
CN	306907515	*	10/2021
CN	306979129	*	12/2021
CN	307034962	*	12/2021

OTHER PUBLICATIONS

Avery Dennison, RFIDInlay:AD-374 U9 NEL, online, 2021,<URL:https://rfid.averydennison.com/content/dam/rfid/en/products/rfid-products/data-sheets/datasheet-AD-374u9-NEL.pdf, retrieved Jan. 7, 2022 (Year: 2021).*

Yarongtech UHF RFID Tag 9662, available in Amazon.com, Date First Available Aug. 30, 2015 [online], [Jan. 10, 2022], Available from the internet URL: https://www.amazon.com/dp/B07BZHKG3D3/ref=cm_sw_em_r_mt_dp_15S98ZFW3BA22DVN10DG (Year: 2015).*

* cited by examiner

Primary Examiner — Daniel J Domino
Assistant Examiner — Samina Vieth

(56) **References Cited**
U.S. PATENT DOCUMENTS

D535,264 S *	1/2007	Lai	D13/182
D708,171 S *	7/2014	Forster	D14/230
D713,394 S *	9/2014	Forster	D14/230
D719,936 S *	12/2014	Forster	D14/230
D719,937 S *	12/2014	Forster	D14/230
D758,357 S *	6/2016	Man	D14/230
D776,093 S *	1/2017	Forster	D14/230
D787,483 S *	5/2017	Forster	D14/230
D787,484 S *	5/2017	Forster	D14/230

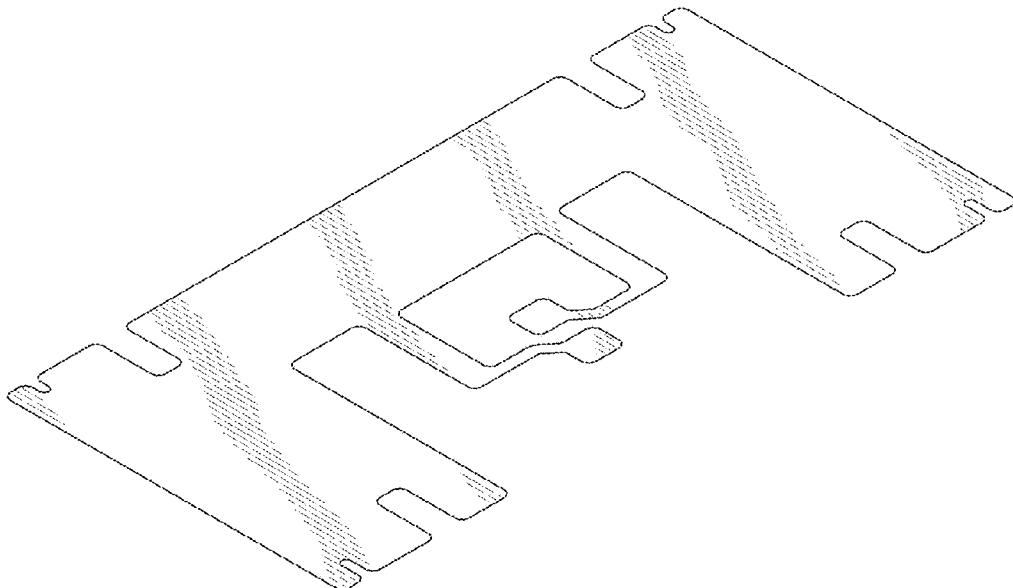
(57) **CLAIM**

The ornamental design for an antenna, as shown and described.

DESCRIPTION

FIG. 1 is an isometric view of an antenna, showing the design; and,
FIG. 2 is a top plan view thereof.

1 Claim, 2 Drawing Sheets



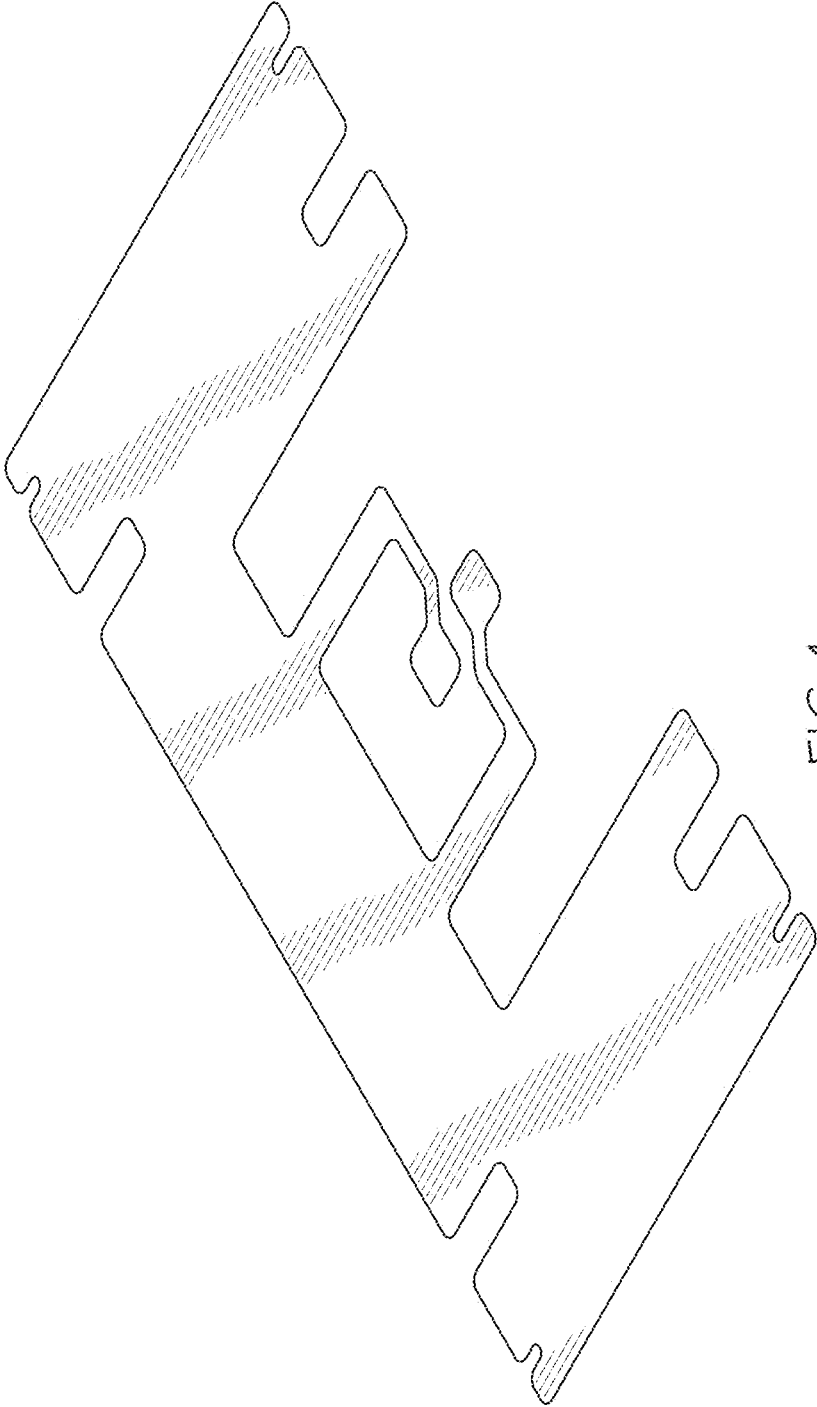


FIG. 1

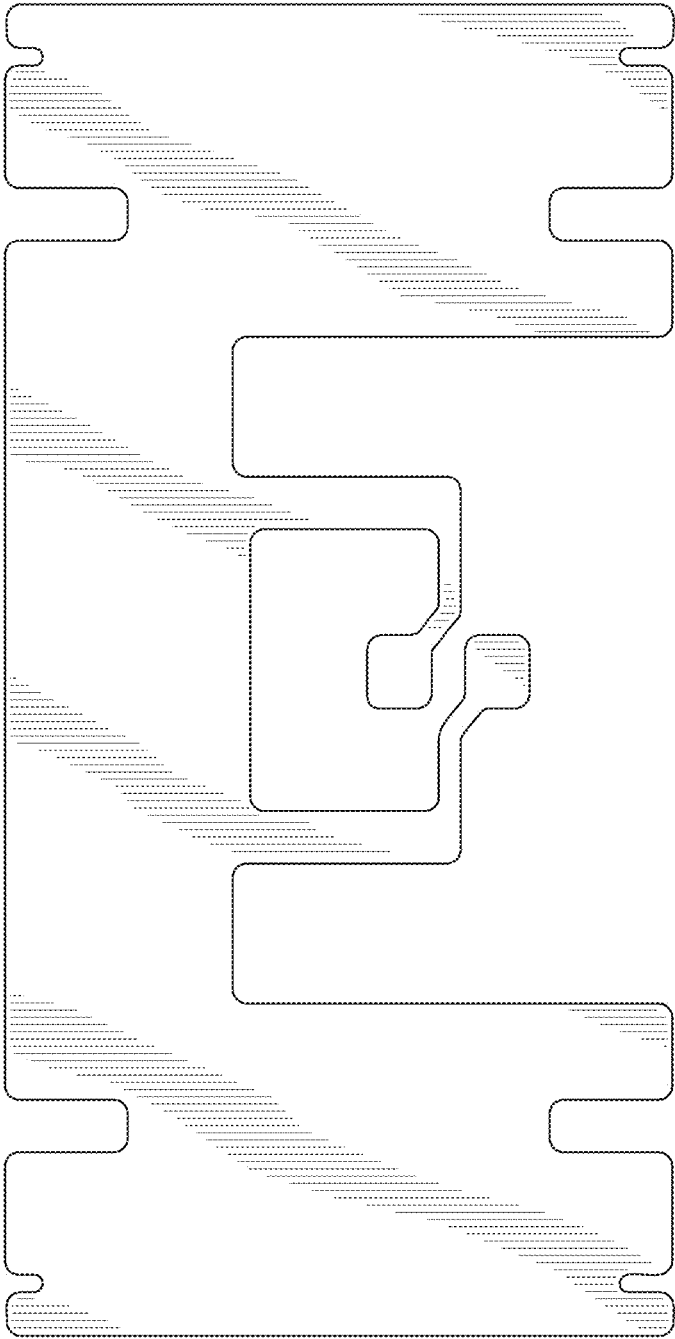


FIG. 2