



US00D569192S

(12) **United States Design Patent**
Bodum

(10) **Patent No.:** **US D569,192 S**

(45) **Date of Patent:** **** May 20, 2008**

(54) **DOUBLE WALL CUP**

(75) Inventor: **Jørgen Bodum**, Meggen (CH)

(73) Assignee: **Pi-Design AG**, Triengen (CH)

(**) Term: **14 Years**

(21) Appl. No.: **29/297,395**

(22) Filed: **Nov. 9, 2007**

(30) **Foreign Application Priority Data**

May 11, 2007 (DK) DA 2007 00122

(51) **LOC (8) Cl.** **07-01**

(52) **U.S. Cl.** **D7/536; D7/533**

(58) **Field of Classification Search** D25/7,
D25/102, 104, 117, 130; D26/11; D34/7,
D34/9; 206/520; 215/DIG. 7, 387; 220/DIG. 13,
220/4.06, 4.24, 507, 516, 592.16, 592.17,
220/669, 710.5; 229/400, 402; D7/319,
D7/361, 396.2, 500, 509, 510, 513-515, 518,
D7/521, 531-536, 538, 541, 545, 601, 613,
D7/622; D3/271.6; D8/DIG. 9; D9/516,
D9/555, 600, 636, 716, 718, 741, 751; D24/122
See application file for complete search history.

(56) **References Cited**

U.S. PATENT DOCUMENTS

2,278,586	A *	4/1942	Potter	220/719
2,493,633	A *	1/1950	Mart	206/519
2,876,634	A *	3/1959	Zimmerman et al.	62/457.3
2,895,636	A *	7/1959	Martin	220/574
3,279,638	A *	10/1966	Merry	215/395
D222,375	S *	10/1971	Bencik	D7/523
D400,398	S *	11/1998	McNaughton	D7/513
5,975,333	A *	11/1999	Lee	220/571
D438,430	S *	3/2001	Gabrhel	D7/523

D463,756	S *	10/2002	Ve	D11/152
D519,785	S *	5/2006	Bodum	D7/523
D539,091	S *	3/2007	Mansfield	D7/513
D543,784	S *	6/2007	Assez	D7/523
D553,437	S *	10/2007	Bodum	D7/523
D553,440	S *	10/2007	Bodum	D7/523
D553,442	S *	10/2007	Bodum	D7/536
D553,909	S *	10/2007	Bodum	D7/523
D553,911	S *	10/2007	Bodum	D7/536
D557,563	S *	12/2007	Bodum	D7/536
D557,564	S *	12/2007	Bodum	D7/536
D557,985	S *	12/2007	Arcangeli	D7/536
2006/0021986	A1 *	2/2006	Mansfield et al.	220/506

* cited by examiner

Primary Examiner—Philip S. Hyder

Assistant Examiner—Cynthia Underwood

(74) *Attorney, Agent, or Firm*—Cowan, Liebowitz & Latman, PC

(57) **CLAIM**

The ornamental design for a double wall cup, as shown and described.

DESCRIPTION

FIG. 1 is a perspective view of the double wall cup showing my design thereof;

FIG. 2 is a front view thereof;

FIG. 3 is a back view thereof;

FIG. 4 is a right side view thereof;

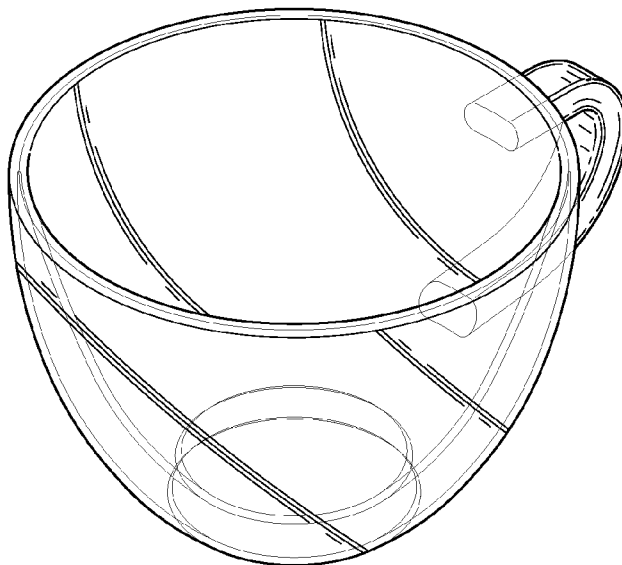
FIG. 5 is a left side view thereof;

FIG. 6 is a top view thereof;

FIG. 7 is a bottom view thereof; and,

FIG. 8 is a cross-sectional view thereof taken along line 8—8 of FIG. 6.

1 Claim, 8 Drawing Sheets



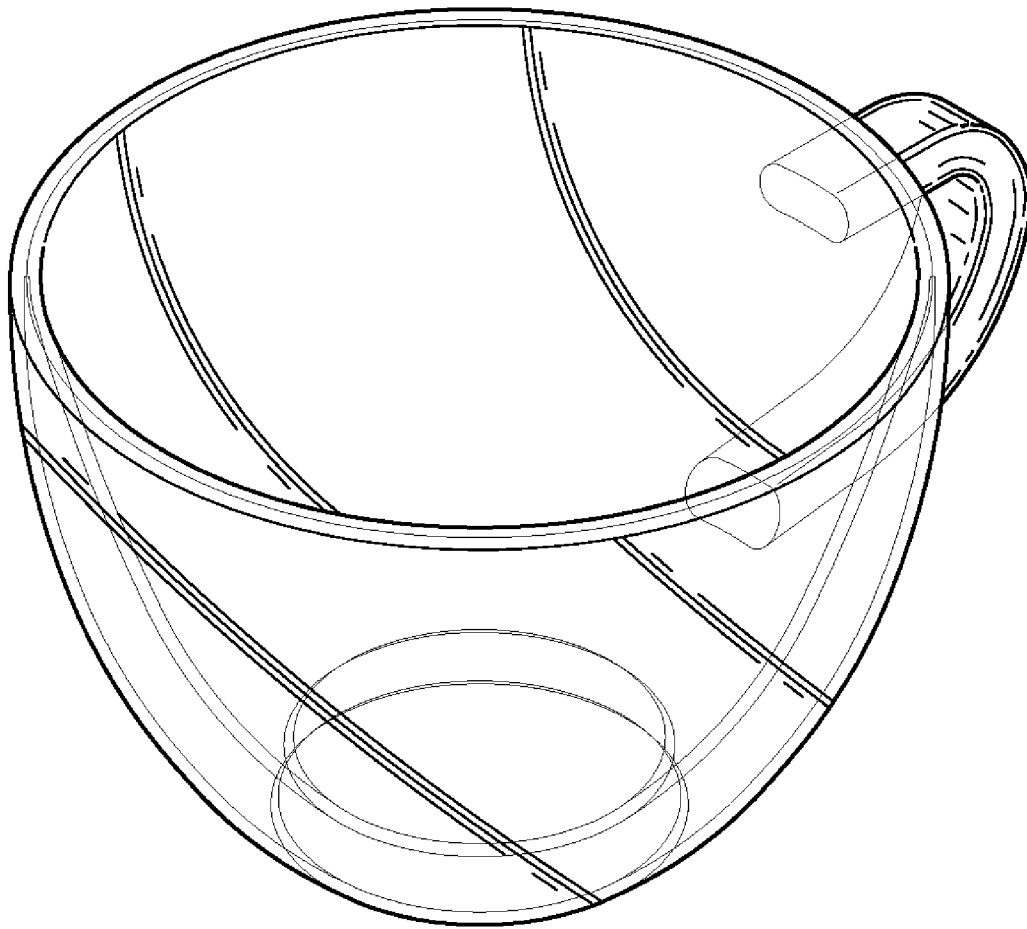


FIG. 1

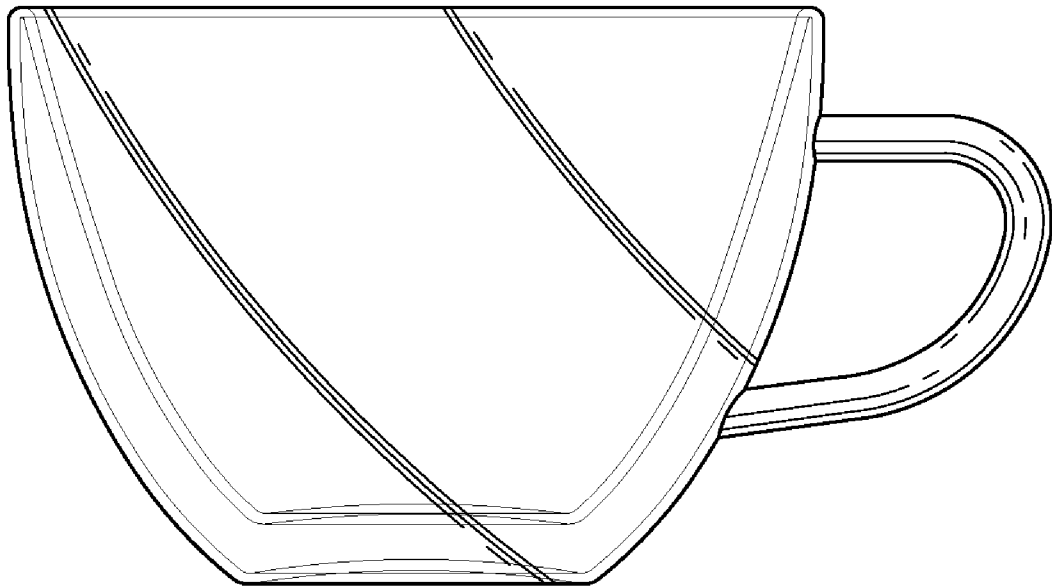


FIG. 2

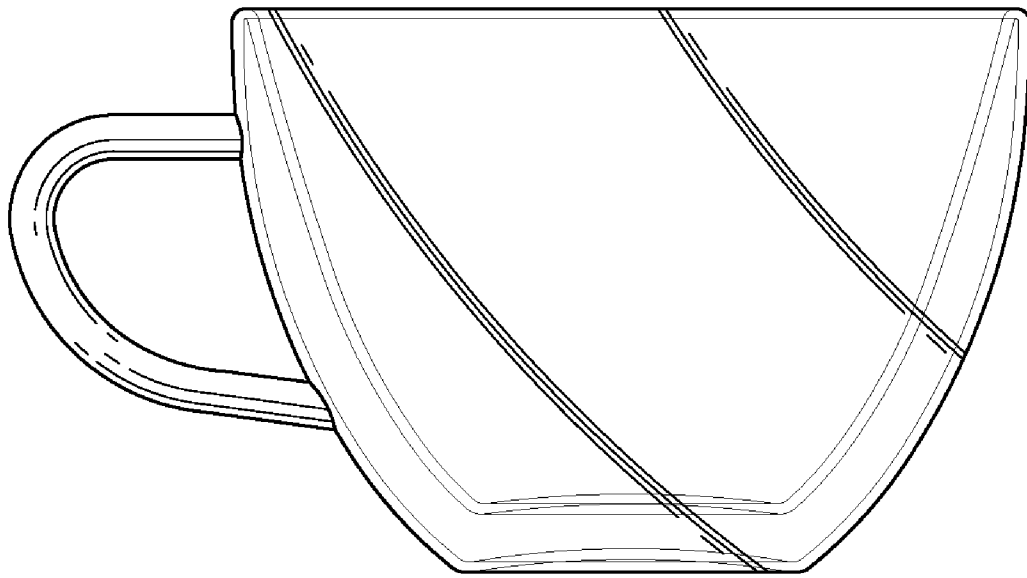


FIG. 3

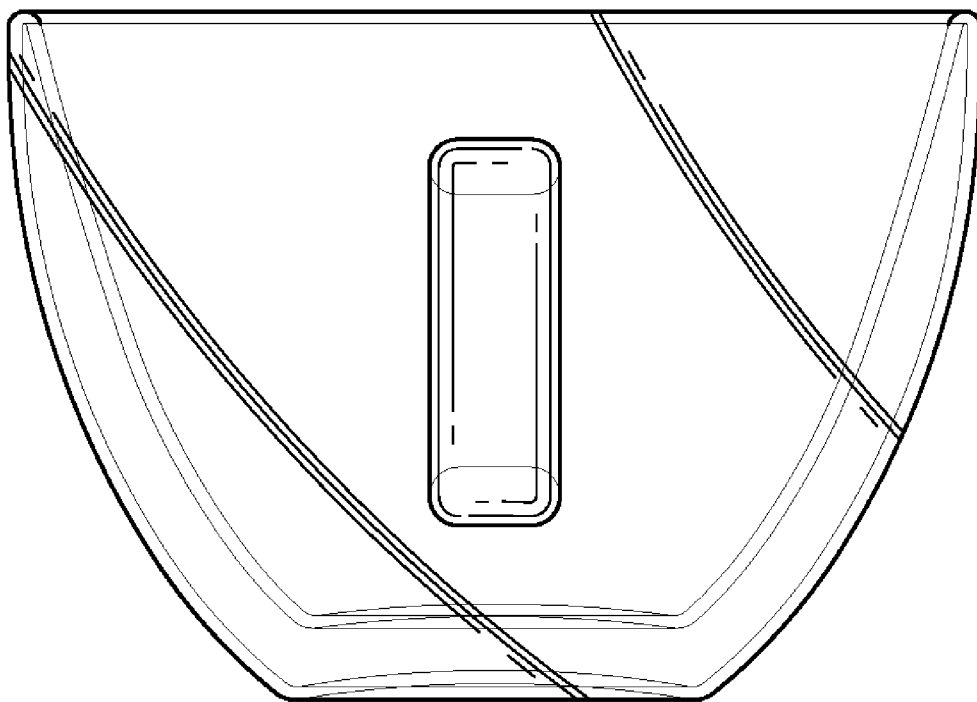


FIG. 4

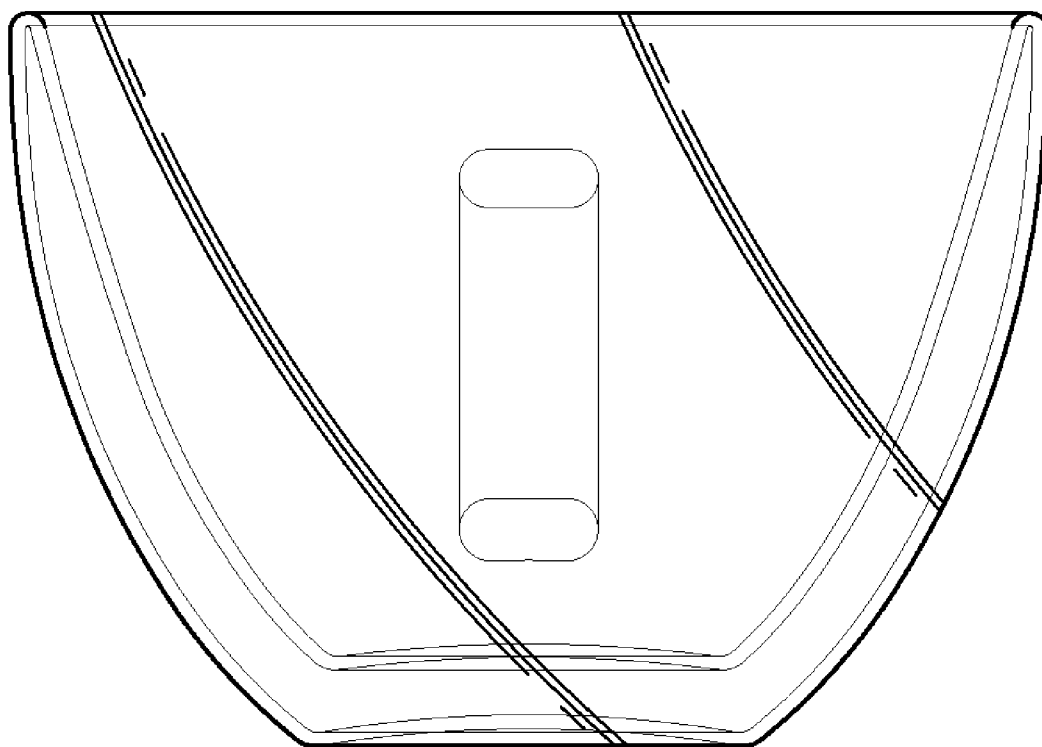


FIG. 5

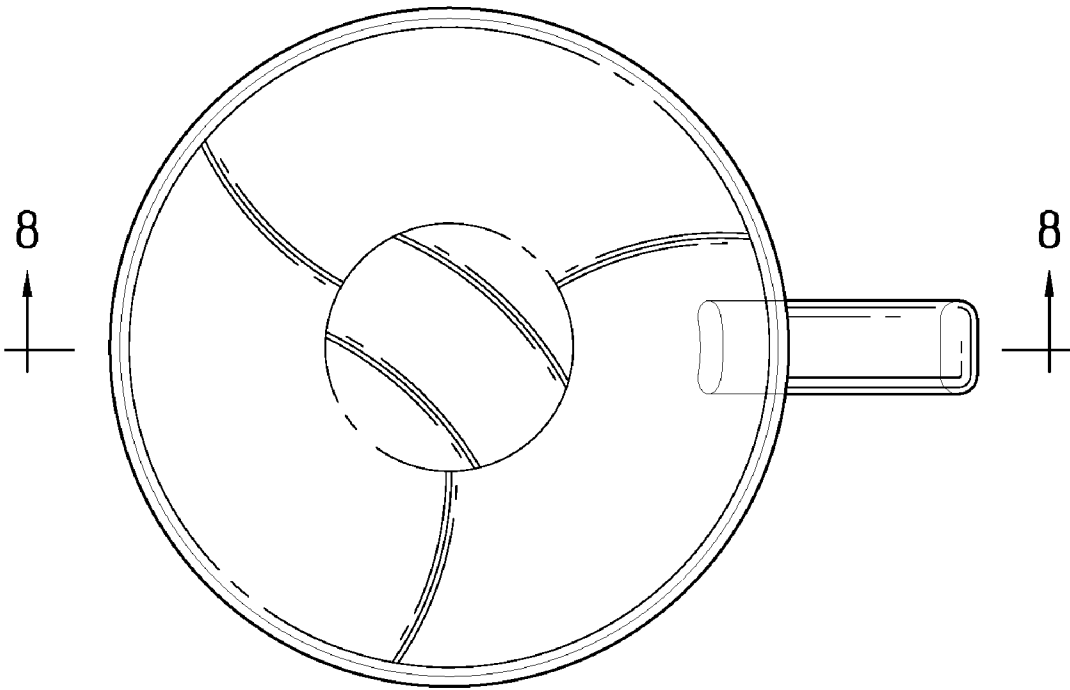


FIG. 6

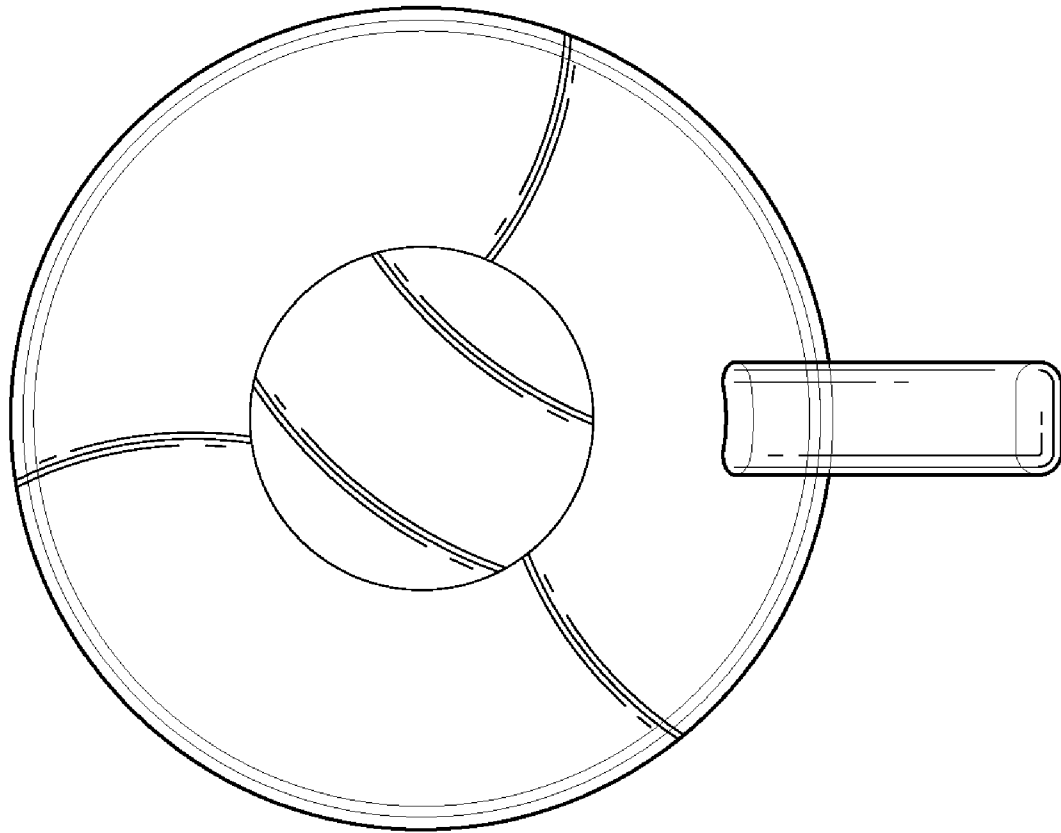


FIG. 7

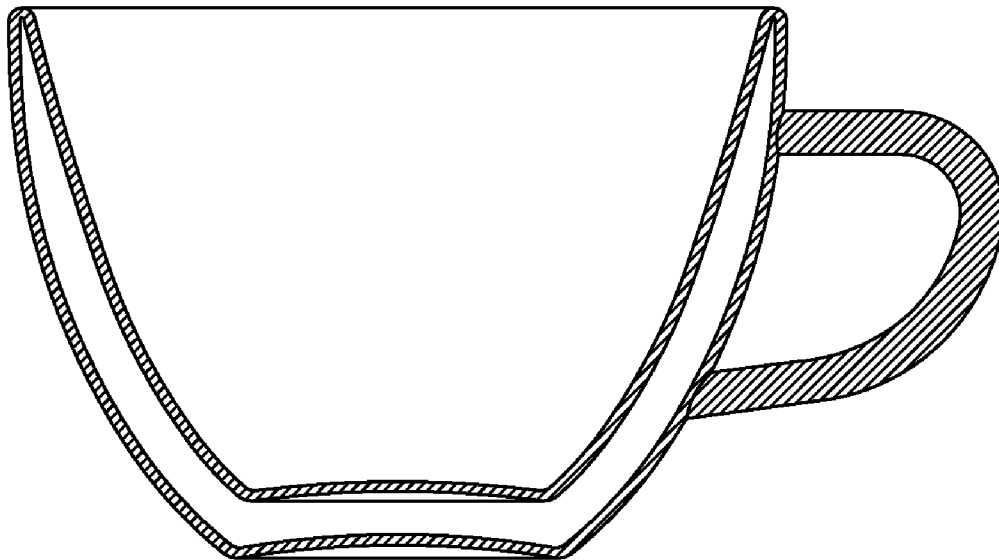


FIG. 8