



US00D879175S

(12) **United States Design Patent**
Matsumoto

(10) **Patent No.:** **US D879,175 S**

(45) **Date of Patent:** **** Mar. 24, 2020**

(54) **CAMERA**

(71) Applicant: **CAR MATE MFG. CO., LTD.**, Tokyo (JP)

(72) Inventor: **Kotaro Matsumoto**, Tokyo (JP)

(73) Assignee: **CAR MATE MFG. CO., LTD.**, Tokyo (JP)

(**) Term: **15 Years**

(21) Appl. No.: **29/675,165**

(22) Filed: **Dec. 28, 2018**

(30) **Foreign Application Priority Data**

Jun. 28, 2018 (JP) 2018-014340

(51) **LOC (12) Cl.** **16-01**

(52) **U.S. Cl.**
USPC **D16/202**

(58) **Field of Classification Search**
USPC D16/200–220, 131, 237, 242, 239, 250,
D16/235, 130, 134, 136, 238;
D14/138 C, 240, 248, 203.1, 203.3, 203.7,
D14/218, 207; D10/104.1, 50, 65, 74,
D10/70, 118.2
CPC . G02B 7/02; G02B 7/021; G02B 7/04; G02B
7/14; G02B 7/003; G03B 17/00; G03B
17/02; G03B 17/56; G03B 17/04; G03B
17/14; G03B 17/08; G03B 15/03; G03B
15/06; H04N 5/2251; H04N 5/2252;
H04N 5/2253; H04N 5/2254; H04N 7/00;
H04N 2101/00; F16M 13/00
See application file for complete search history.

(56) **References Cited**

U.S. PATENT DOCUMENTS

D351,391 S * 10/1994 Martin D14/225
D361,058 S * 8/1995 Domel D13/168
D494,969 S * 8/2004 Lin D14/480.7

D522,506 S * 6/2006 Chen D14/480.1
D542,789 S * 5/2007 Depay D14/435.1
D663,702 S * 7/2012 Naitou D13/168
9,277,103 B1 * 3/2016 Hales H04N 5/2253
D754,138 S * 4/2016 Otsuka D14/480.1
(Continued)

FOREIGN PATENT DOCUMENTS

CN 303605971 * 3/2016
CN 303888696 * 10/2016
(Continued)

OTHER PUBLICATIONS

Car Mate Drive recorder d'Action 360 S DC5000, published 2019 [online], [retrieved Sep. 2, 2019] Available from Internet, URL: <https://global.rakuten.com/en/store/youplan/item/100002629072-5/> <https://razo-usa.com/product/dc5000a-daction-dash-cam/>.*

(Continued)

Primary Examiner — T Chase Nelson
Assistant Examiner — Mary Claire Ramirez
(74) *Attorney, Agent, or Firm* — Oliff PLC

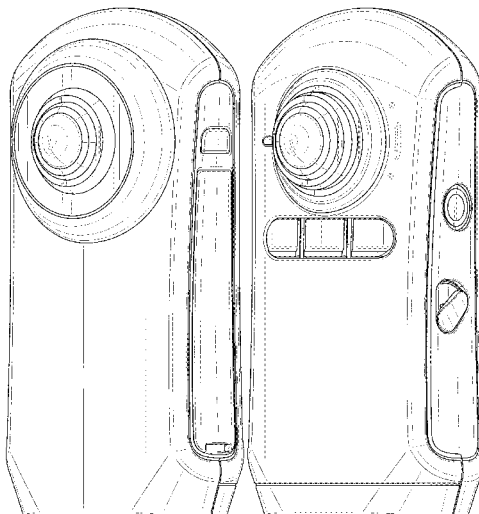
(57) **CLAIM**

The ornamental design for a camera, as shown and described.

DESCRIPTION

FIG. 1 is a front perspective view of a camera showing the new design;
FIG. 2 is a rear perspective view thereof;
FIG. 3 is a front view thereof;
FIG. 4 is a rear view thereof;
FIG. 5 is a left-side view thereof;
FIG. 6 is a right-side view thereof;
FIG. 7 is a top view thereof; and,
FIG. 8 is a bottom view thereof.
The broken lines shown in the drawings depict portions of the camera that form no part of the claimed design.

1 Claim, 8 Drawing Sheets



(56)

References Cited

U.S. PATENT DOCUMENTS

D764,958 S * 8/2016 Scalisi D10/118.2
D800,817 S * 10/2017 Sutton D16/202
D816,752 S * 5/2018 Kim D16/202
D819,109 S * 5/2018 Yamauchi D16/204
D819,112 S * 5/2018 Kim D16/218
D819,718 S * 6/2018 Wu D16/218
D820,898 S * 6/2018 Fujita D16/218
D829,260 S * 9/2018 Fujita D16/218
D829,803 S * 10/2018 Read D16/203
D830,446 S * 10/2018 Muhlenkamp, IV D16/218
D834,634 S * 11/2018 Huang D16/210
D836,695 S * 12/2018 Kawa D16/202
D848,299 S * 5/2019 Li D10/118.2
D848,300 S * 5/2019 Siminoff D10/118.2
D849,107 S * 5/2019 Huang D16/218
D850,512 S * 6/2019 Matsumoto D16/218
D852,256 S * 6/2019 Bai D16/218
D867,426 S * 11/2019 Huang D16/210
D867,427 S * 11/2019 Bai D16/210

FOREIGN PATENT DOCUMENTS

CN 304139527 * 5/2017
CN 304151578 * 5/2017
CN 304168945 * 7/2017
CN 304386969 * 12/2017
EM 003992973-0001 * 5/2017

OTHER PUBLICATIONS

DC5000A d'Action 360S Dash Cam, published Aug. 28, 2019 [online], [retrieved Sep. 2, 2019] Available from Internet, URL: <https://web.archive.org/web/20190828155639/https://razo-usa.com/product/dc5000a-daction-dash-cam/>.^{*}
Daction 360S, published Nov. 22, 2018 [online], [retrieved Sep. 2, 2019] Available from Internet, URL: <https://news.kakaku.com/prdnews/cd=kuruma/ctcd=7034/id=79825/>.^{*}

^{*} cited by examiner

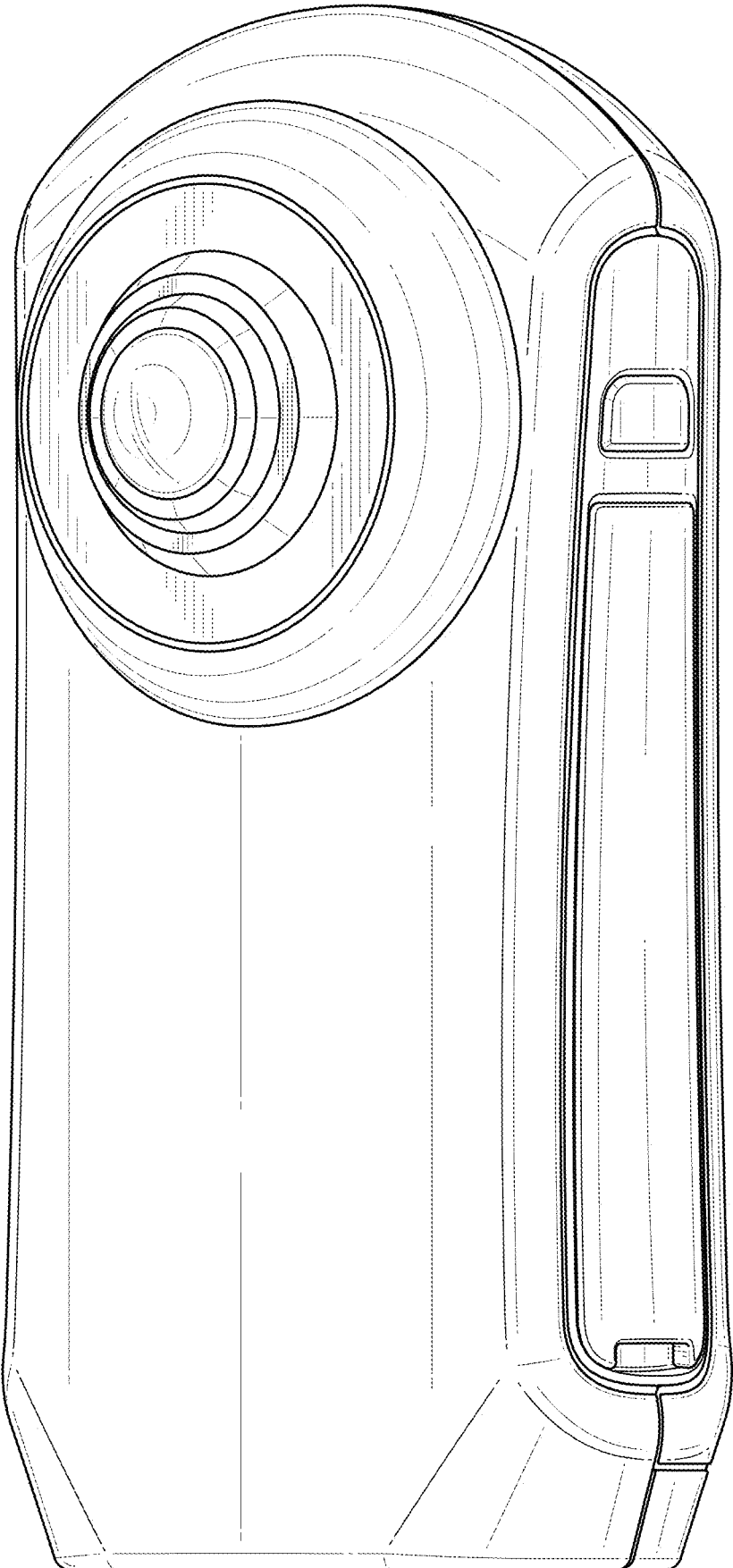


FIG. 1

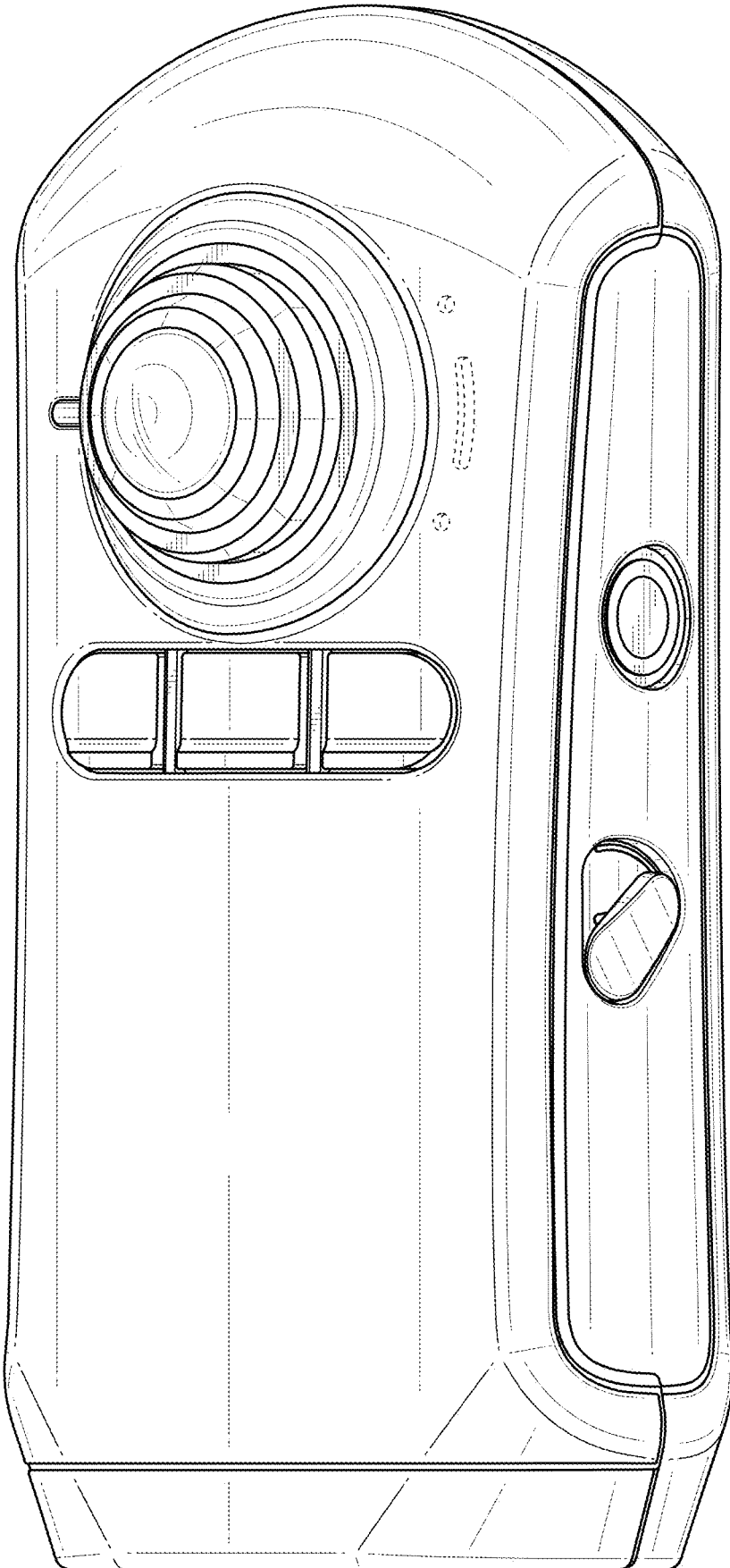


FIG. 2

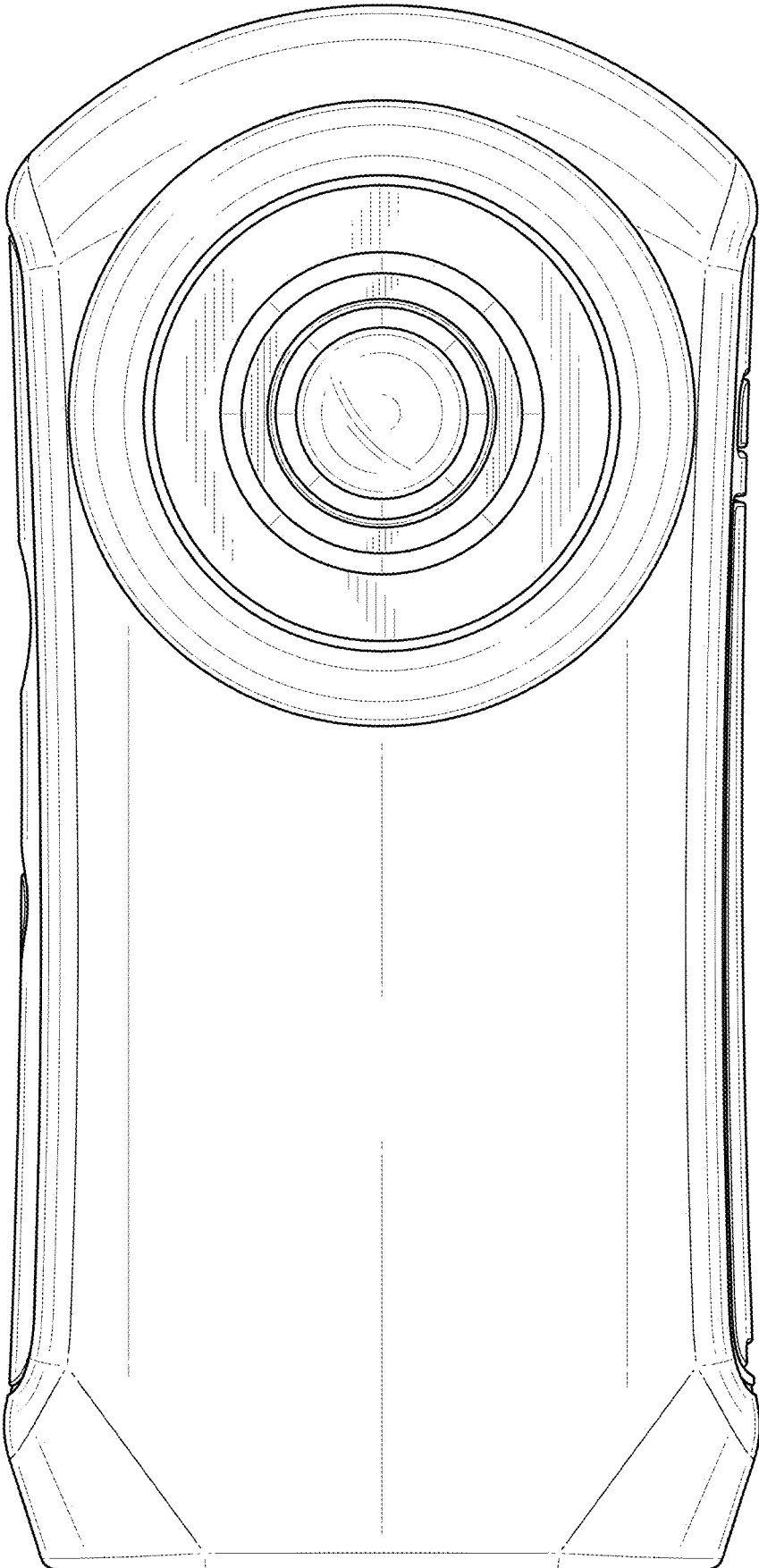


FIG. 3

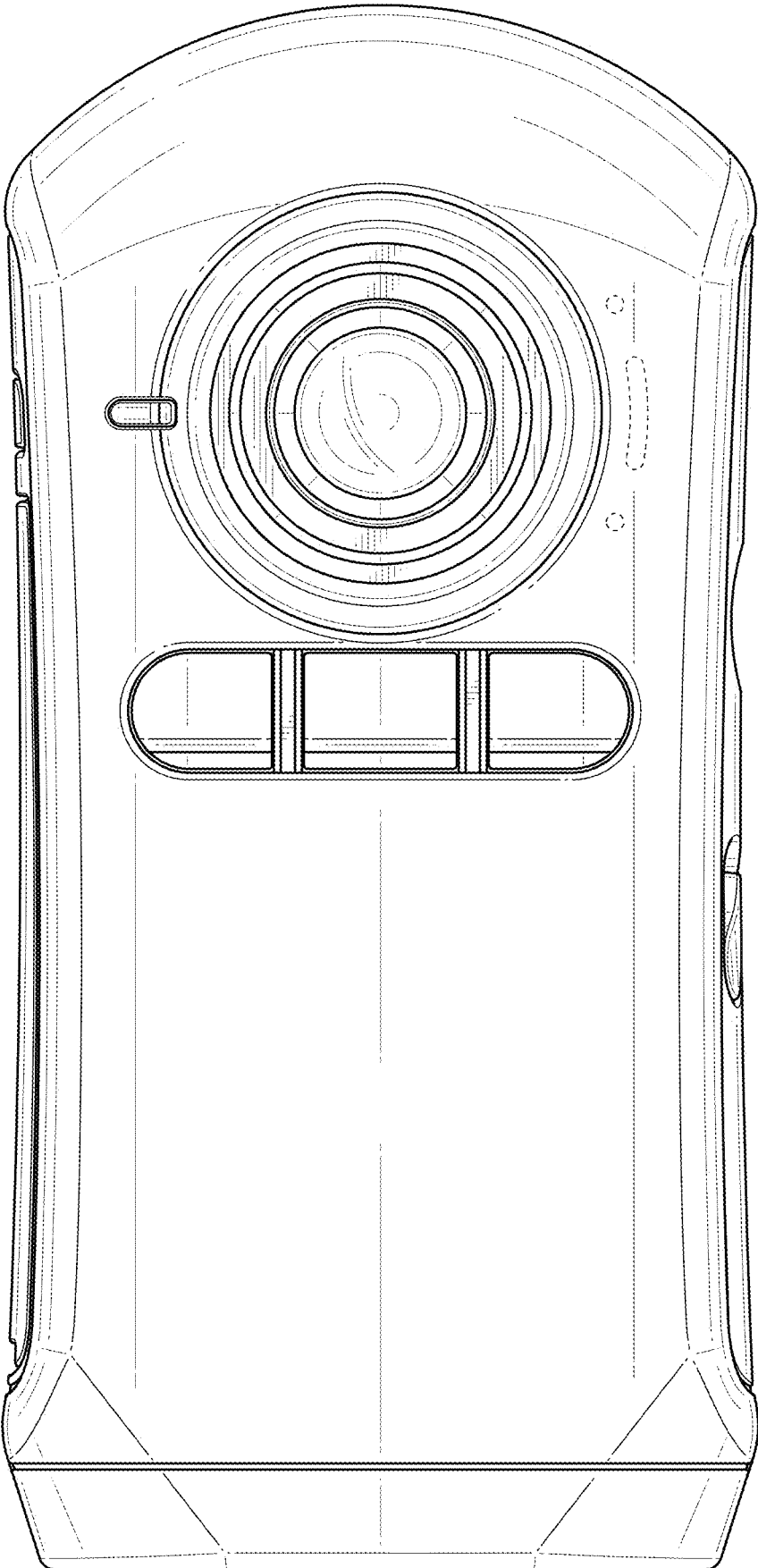


FIG. 4

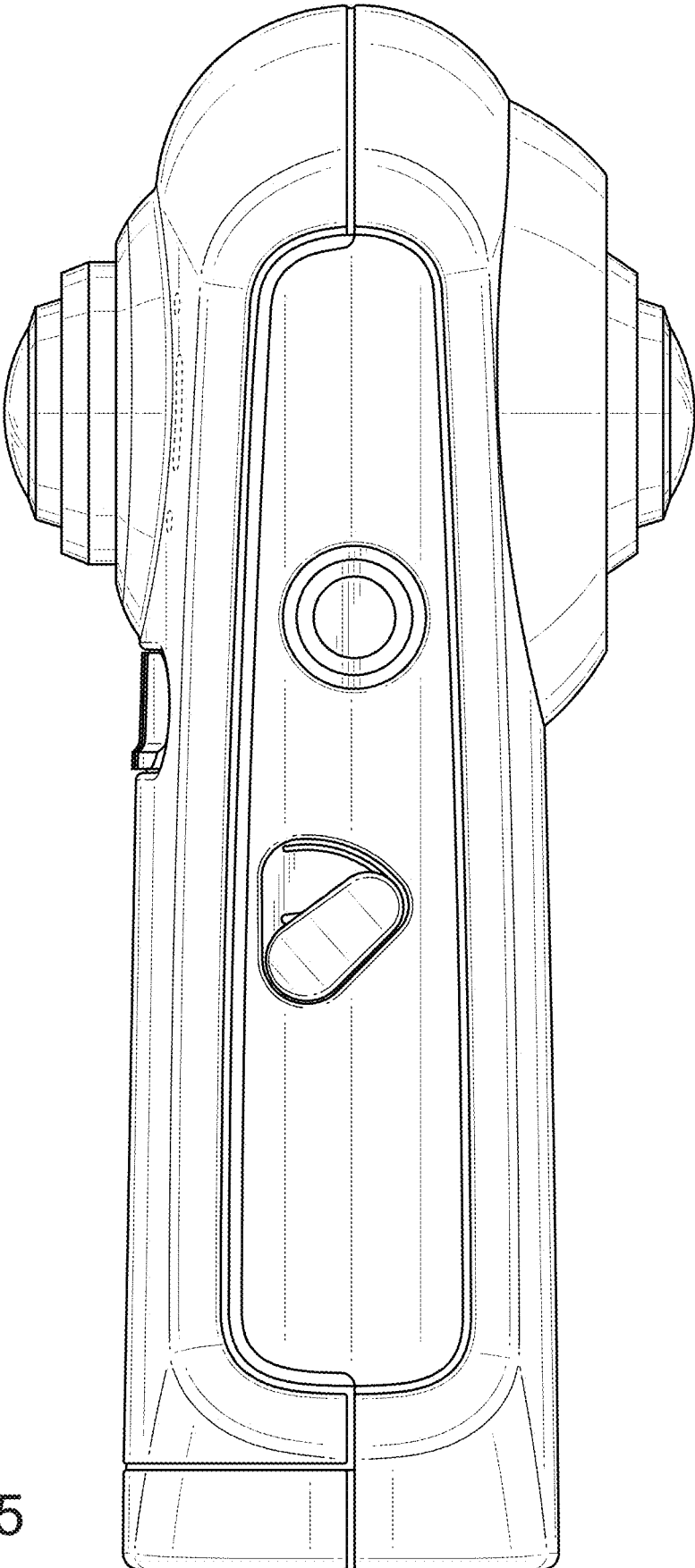


FIG. 5

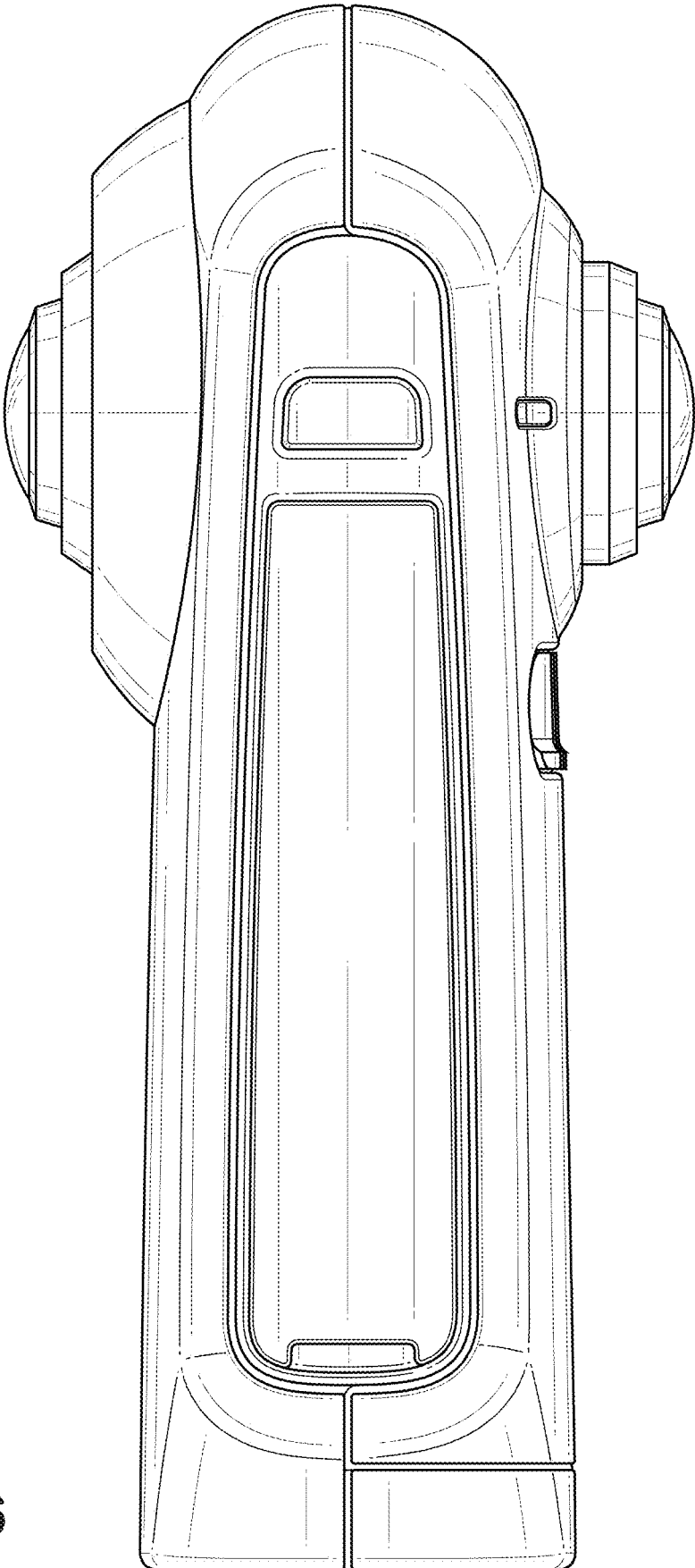


FIG. 6

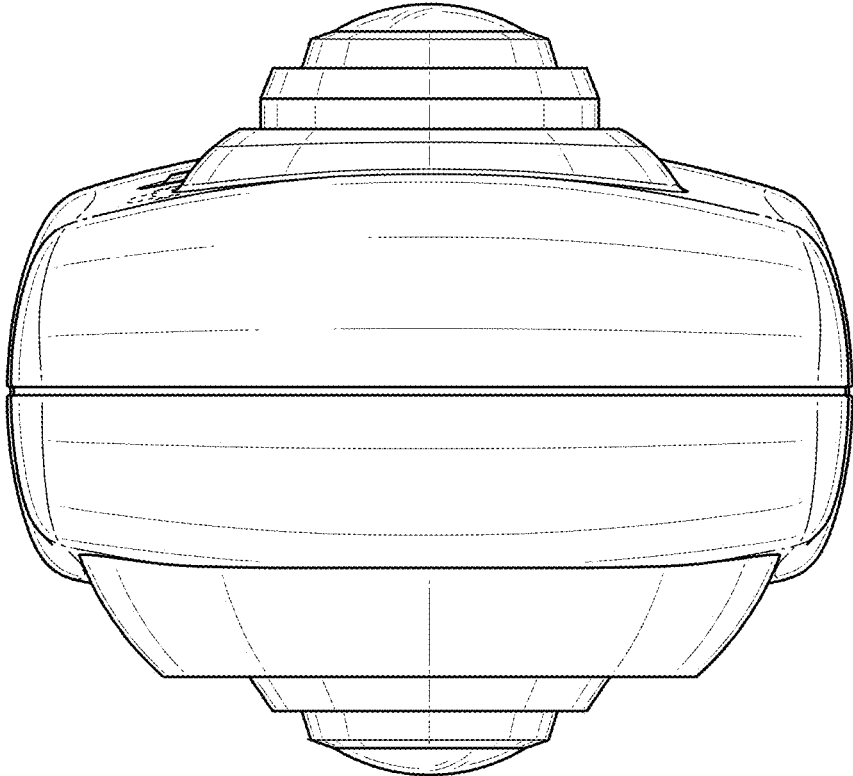


FIG. 7

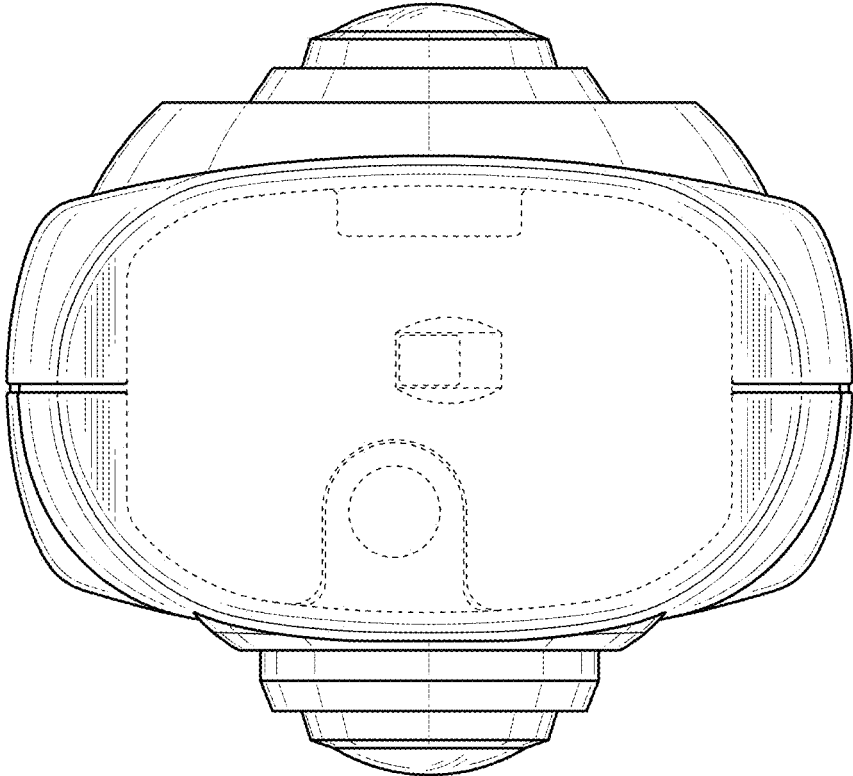


FIG. 8