



US00D745332S

(12) **United States Design Patent**  
**Greenwood**

(10) **Patent No.:** **US D745,332 S**

(45) **Date of Patent:** **\*\* Dec. 15, 2015**

(54) **STORAGE CONTAINER**

(71) Applicant: **Mark Greenwood**, Arlington Heights, IL (US)

(72) Inventor: **Mark Greenwood**, Arlington Heights, IL (US)

(73) Assignee: **Youcopia Products, Inc.**, Chicago, IL (US)

(\*\*) Term: **14 Years**

(21) Appl. No.: **29/481,843**

(22) Filed: **Feb. 11, 2014**

(51) **LOC (10) Cl.** ..... **07-06**

(52) **U.S. Cl.**  
USPC ..... **D7/600.1**

(58) **Field of Classification Search**

USPC ..... D6/315, 317, 319, 329, 673, 675, 675.2, D6/675.3, 675.5, 566, 567, 569-572, 574, D6/672, 682, 682.2, 682.4, 683-683.1, D6/677, 677.1, 672.2, 677.3, 677.5, 680, D6/680.1, 680.2, 680.3, 681, 681.1, 512, D6/513, 545, 547, 553; D19/90-92, 75, D19/78; 220/485, 491, 493, 487, 488, 490, 220/494; 211/11, 126.9, 133.5, 85.4, 41.11, 211/59.2-59.3, 90.03, 85.31, 85.26, 126.5, 211/134, 153, 186-188, 181.1, 74, 75, 60.1, 211/71.01, 13.1; 248/312, 235, 243, 219.1, 248/250, 176.1; 126/332; 312/306, 312, 312/317.1

CPC ..... A47J 43/00; A47B 73/002; A47B 73/00; A47B 73/004; A47B 73/006; A47B 55/02; A47B 43/00; A47B 43/003; A47B 43/04; A47B 46/00; A47B 46/005; A47B 47/00; A47B 47/0008; A47B 47/0025; A47B 47/0058; A47B 47/0075; A47B 47/0083; A47B 47/02; A47B 47/021; A47B 47/03; A47B 47/04; A47B 55/00; A47B 57/00; A47B 67/00; A47B 67/02; A47B 71/00; A47B 75/00; A47B 77/00; A47B 77/02; A47B 77/16; A47B 2210/17; A47B 88/0411; B65D 21/0211; A47F 5/00; A47F 5/0018; A47F 5/0043; A47F 5/005; A47F 5/0056;

A47F 5/0062; A47F 5/0081; A47F 5/01; A47F 7/00; A47F 7/0007; A47F 7/0042; A47F 7/0057; A47F 7/0064; A47F 7/0071; A47F 5/0807; A47F 5/0876; A47F 5/0006; A47F 5/0012; A47F 5/04; A47F 5/05; A47F 5/06; A47F 1/00; A47F 1/04; A47F 3/00; F16M 11/38; A47L 15/50

See application file for complete search history.

(56) **References Cited**

U.S. PATENT DOCUMENTS

743,859 A \* 11/1903 Goldsmith ..... 206/564  
D93,082 S \* 8/1934 Wright ..... D6/473  
2,950,012 A \* 8/1960 Mascaretti ..... 211/65  
3,246,413 A \* 4/1966 Cockrell ..... 40/618  
3,480,178 A \* 11/1969 Morgan ..... 206/506

(Continued)

*Primary Examiner* — Ian Simmons

*Assistant Examiner* — Shannon Morgan

(74) *Attorney, Agent, or Firm* — Knechtel, Demeur & Samlan

(57) **CLAIM**

I claim the ornamental design for a storage container, as shown and described.

**DESCRIPTION**

FIG. 1 is a perspective view of a storage container showing the new design.

FIG. 2 is a top plan view thereof.

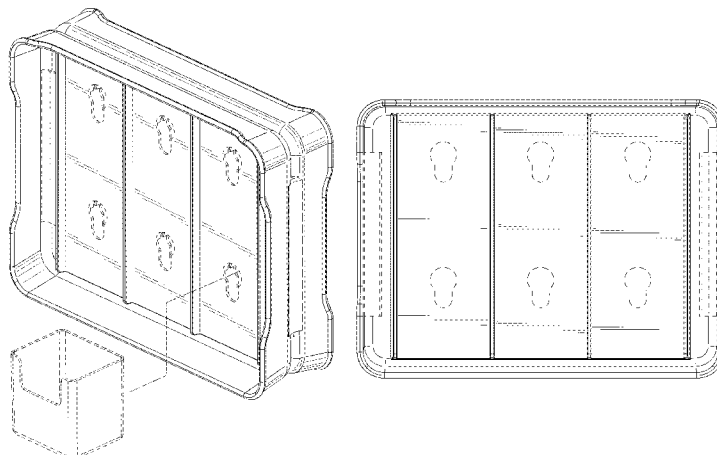
FIG. 3 is a front side elevational view thereof; the rear side elevational view being identical to the front side elevational view.

FIG. 4 is a bottom plan view thereof; and,

FIG. 5 is a left side elevational view thereof; the right side elevational view being identical to the left side elevational view.

The broken lines shown in FIGS. 1, 3, and 5 represent portions of the storage container that form no part of the claimed design.

**1 Claim, 3 Drawing Sheets**



(56)

**References Cited**

U.S. PATENT DOCUMENTS

3,517,852 A \* 6/1970 Schoeller ..... 220/518  
 3,762,594 A \* 10/1973 Utz ..... 220/516  
 5,147,039 A \* 9/1992 Sechler et al. .... 206/386  
 D333,392 S \* 2/1993 Cugley ..... D6/683.1  
 D335,594 S \* 5/1993 Muniz ..... D3/313  
 D362,135 S \* 9/1995 Wilson et al. .... D6/672  
 5,685,452 A \* 11/1997 Kristoffersson ..... 220/608  
 D437,719 S \* 2/2001 Dicellis ..... D6/571  
 6,550,168 B1 \* 4/2003 Campos ..... 40/406  
 D526,512 S \* 8/2006 Hahn ..... D6/683.1

D533,414 S \* 12/2006 Claypool et al. .... D7/701  
 D606,348 S \* 12/2009 White et al. .... D6/553  
 D631,607 S \* 1/2011 Hall ..... D28/73  
 D657,589 S \* 4/2012 Watson ..... D6/678.4  
 D700,435 S \* 3/2014 Gold ..... D3/307  
 D711,172 S \* 8/2014 Voron et al. .... D6/675.4  
 D715,072 S \* 10/2014 Simonetti ..... D6/571  
 2006/0086679 A1 \* 4/2006 Simpson et al. .... 211/59.2  
 2007/0184339 A1 \* 8/2007 Scheucher ..... 429/99  
 2008/0190872 A1 \* 8/2008 Scollon et al. .... 211/59.4  
 2012/0248948 A1 \* 10/2012 Dantus et al. .... 312/111  
 2014/0110362 A1 \* 4/2014 Ammon ..... 211/41.8  
 2015/0114917 A1 \* 4/2015 Ammon ..... 211/41.8

\* cited by examiner

Fig. 1

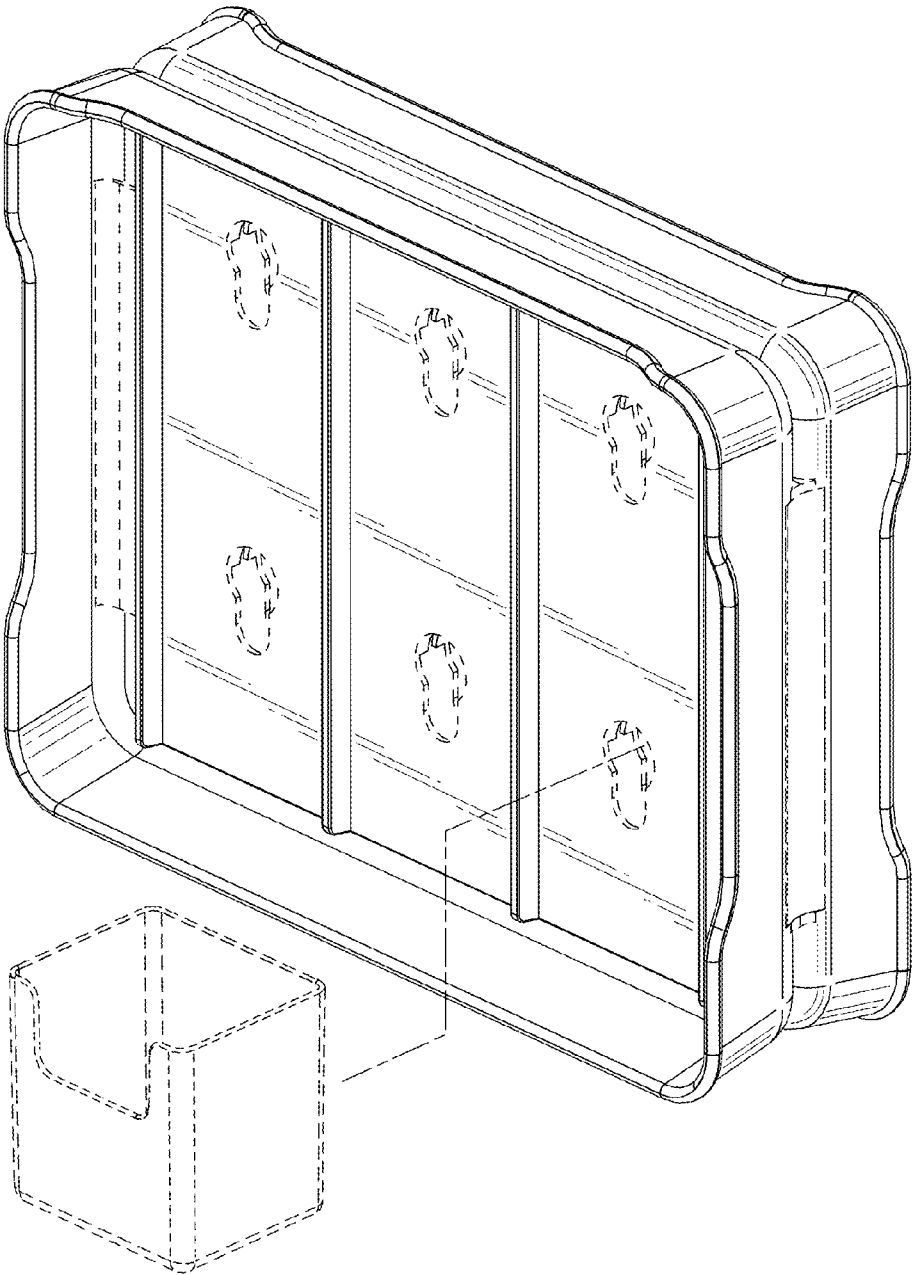


Fig. 2

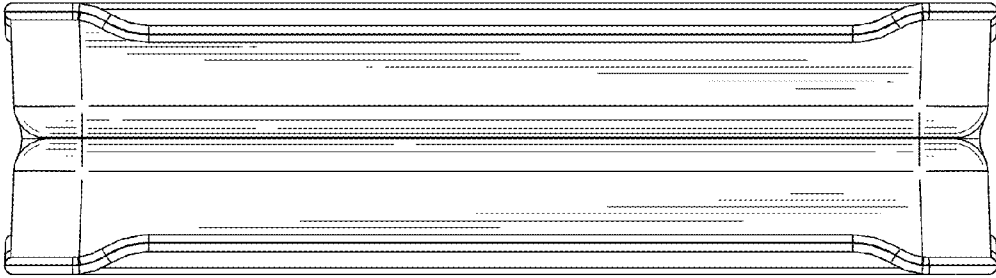


Fig. 3

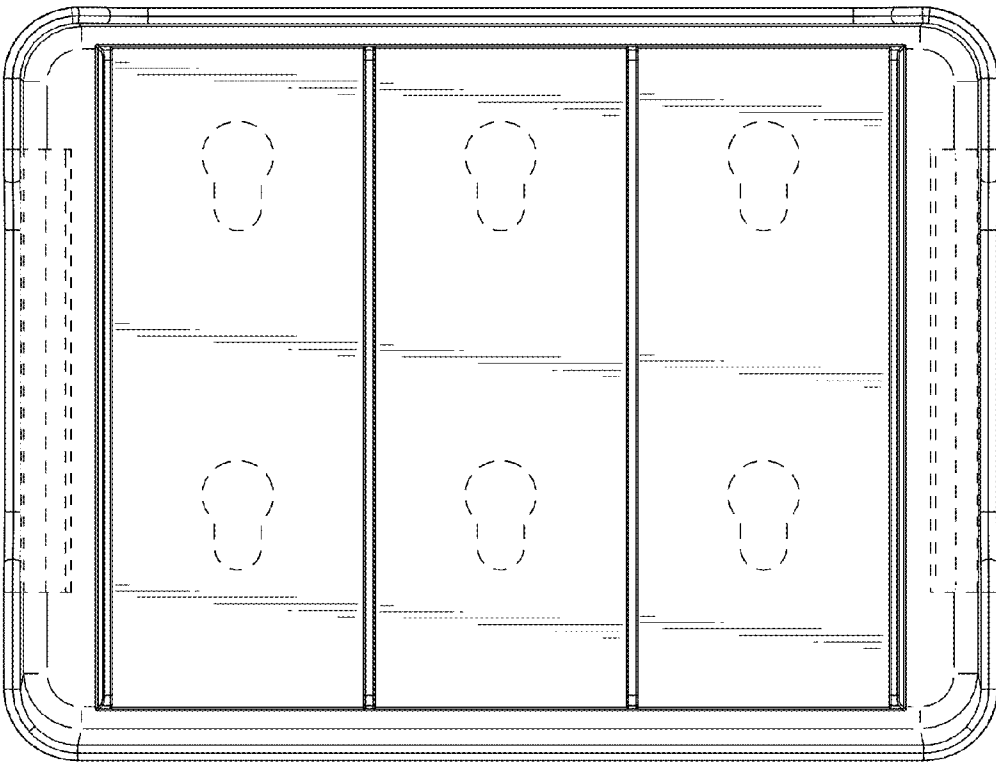


Fig. 4

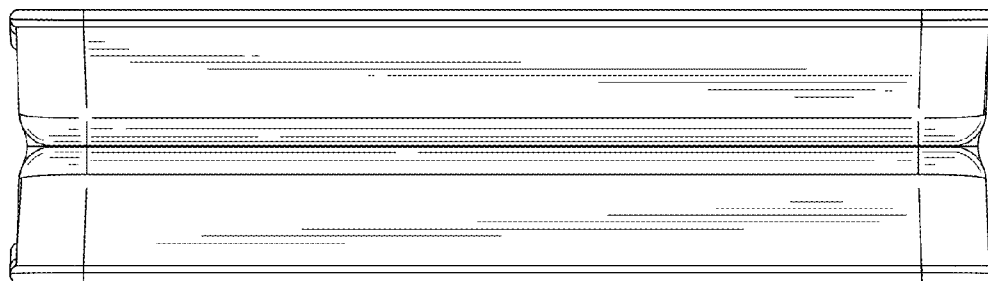


Fig. 5

