



US00D828729S

(12) **United States Design Patent**
Kent

(10) **Patent No.:** **US D828,729 S**

(45) **Date of Patent:** **** Sep. 18, 2018**

(54) **HERB KEEPER WITH LIFTING INSERT**

(71) Applicant: **Progressive International Corporation, Kent, WA (US)**

(72) Inventor: **Joseph Kent, Seattle, WA (US)**

(73) Assignee: **PROGRESSIVE INTERNATIONAL CORPORATION, Kent, WA (US)**

(**) Term: **15 Years**

(21) Appl. No.: **29/597,410**

(22) Filed: **Mar. 16, 2017**

(51) **LOC (11) Cl.** **09-07**

(52) **U.S. Cl.**
USPC **D7/630**

(58) **Field of Classification Search**
USPC D7/629, 630, 601, 602, 538-542, 612,
D7/608, 300, 312, 316; D9/424-432,
D9/445, 500, 501, 503, 504, 516, 549,
D9/575; D23/209
CPC B65D 85/50; B65D 85/505; B65D 85/52;
A47J 47/01; A47J 42/14; A47J 42/34;
A47J 42/50
See application file for complete search history.

(56) **References Cited**

U.S. PATENT DOCUMENTS

2,941,660	A *	6/1960	Tupper	B65D 43/0268
					220/270
3,011,676	A *	12/1961	Fulmer	C08L 63/00
					220/614
3,044,610	A *	7/1962	Tupper	B65D 43/0268
					220/270
3,122,256	A *	2/1964	Orr	B65D 1/10
					215/329
3,257,025	A *	6/1966	Jolly	B65D 81/3876
					220/739
D257,314	S *	10/1980	Robison	D7/608

D278,674	S *	5/1985	Tardif	D7/629
D328,014	S *	7/1992	DeCoster	D7/629
6,283,013	B1 *	9/2001	Romandy	A47J 31/0636
					99/319
D466,809	S *	12/2002	Sagel	D9/428
D467,131	S *	12/2002	Wright	D7/615
D558,528	S *	1/2008	Hauser	D7/601
D560,091	S *	1/2008	Bodum	D7/312
D592,529	S *	5/2009	Friebe	D9/772
D598,234	S *	8/2009	Bodum	D7/317

(Continued)

Primary Examiner — Shannon W Morgan

(74) *Attorney, Agent, or Firm* — Lowe Graham Jones PLLC

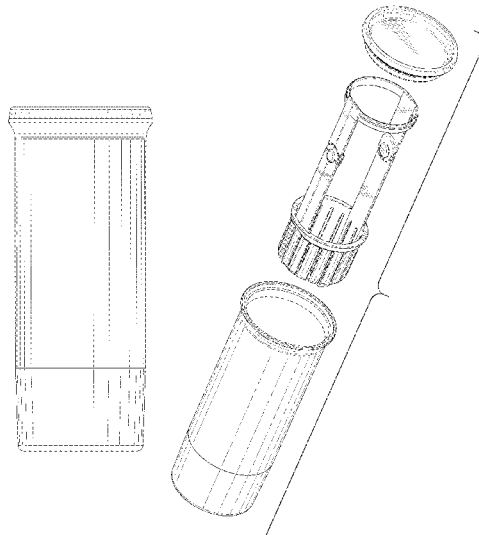
(57) **CLAIM**

I claim the ornamental design for an herb keeper with lifting insert, as shown and described.

DESCRIPTION

FIG. 1 is a front elevational view of an herb keeper with lifting insert showing my new design, the rear, left, and right side elevational views being identical thereof;
 FIG. 2 is a top plan view thereof;
 FIG. 3 is a bottom plan view thereof;
 FIG. 4 is a front elevational view of the herb keeper with lifting insert shown in FIG. 1 with the outer, lid and base of the herb keeper with lifting insert removed for ease of illustration;
 FIG. 5 is a left side elevational view thereof; the right side elevational view being an identical mirror image thereof;
 FIG. 6 is a top plan view thereof;
 FIG. 7 is a bottom plan view thereof;
 FIG. 8 is a bottom perspective view thereof; and,
 FIG. 9 is an exploded perspective view of the herb keeper with lifting insert shown in FIG. 1 thereof.
 The broken lines shown in the figures depict portions of the herb keeper with lifting insert that form no part of the claimed design.

1 Claim, 7 Drawing Sheets



(56)

References Cited

U.S. PATENT DOCUMENTS

D623,475	S *	9/2010	Aarnoudse	D7/510
D635,413	S *	4/2011	Griffin	D7/693
D689,347	S *	9/2013	Hainbach	D7/693
D719,829	S *	12/2014	Ferber	D9/503
D731,865	S *	6/2015	Griffin	D7/372
D755,019	S *	5/2016	Kent	D7/630
9,505,009	B1 *	11/2016	Wein	B02C 18/186
RE46,408	E *	5/2017	Hainbach	
D793,818	S *	8/2017	deBretton Gordon	D7/612
D799,257	S *	10/2017	Melzer	D7/317
2003/0127350	A1 *	7/2003	Wright	B65D 85/50 206/423
2011/0204067	A1 *	8/2011	Schneider	B29C 49/541 220/606
2012/0097774	A1 *	4/2012	Hainbach	A47J 42/14 241/101.2
2014/0182139	A1 *	7/2014	Vesterlund	A47J 47/01 30/124
2015/0257599	A1 *	9/2015	Ng	A47J 42/34 426/518
2016/0130697	A1 *	5/2016	Bobrov	C23C 16/0209 206/524.3
2017/0233140	A1 *	8/2017	McMunn	B65D 25/14 220/228

* cited by examiner

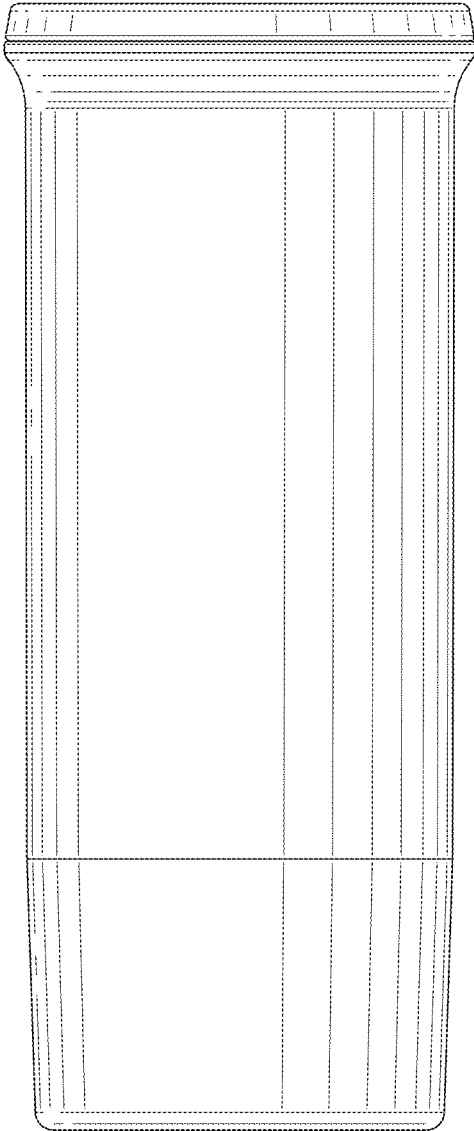


FIG. 1

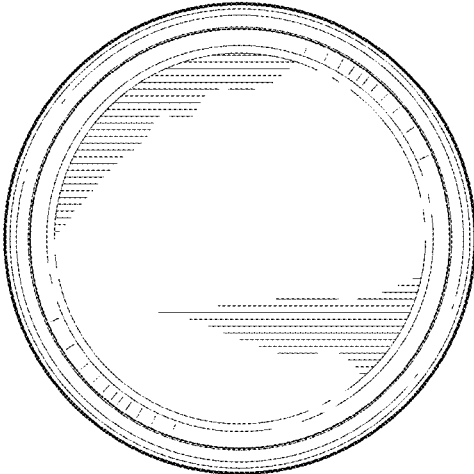


FIG. 2

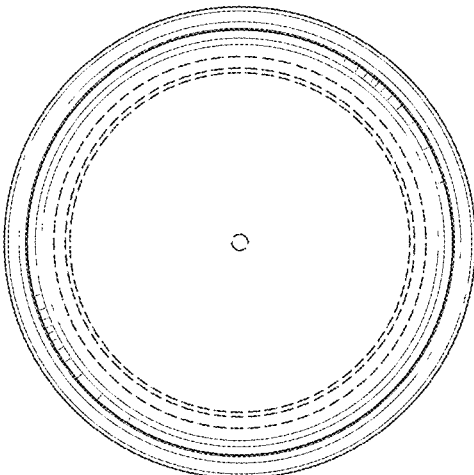


FIG. 3

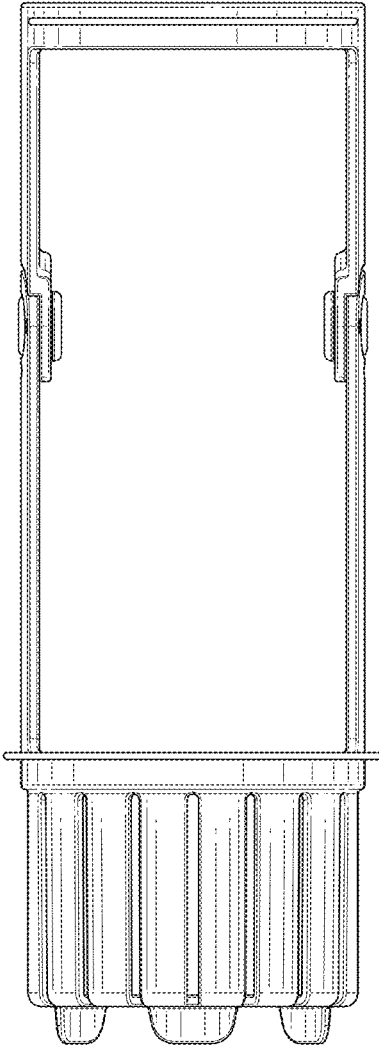


FIG.4

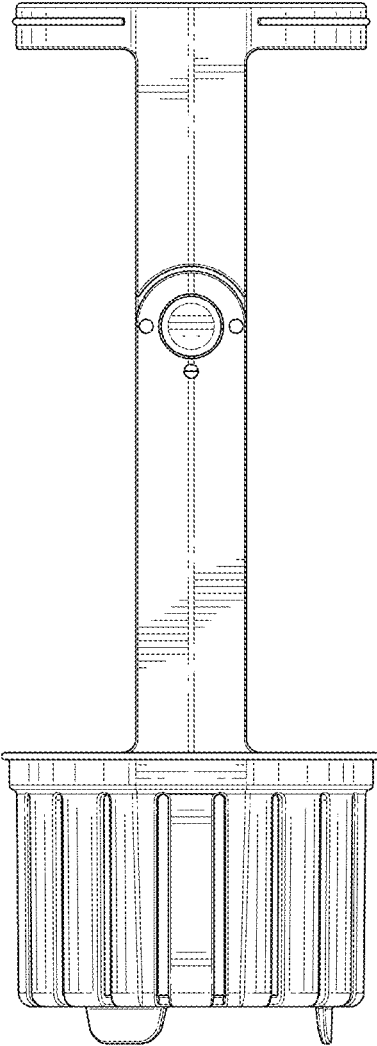


FIG.5

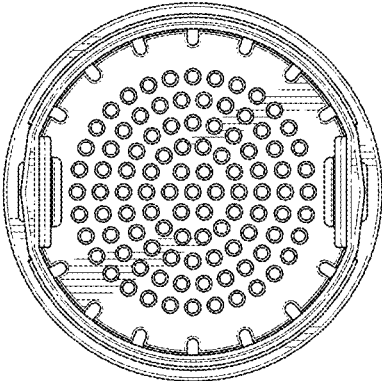


FIG. 6

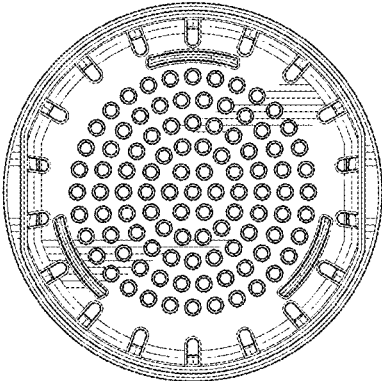


FIG. 7

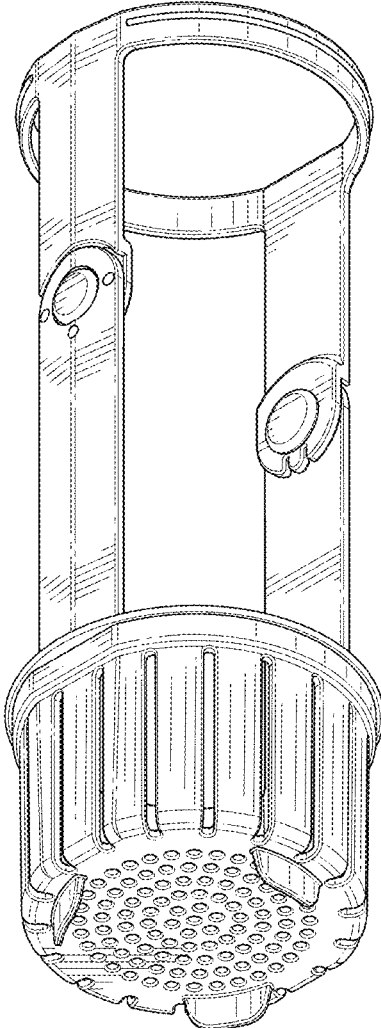


FIG.8

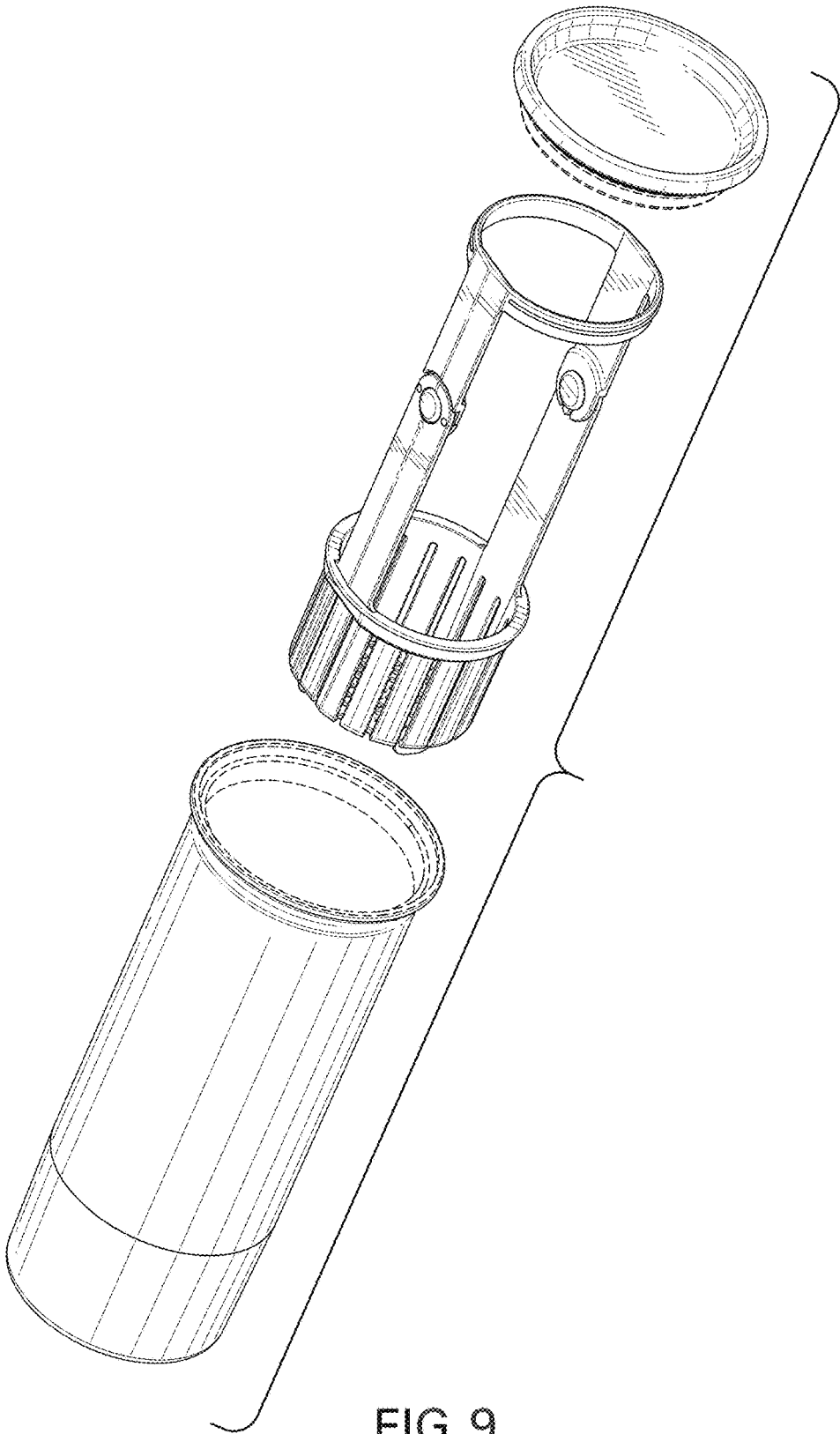


FIG.9