



US00D727568S

(12) **United States Design Patent**
Francois

(10) **Patent No.:** **US D727,568 S**

(45) **Date of Patent:** **** Apr. 21, 2015**

(54) **HAIR HEATING TOOL**

(71) Applicant: **Francette Francois**, Salisbury, MD (US)

(72) Inventor: **Francette Francois**, Salisbury, MD (US)

(**) Term: **14 Years**

(21) Appl. No.: **29/464,294**

(22) Filed: **Aug. 15, 2013**

(51) **LOC (10) Cl.** **28-03**

(52) **U.S. Cl.**

USPC **D28/10**

(58) **Field of Classification Search**

CPC A45D 1/00-1/28; A45D 2/00-2/002

USPC 219/222-226; D28/13, 15, 35-38

See application file for complete search history.

(56) **References Cited**

U.S. PATENT DOCUMENTS

D512,180	S	*	11/2005	Maletti	D28/35
D536,828	S	*	2/2007	Chin	D28/35
2004/0251245	A1	*	12/2004	Oh	219/225
2010/0224206	A1	*	9/2010	Serresvives et al.	132/212
2011/0079238	A1	*	4/2011	Takehana	132/269

FOREIGN PATENT DOCUMENTS

EP 1472951 A1 * 11/2004 A45D 1/10

* cited by examiner

Primary Examiner — Jennifer Rivard

(74) *Attorney, Agent, or Firm* — Gulf Coast Intellectual Property Group

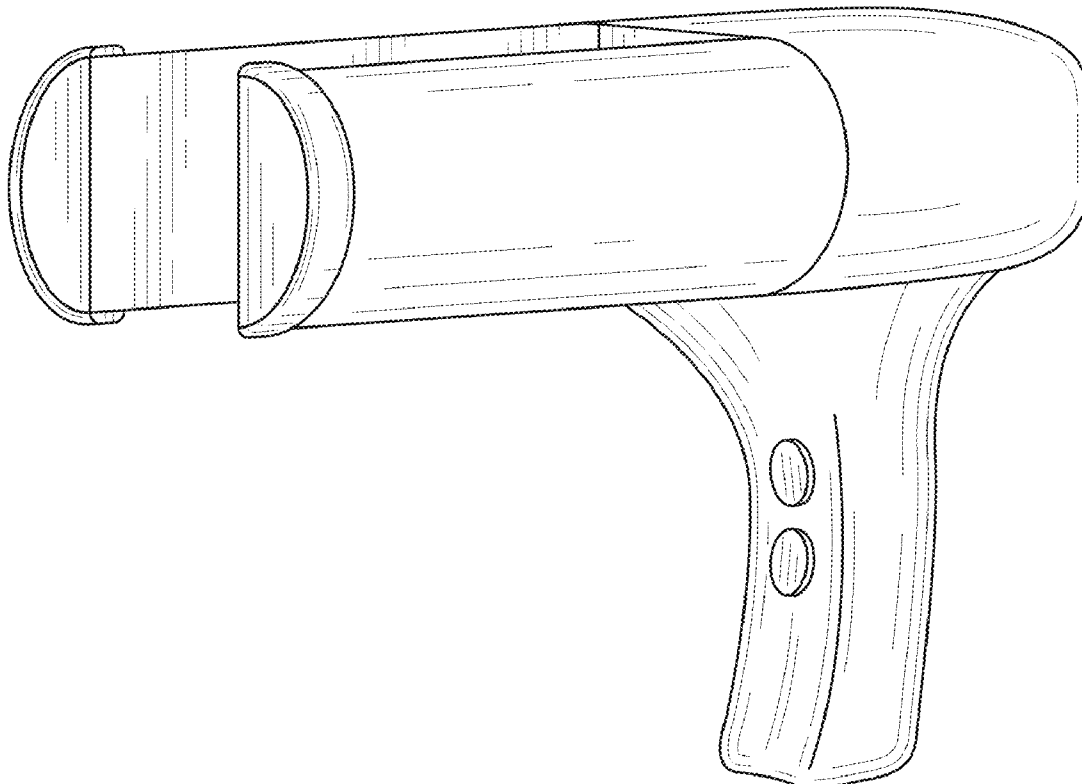
(57) **CLAIM**

The ornamental design for a hair heating tool, as shown and described.

DESCRIPTION

FIG. 1 is a perspective view of the present invention with the heating elements in the open position; and FIG. 2 is a front view of the present invention with the heating elements in the open position; and FIG. 3 is a rear view of the present invention; and FIG. 4 is a left side view of the present invention; and FIG. 5 is a right side view of the present invention; and, FIG. 6 is a top view of the present invention with the heating elements in the open position.

1 Claim, 3 Drawing Sheets



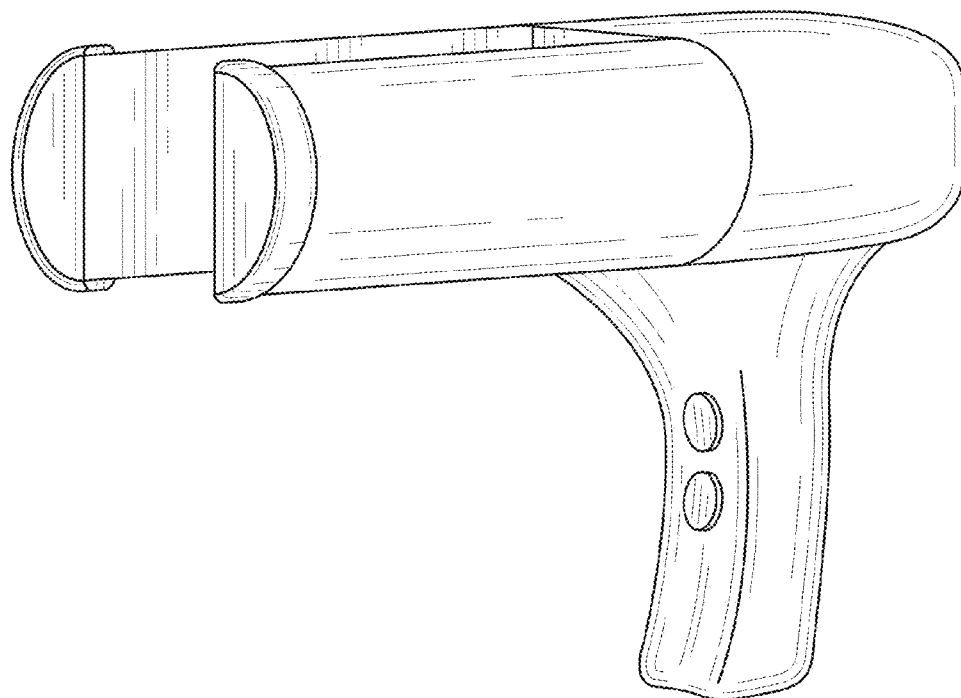


FIG. 1

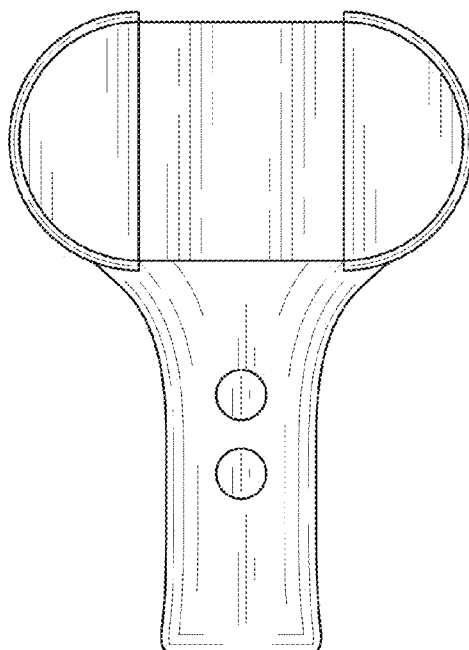


FIG. 2

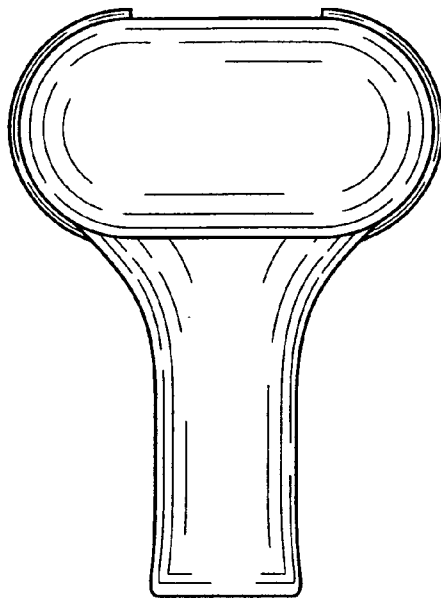


FIG. 3

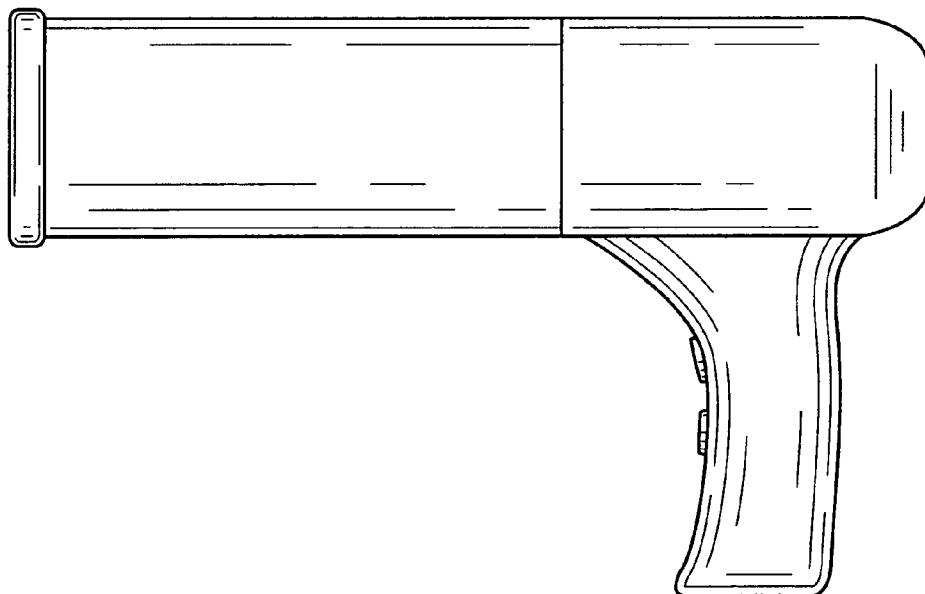


FIG. 4

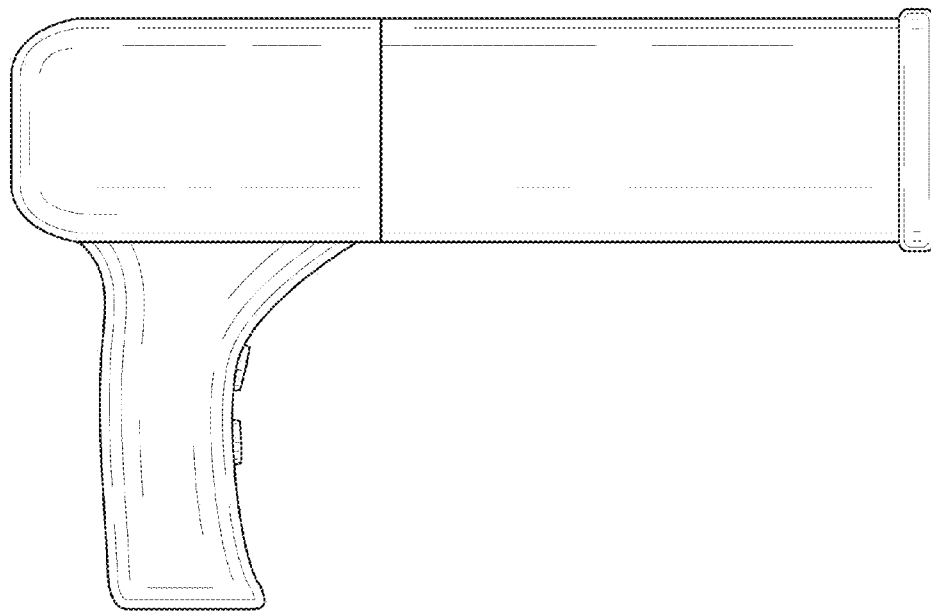


FIG. 5

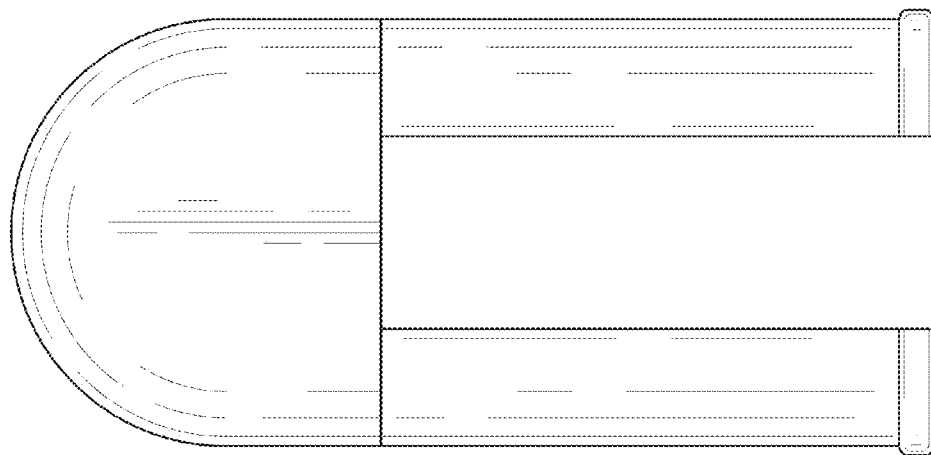


FIG. 6