

[54] **FOOD TRAY TEMPERATURE MAINTENANCE STATION**

[75] Inventors: **George K. Shumrak**, Natick; **Anthony Mack**, North Reading, both of Mass.

[73] Assignee: **Sweetheart Plastics, Inc.**, Wilmington, Mass.

[**] Term: **14 Years**

[21] Appl. No.: **619,624**

[22] Filed: **Oct. 6, 1975**

[51] Int. Cl. **D15-08**

[52] U.S. Cl. **D15/104**

[58] Field of Search **D55/1 E; D7/126, 128; 312/236 R, 214; 219/385, 387, 391-398, 402-406**

[56] **References Cited**

U.S. PATENT DOCUMENTS

3,275,393	9/1966	Stentz et al.	219/386 X
3,610,225	10/1971	Schwantes	126/9 R X
3,714,394	1/1973	Evans	219/386
3,924,100	12/1975	Mack et al.	219/386

Primary Examiner—Wallace R. Burke
Assistant Examiner—Catherine Kemper
Attorney, Agent, or Firm—George L. Greenfield

[57] **CLAIM**

The ornamental design for a food tray temperature maintenance station, as shown and described.

DESCRIPTION

FIG. 1 is an isometric view of a food tray temperature maintenance station showing our new design; FIG. 2 is a front elevational view thereof; FIG. 3 is a bottom plan view thereof; FIG. 4 is a rear elevational view thereof. The left side of the device is a mirror image of the side disclosed in FIG. 1.

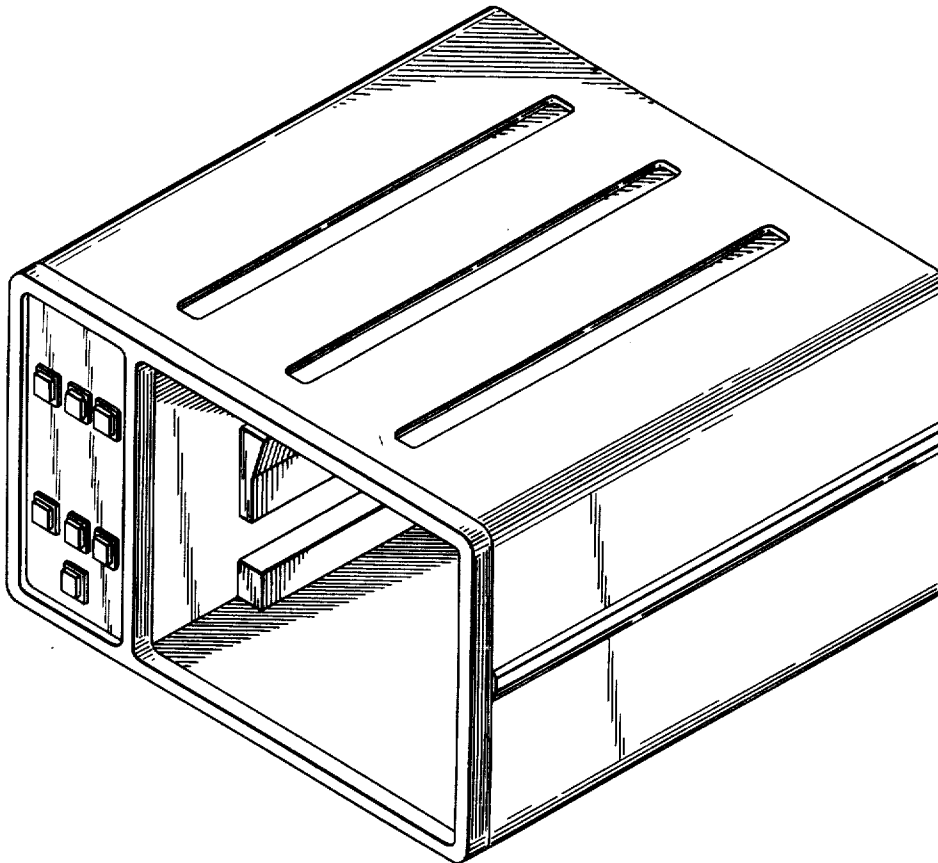


FIG. 1

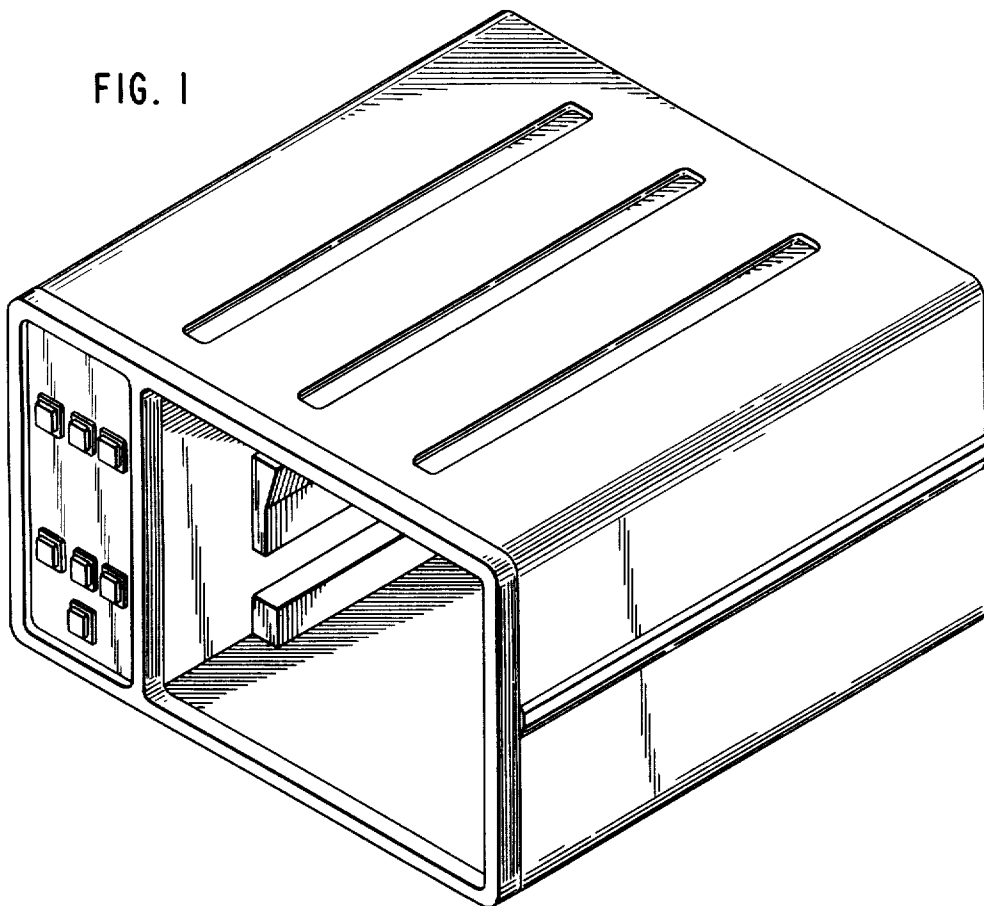
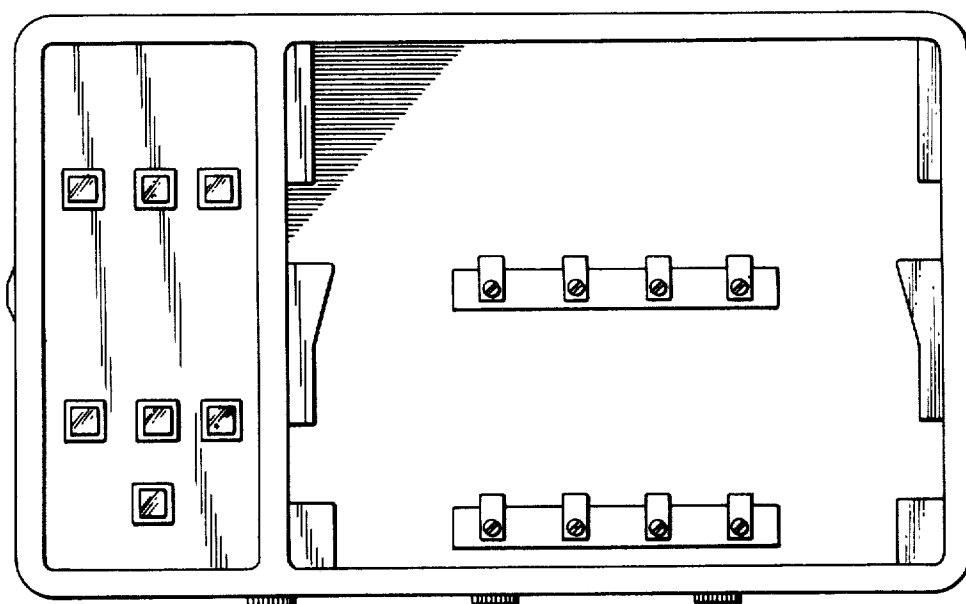


FIG. 2



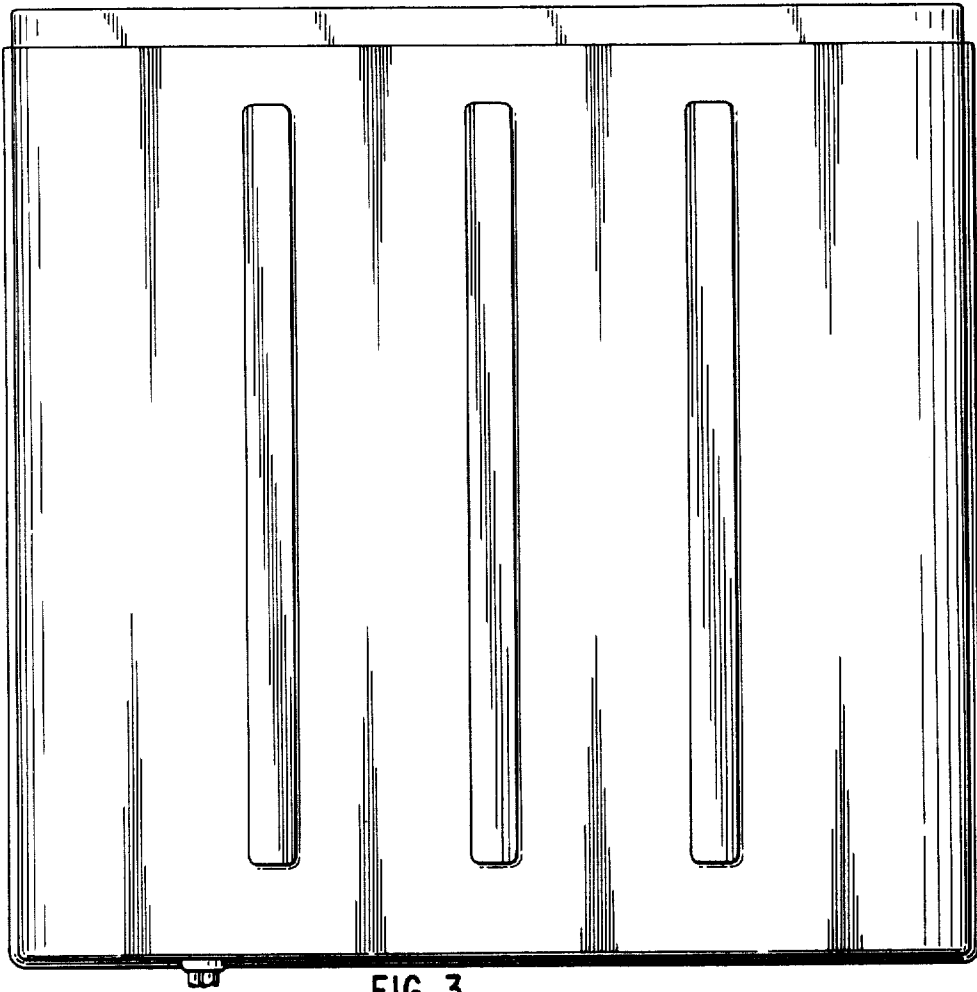


FIG. 3

FIG. 4

