



US00D786836S

(12) **United States Design Patent**  
**Leabman**

(10) **Patent No.:** **US D786,836 S**

(45) **Date of Patent:** **\*\* May 16, 2017**

- (54) **TELEVISION WITH ANTENNA**
- (71) Applicant: **ENERGOUS CORPORATION**, San Jose, CA (US)
- (72) Inventor: **Michael A Leabman**, San Ramon, CA (US)
- (73) Assignee: **ENERGOUS CORPORATION**, San Jose, CA (US)
- (\*\*) Term: **14 Years**
- (21) Appl. No.: **29/487,663**
- (22) Filed: **Apr. 10, 2014**
- (51) **LOC (10) Cl.** ..... **14-03**
- (52) **U.S. Cl.**  
USPC ..... **D14/230; D14/126**
- (58) **Field of Classification Search**  
USPC ..... D14/138, 230-238, 299, 358; D12/42, D12/43; 343/700 MS, 700 R-705, 343/711-713, 735, 736, 741, 748, 767, 343/795, 819, 840, 846, 866, 871-908; 455/90.2, 90.3, 91, 128, 269, 344, 347, 455/562.1  
CPC ..... H01Q 7/00; H01Q 13/10; H01Q 9/285; H01Q 19/30; H01Q 19/12; H01Q 1/38; H01Q 1/36; H01Q 1/32; H01Q 1/3275; H04B 1/0475; H04B 1/034; H05K 11/00  
See application file for complete search history.

- D246,180 S \* 10/1977 Yamauchi ..... D19/113
- 5,022,170 A \* 6/1991 House ..... B43L 1/00  
281/45
- D326,779 S \* 6/1992 Durand ..... D6/300
- 5,375,351 A \* 12/1994 King ..... G09F 1/12  
40/124.04
- D354,002 S \* 1/1995 Kawashima ..... D10/18
- 5,396,999 A \* 3/1995 Sandheinrich ..... A45C 11/20  
206/541
- D358,037 S \* 5/1995 Monroe ..... D6/300
- D370,129 S \* 5/1996 Freudenfeld ..... D6/301
- 5,791,620 A \* 8/1998 Carcich, Jr. .... G06F 3/0395  
248/346.01
- D417,701 S \* 12/1999 Jack ..... D19/113

(Continued)

**OTHER PUBLICATIONS**

The silver-frame of the bulletin board that says "Reaching for the Stars" at <http://tpiscsul.weebly.com/top-10-before-open-house.html>; closeup of image from amazonaws.com.\*

*Primary Examiner* — John Windmuller  
(74) *Attorney, Agent, or Firm* — Morgan, Lewis & Bockius LLP

(57) **CLAIM**

The ornamental design for a television with antenna, as shown and described.

**DESCRIPTION**

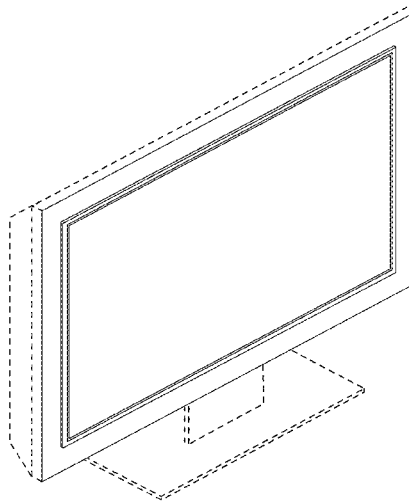
FIG. 1 is a front perspective view of a television with antenna;  
FIG. 2 is a front view of a television with antenna;  
FIG. 3 is rear view of a television with antenna;  
FIG. 4 is a right side view of FIG. 1; and,  
FIG. 5 is a left side view of FIG. 1.  
The broken lines in the figures depict portions of the television with antenna that form no part of the claimed design.

**1 Claim, 3 Drawing Sheets**

(56) **References Cited**

**U.S. PATENT DOCUMENTS**

- 1,802,999 A \* 4/1931 Budd ..... A47G 1/143  
40/748
- 1,945,072 A \* 1/1934 Quigley ..... A47F 5/025  
359/854
- 2,201,251 A \* 5/1940 Patten ..... A45D 42/10  
359/854
- 3,560,092 A \* 2/1971 Coney ..... B42F 9/001  
24/67.7



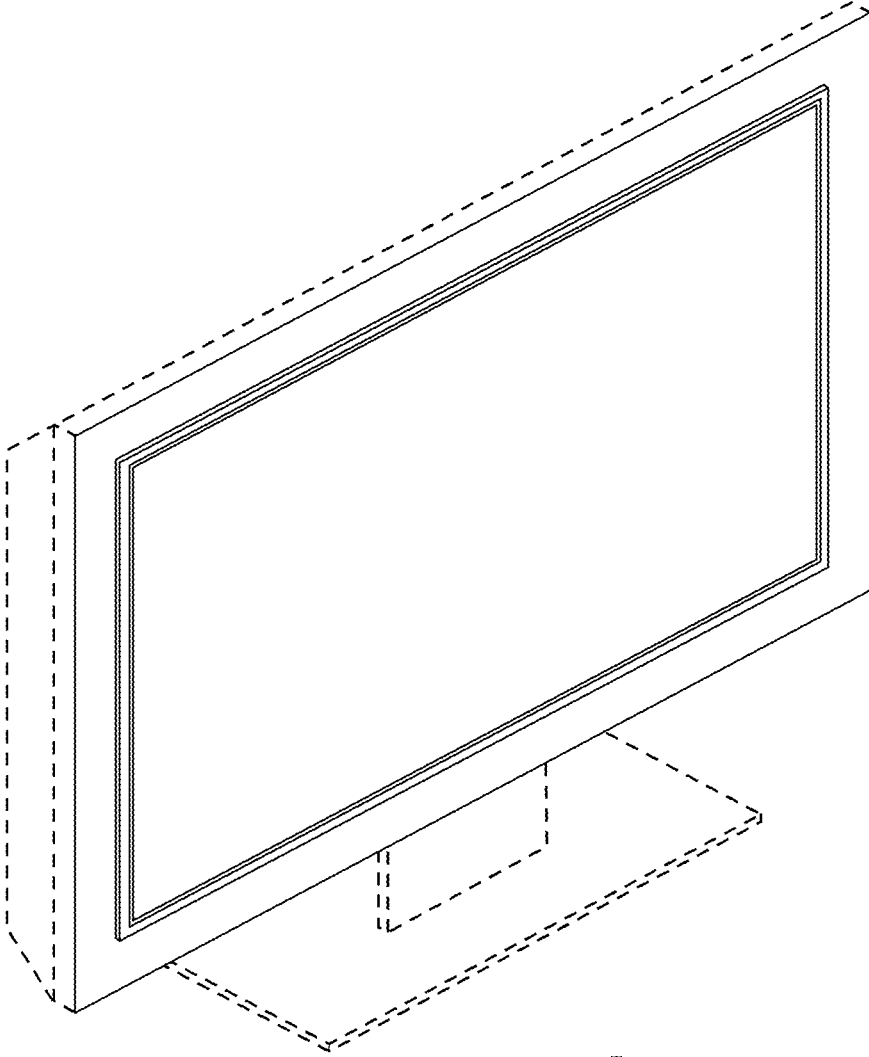
(56)

References Cited

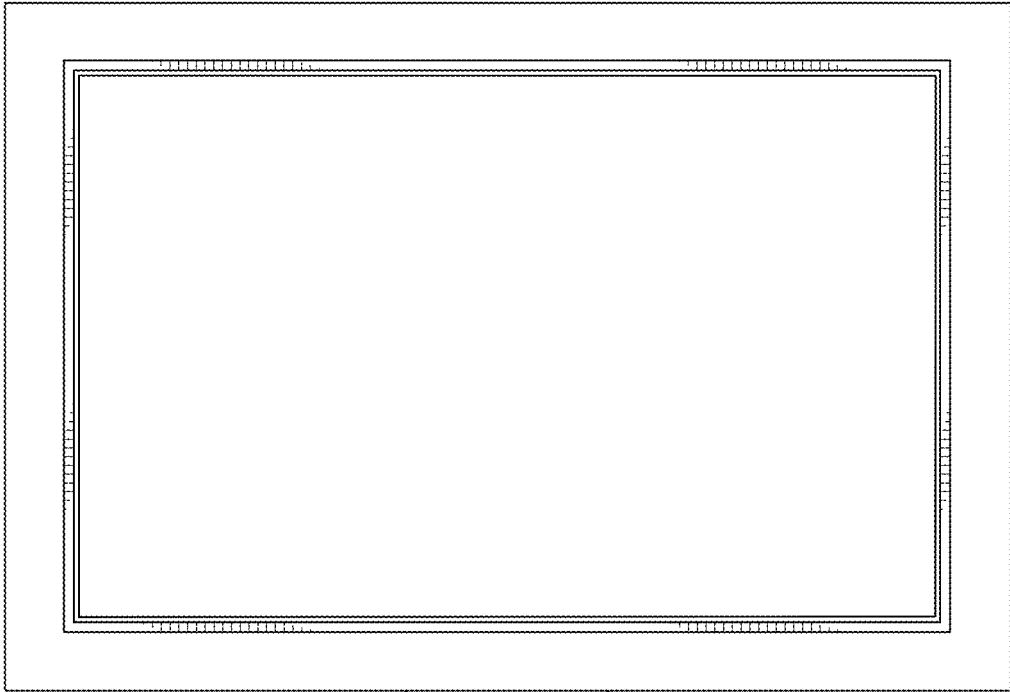
U.S. PATENT DOCUMENTS

D418,309 S *	1/2000	Kuebel	D6/301	8,779,989 B2 *	7/2014	Huang	H01Q 13/10
D421,529 S *	3/2000	Rowan	D6/301				343/700 MS
D424,813 S *	5/2000	DeMary	D6/301	8,816,928 B2 *	8/2014	Weng	H01Q 5/364
D431,537 S *	10/2000	Saeki	D14/126				343/700 MS
D434,569 S *	12/2000	Frischman	D6/301	8,836,584 B2 *	9/2014	Kim	H01Q 1/243
D436,255 S *	1/2001	Colby	D6/301				343/700 MS
D458,459 S *	6/2002	Gottwald	D6/300	8,872,703 B2 *	10/2014	Degen	H01Q 1/38
D460,984 S *	7/2002	McGowan	D19/113				343/700 MS
D471,236 S *	3/2003	Robbins, III	D19/82	8,878,737 B2 *	11/2014	Rao	H01Q 1/242
D540,285 S *	4/2007	Kita	D14/126				343/700 MS
7,242,353 B2 *	7/2007	Hung	H01Q 1/22	8,890,751 B2 *	11/2014	Wolf	H01Q 1/243
			343/702				343/700 MS
7,260,904 B1 *	8/2007	Boisseau	G09D 3/00	8,922,434 B2 *	12/2014	Prat	H01Q 1/44
			40/107				343/700 MS
D551,717 S *	9/2007	Diller	D20/42	D723,485 S *	3/2015	Hwangbo	D14/126
7,362,259 B2 *	4/2008	Gottwald	H01Q 1/325				D14/126
			342/159	D726,135 S *	4/2015	Takechi	D14/126
D573,117 S *	7/2008	Niitsu	D14/126				H01Q 1/38
D634,723 S *	3/2011	Park	D14/126	D733,083 S *	6/2015	Hwangbo	D14/126
7,973,722 B1 *	7/2011	Hill	H01Q 7/08				D19/113
			343/702	D734,394 S *	7/2015	Lyons	D19/113
D643,878 S *	8/2011	Osorio	D19/113				D14/126
8,125,772 B2 *	2/2012	Kim	G02F 1/133308	D743,361 S *	11/2015	Hwangbo	D14/126
			343/702				D14/126
8,285,231 B2 *	10/2012	Rofougaran	H01Q 1/2283	D744,441 S *	12/2015	Shin	D14/126
			343/700 MS				D14/126
D683,403 S *	5/2013	Vasconcelos	D19/113	D753,080 S *	4/2016	Dai	D14/126
D691,976 S *	10/2013	Hotta	D14/126				D14/126
D694,210 S *	11/2013	Fujii	D14/126	D753,619 S *	4/2016	Itai	D14/126
8,576,551 B2 *	11/2013	Oh	F16M 11/10				D14/126
			349/58	D755,136 S *	5/2016	Jung	D14/126
D699,280 S *	2/2014	Lim	D16/241				D14/126
				D755,138 S *	5/2016	Kim	D14/126
							D14/126
				2004/0150943 A1 *	8/2004	Rock	G06F 1/1607
							361/679.22
				2004/0189625 A1 *	9/2004	Sato	G06K 19/07749
							345/204
				2007/0115188 A1 *	5/2007	Mizoguchi	H01Q 1/22
							343/702
				2007/0194994 A1 *	8/2007	Waltho	H01Q 13/10
							343/702
				2010/0182207 A1 *	7/2010	Miyata	H01L 27/13
							343/702

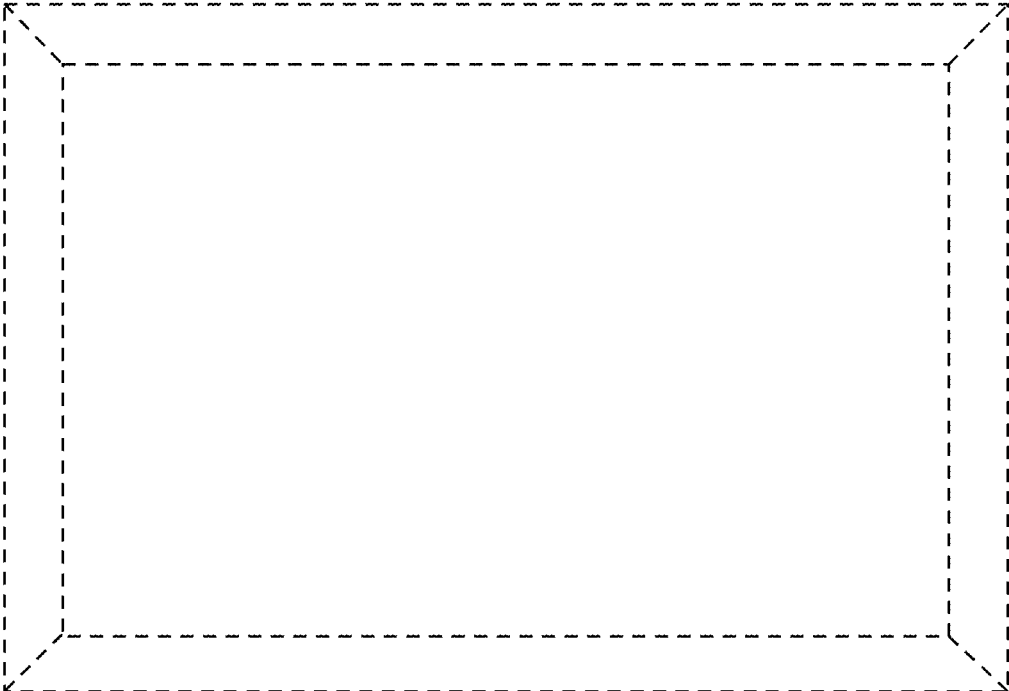
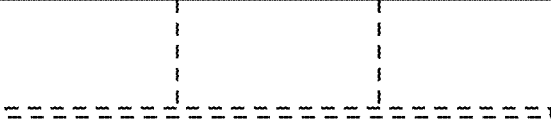
\* cited by examiner



**Figure 1**

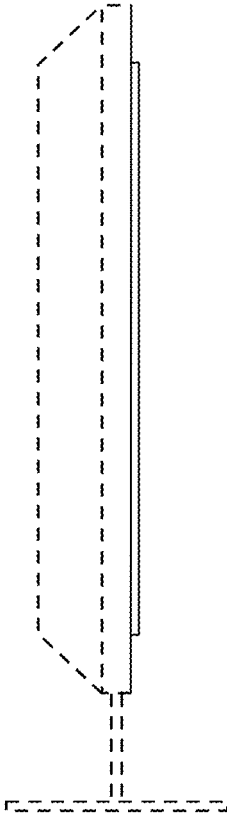


**Figure 2**

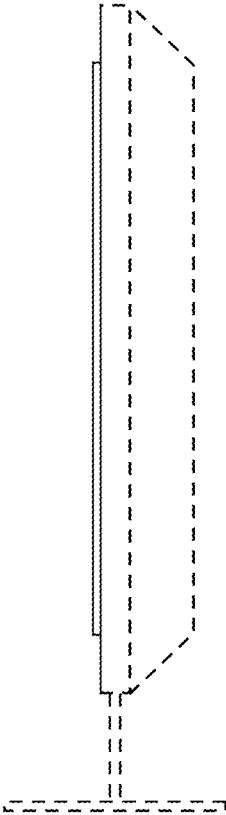


**Figure 3**





**Figure 4**



**Figure 5**