



US00D792198S

(12) **United States Design Patent** (10) **Patent No.:** **US D792,198 S**
Cmich et al. (45) **Date of Patent:** **** Jul. 18, 2017**

(54) **CASTER WHEEL**
(71) Applicant: **MTD Products Inc**, Valley City, OH (US)
(72) Inventors: **Ryan Cmich**, Sharon Township, OH (US); **Ryan W. Maibach**, Medina, OH (US)
(73) Assignee: **MTD Products Inc**, Valley City, OH (US)
(**) Term: **15 Years**

D377,356 S * 1/1997 Bruns D15/28
D386,191 S * 11/1997 Bruns D15/28
D396,863 S * 8/1998 Bruns D15/28
6,321,515 B1 11/2001 Colens
6,327,741 B1 12/2001 Reed
6,339,735 B1 1/2002 Peless et al.
6,493,613 B2 12/2002 Peless et al.
D518,074 S * 3/2006 Yoshida D15/28
7,079,923 B2 7/2006 Abramson et al.
7,444,206 B2 10/2008 Abramson et al.
7,613,543 B2 11/2009 Petersson et al.
7,668,631 B2 2/2010 Bernini
7,729,801 B2 6/2010 Abramson

(Continued)

(21) Appl. No.: **29/543,900**
(22) Filed: **Oct. 29, 2015**
(51) **LOC (10) Cl.** **08-05**
(52) **U.S. Cl.**
USPC **D8/375**
(58) **Field of Classification Search**
USPC D8/375, 374, 382, 354, 377, 358, 356,
D8/359; D10/72, 61, 62; D12/19, 501,
D12/204, 557; D24/138; D3/318, 279,
D3/271.12, 24; D15/14, 15, 28, 67;
D14/484; D34/27, 14, 19, 24, 25;
D21/424, 425, 533, 534, 535, 536;
D25/48.4; D22/140, 137
CPC A01D 2101/00; A01D 34/64; A01D 34/69;
B60G 2300/084; B60B 33/00; B60B
33/0015; B60B 33/006; B60B 33/0063;
B60B 3/00; B60B 3/082; B60Y
2200/223; B60Y 2200/20
See application file for complete search history.

FOREIGN PATENT DOCUMENTS

EP 2648307 A1 10/2013
EP 2656718 A1 10/2013
EP 2852029 A1 3/2015

Primary Examiner — Robert M Spear
Assistant Examiner — Eliza Bennett-Hattan
(74) *Attorney, Agent, or Firm* — Wegman, Hessler & Vanderburg

(57) **CLAIM**

We claim the ornamental design for a caster wheel, as shown and described.

DESCRIPTION

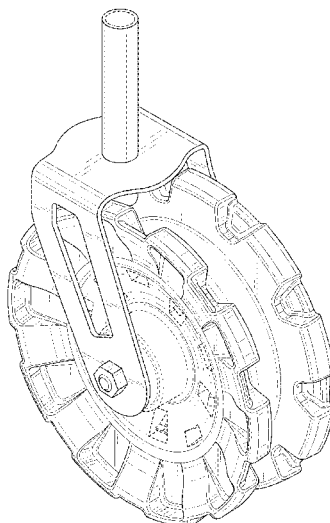
FIG. 1 is a top perspective view of a caster wheel showing our new design;
FIG. 2 is a front view thereof;
FIG. 3 is a rear view thereof;
FIG. 4 is a right side view thereof;
FIG. 5 is a left side view thereof;
FIG. 6 is a top view; and,
FIG. 7 is a bottom view.

The broken lines shown in the drawings are for the purpose of illustrating portions of the article that form no part of the claimed design.

1 Claim, 7 Drawing Sheets

(56) **References Cited**
U.S. PATENT DOCUMENTS

D309,254 S * 7/1990 Guile 16/45
D318,219 S * 7/1991 Guile D8/375
D318,791 S * 8/1991 Guile D8/375
5,204,814 A 4/1993 Noonan et al.



(56)

References Cited

U.S. PATENT DOCUMENTS

7,769,490	B2	8/2010	Abramson et al.	
8,046,103	B2	10/2011	Abramson et al.	
8,239,992	B2	8/2012	Schnittman et al.	
8,428,776	B2	4/2013	Letsky	
8,452,450	B2	5/2013	Dooley et al.	
8,532,822	B2	9/2013	Abramson et al.	
8,600,582	B2	12/2013	Bernini	
8,676,378	B2	3/2014	Tian et al.	
8,818,602	B2	8/2014	Yamamura et al.	
8,868,237	B2	10/2014	Sandin et al.	
D718,793	S *	12/2014	Gur	D15/14
8,983,693	B2	3/2015	Yamamura et al.	
2006/0150361	A1	7/2006	Aldred et al.	
2011/0234153	A1	9/2011	Abramson	
2013/0211646	A1	8/2013	Yamamura et al.	
2013/0211647	A1	8/2013	Yamamura et al.	
2013/0317680	A1	11/2013	Yamamura et al.	
2014/0031979	A1	1/2014	Borinato et al.	
2014/0058611	A1	2/2014	Borinato	
2014/0324269	A1	10/2014	Abramson et al.	

* cited by examiner

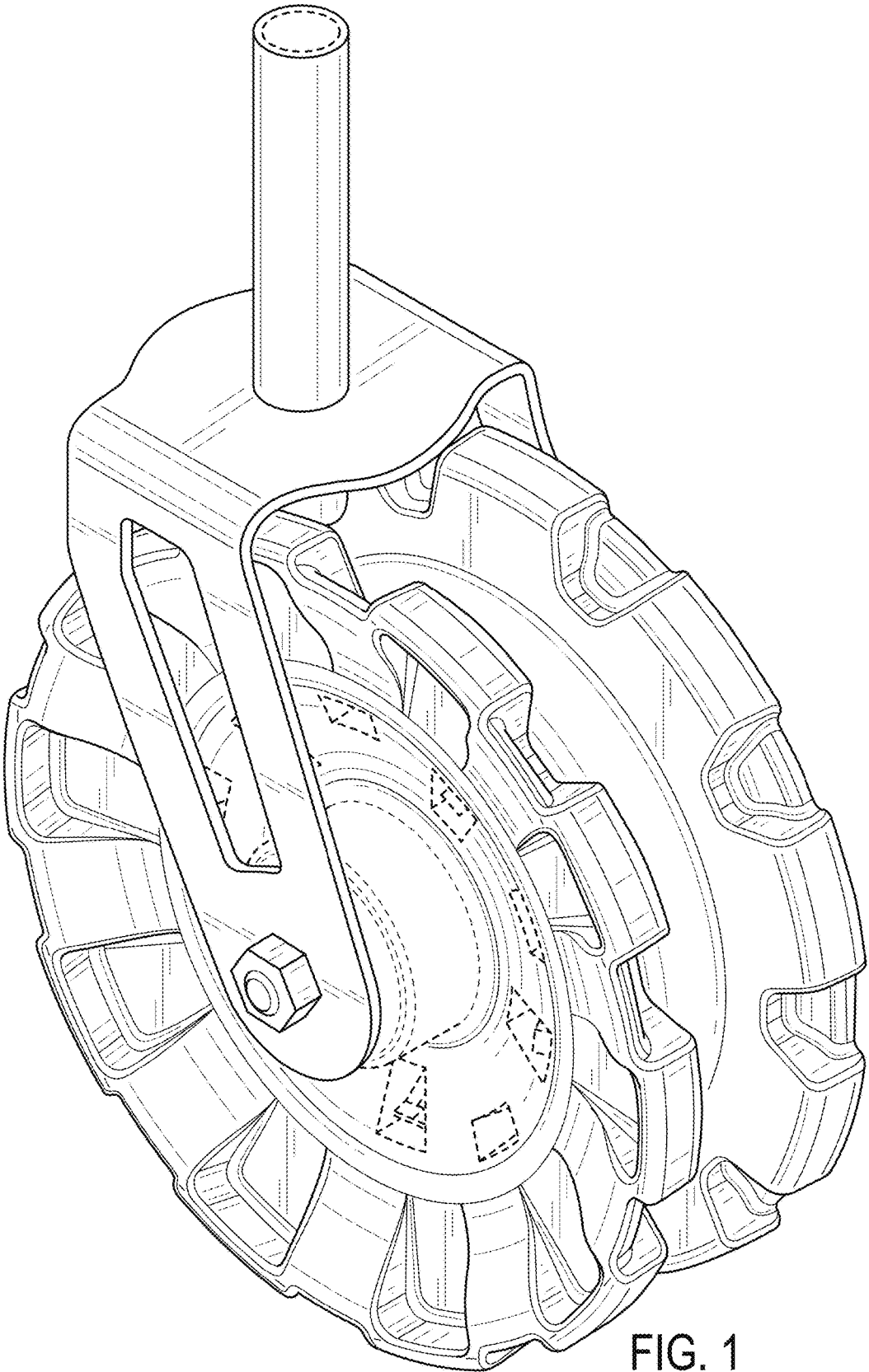


FIG. 1

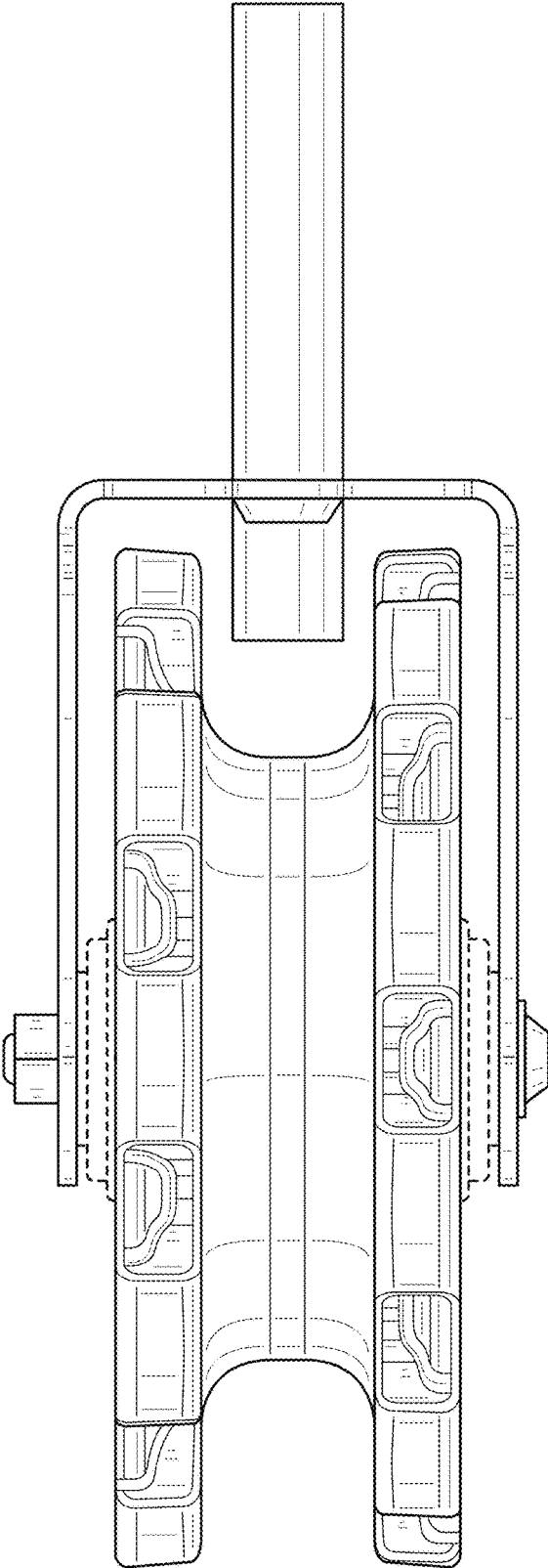


FIG. 2

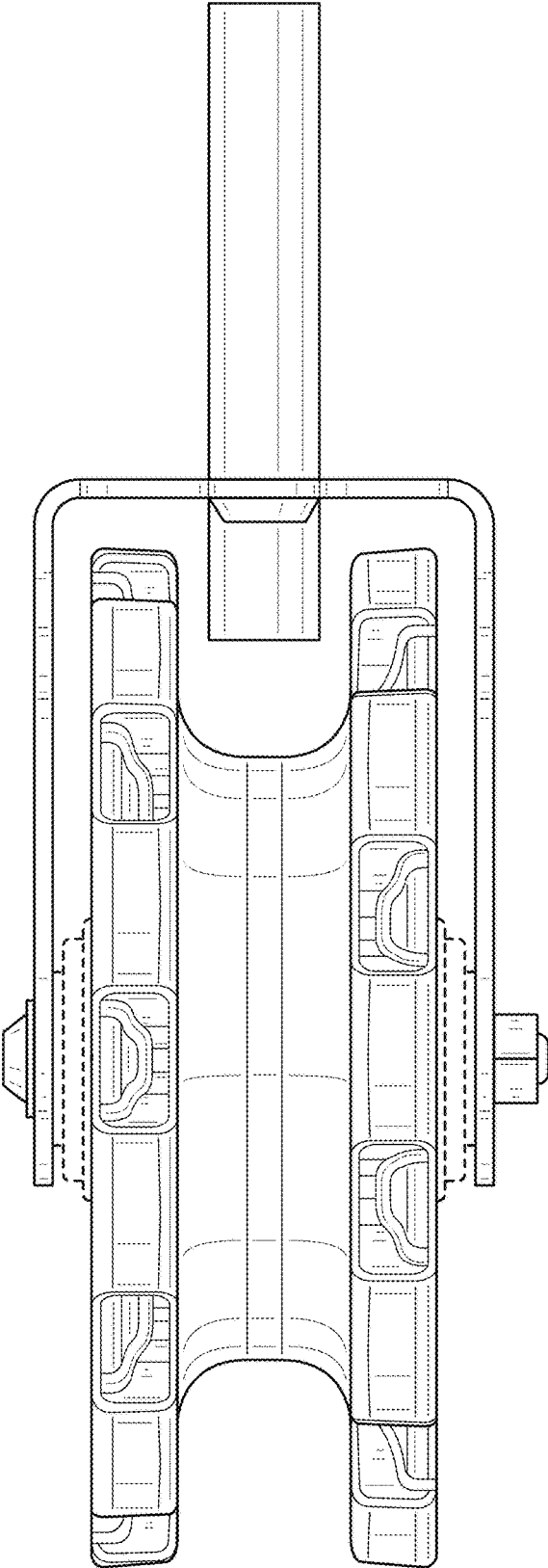


FIG. 3

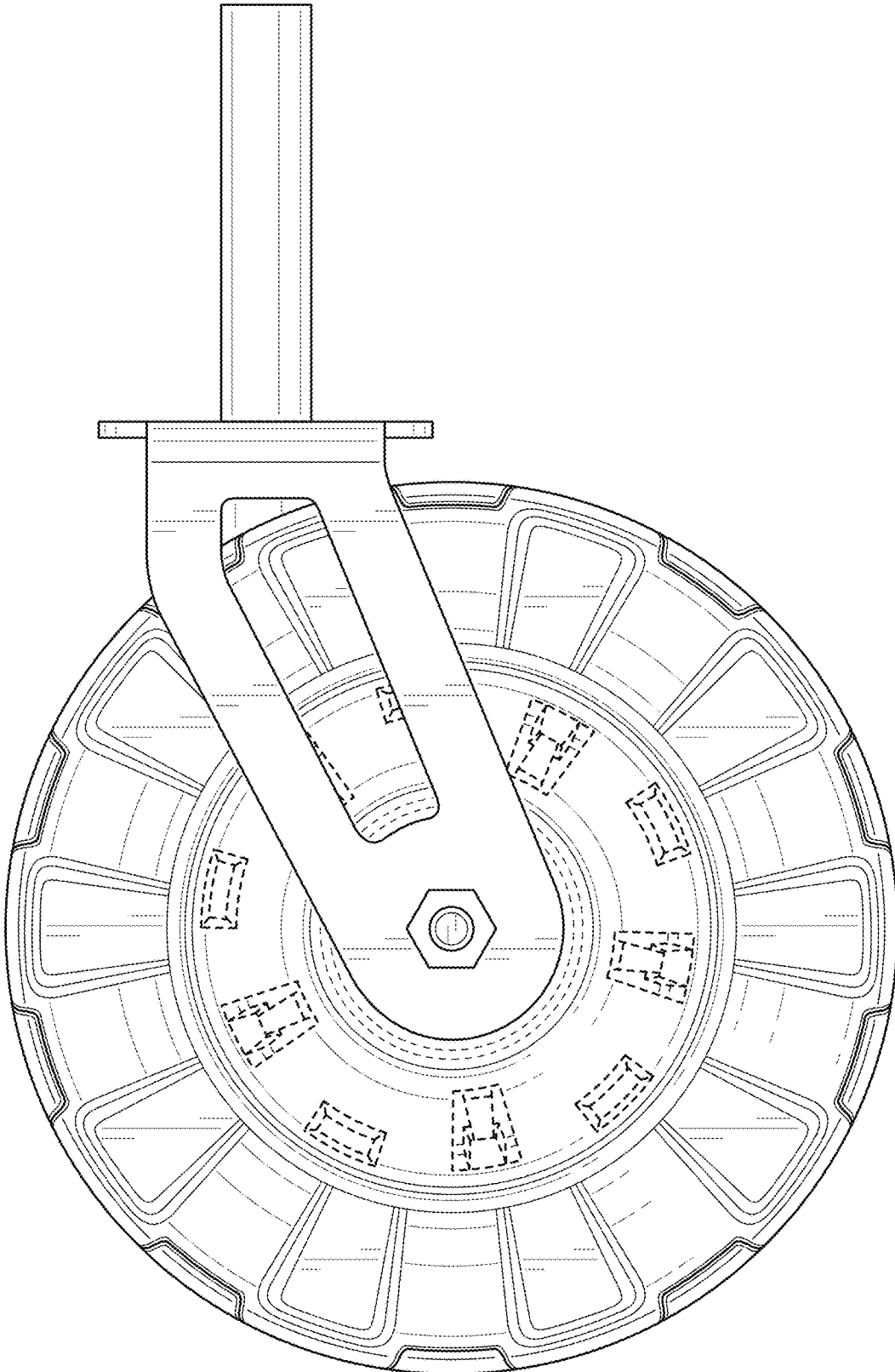


FIG. 4

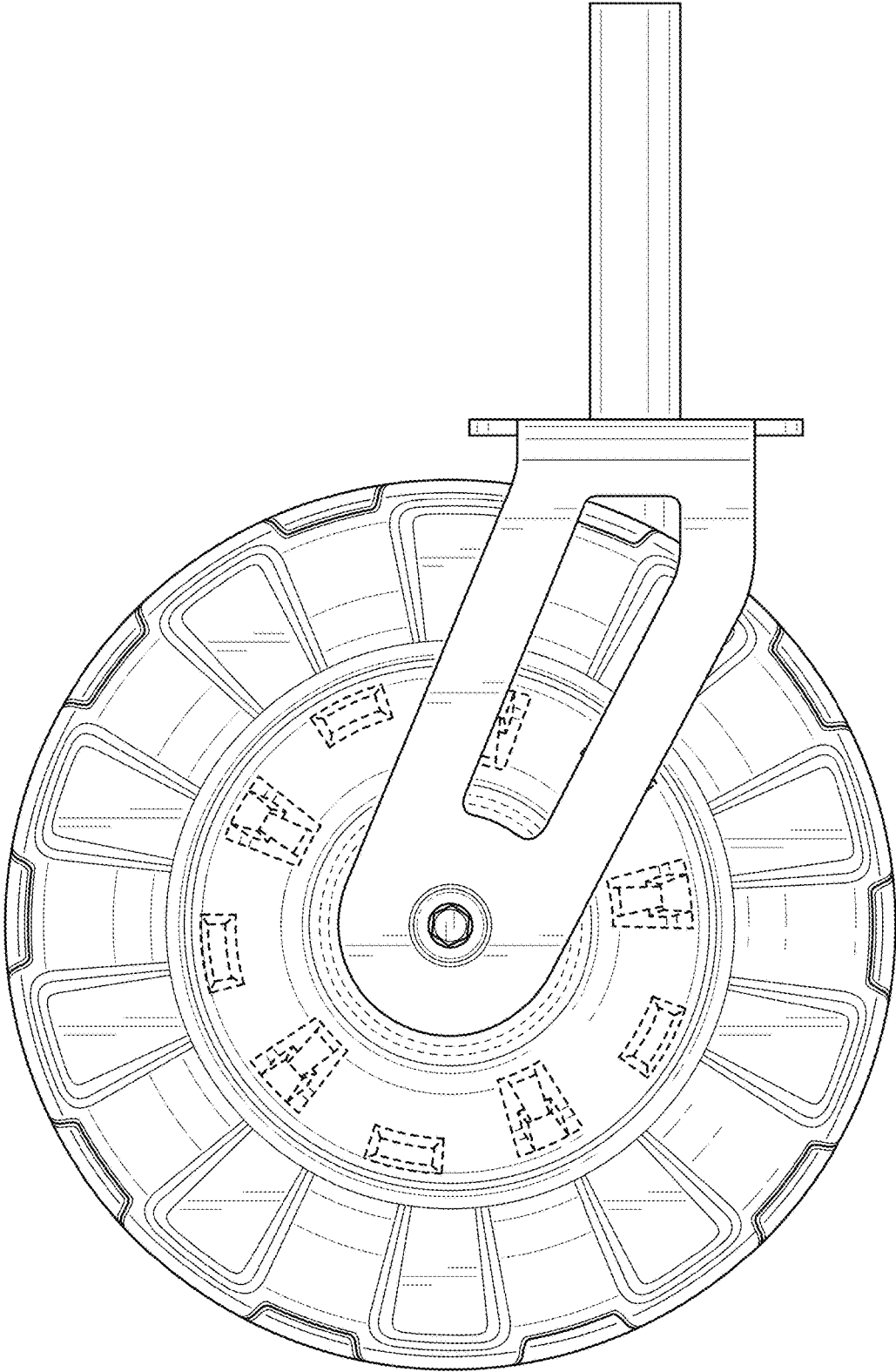


FIG. 5

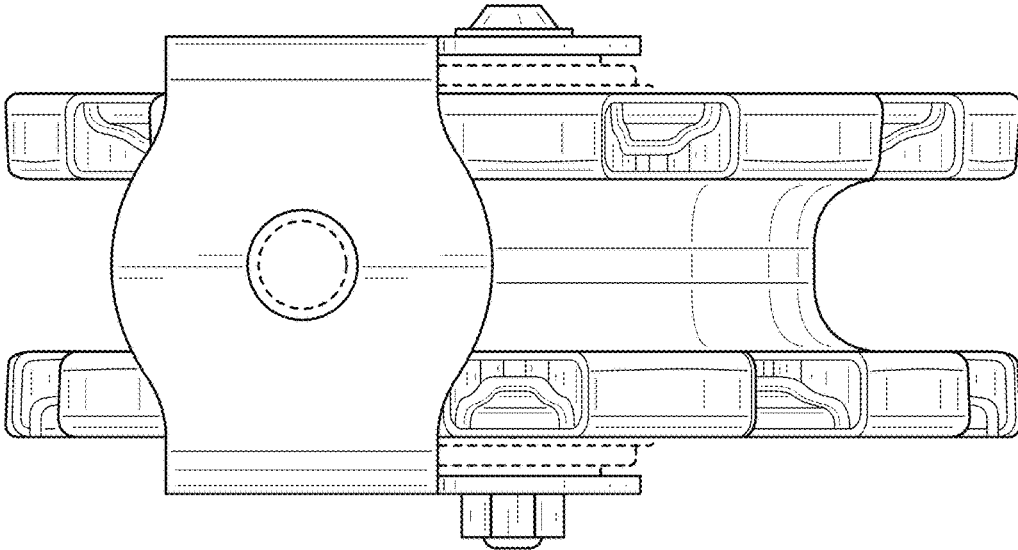


FIG. 6

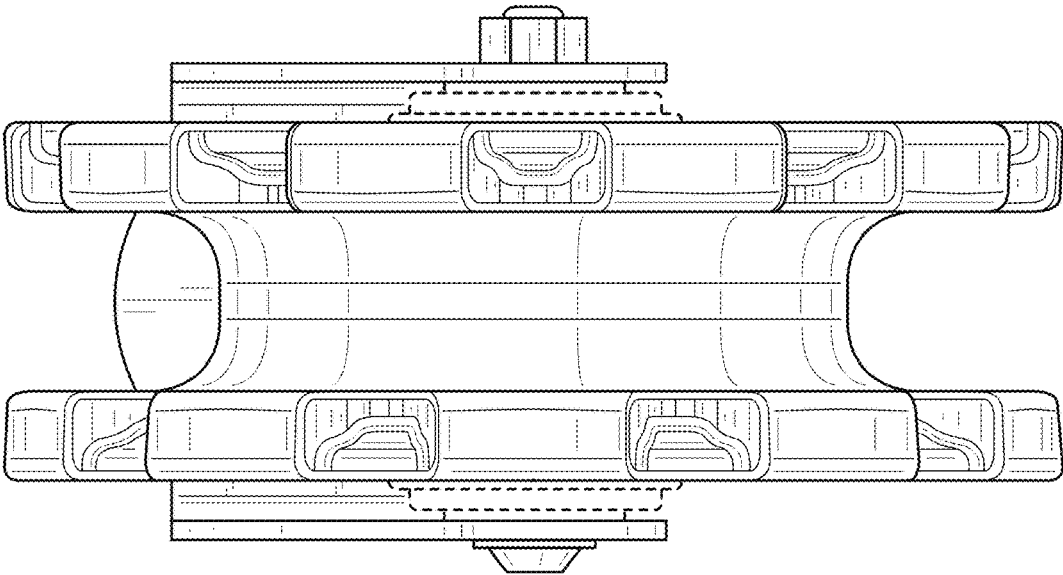


FIG. 7