



US00D851202S

(12) **United States Design Patent**  
**Hartley**

(10) **Patent No.:** **US D851,202 S**

(45) **Date of Patent:** **\*\* Jun. 11, 2019**

(54) **LASER DEVICE**

(71) Applicant: **Crimson Trace Corporation**,  
Wilsonville, OR (US)

(72) Inventor: **Scott Hartley**, Wilsonville, OR (US)

(73) Assignee: **CRIMSON TRACE CORPORATION**, Wilsonville, OR (US)

(\*\*) Term: **15 Years**

(21) Appl. No.: **29/623,633**

(22) Filed: **Oct. 26, 2017**

(51) **LOC (11) Cl.** ..... **22-01**

(52) **U.S. Cl.**  
USPC ..... **D22/109**

(58) **Field of Classification Search**  
USPC ..... D22/100, 101, 103, 106, 108, 109, 110,  
D22/111, 117, 199; D21/300, 301, 570,  
D21/573, 574, 575

CPC .... F41B 5/14; F41B 5/00; F41C 27/00; F41C  
23/14; F41C 23/06; F41C 3/00; F41C  
7/00; F41C 23/20; F41C 23/08; F41C  
23/10; F41G 11/003; F41G 1/18; F41G  
1/38; F41G 1/545

See application file for complete search history.

(56) **References Cited**

**U.S. PATENT DOCUMENTS**

D603,478 S *	11/2009	Hughes	.....	F41G 11/001
				D22/110
D636,049 S *	4/2011	Hughes	.....	F41G 11/001
				D22/109
D636,837 S *	4/2011	Hughes	.....	F41G 11/001
				D22/109
8,256,154 B2 *	9/2012	Danielson	.....	F41A 19/11
				42/117
D669,553 S *	10/2012	Hughes	.....	D22/109
D669,958 S *	10/2012	Essig	.....	D22/108

D669,959 S *	10/2012	Johnston	.....	D22/108
D674,861 S *	1/2013	Johnston	.....	D22/109
D674,862 S *	1/2013	Johnston	.....	D22/109
D687,120 S *	7/2013	Hughes	.....	D22/109
D692,518 S *	10/2013	Anderson	.....	D22/108
D693,898 S *	11/2013	Essig	.....	D22/108
D694,847 S *	12/2013	Anderson	.....	D22/108
D694,848 S *	12/2013	Anderson	.....	D22/109
D696,376 S *	12/2013	Anderson	.....	D22/109
D709,981 S *	7/2014	Johnston	.....	D22/108
D738,456 S *	9/2015	Hughes	.....	D22/109
D738,457 S *	9/2015	Johnston	.....	D22/109
D763,400 S *	8/2016	Johnston	.....	D22/109

(Continued)

**OTHER PUBLICATIONS**

<https://www.academy.com/shop/browse/red-dots--lasers>—  
Retrieved on Jul. 19, 2018.\*

*Primary Examiner* — Khawaja Anwar

*Assistant Examiner* — Mojtaba Tehrani

(74) *Attorney, Agent, or Firm* — Schwabe, Williamson &  
Wyatt, P.C.

(57) **CLAIM**

The ornamental design for a laser device, as shown and described.

**DESCRIPTION**

FIG. 1 is a perspective view of a laser device, showing our new design;

FIG. 2 is a front view thereof;

FIG. 3 is a rear view thereof;

FIG. 4 is a right side view thereof;

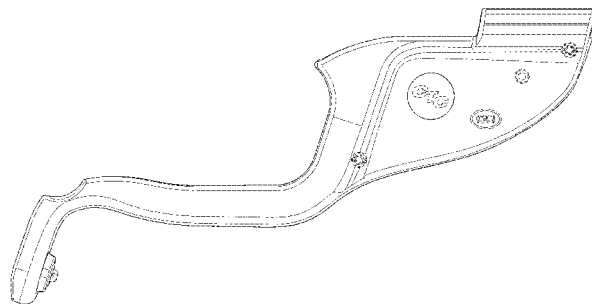
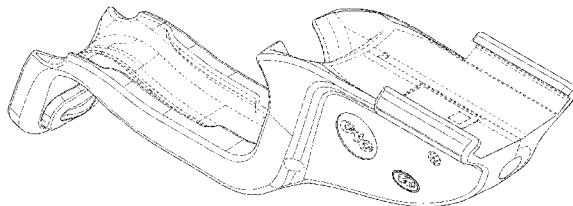
FIG. 5 is a left side view thereof;

FIG. 6 is a top view thereof; and,

FIG. 7 is a bottom view thereof.

The dashed lines are included for illustrating interior and/or environmental structures and form no part of the claimed design.

**1 Claim, 7 Drawing Sheets**



(56)

**References Cited**

U.S. PATENT DOCUMENTS

D792,544	S *	7/2017	Hartley .....	D22/108
D802,704	S *	11/2017	Planck .....	D22/109
D812,179	S *	3/2018	Anderson .....	D22/109
D812,180	S *	3/2018	Anderson .....	D22/109
D812,182	S *	3/2018	Ramasubramanian .....	D22/109
D812,707	S *	3/2018	Planck .....	D22/109
D823,422	S *	7/2018	Anderson .....	D22/109
2012/0124885	A1 *	5/2012	Caulk .....	F41G 1/35 42/146
2012/0144718	A1 *	6/2012	Danielson .....	F41G 1/35 42/117
2013/0074351	A1 *	3/2013	Kowalczyk .....	G01B 11/27 33/286

\* cited by examiner

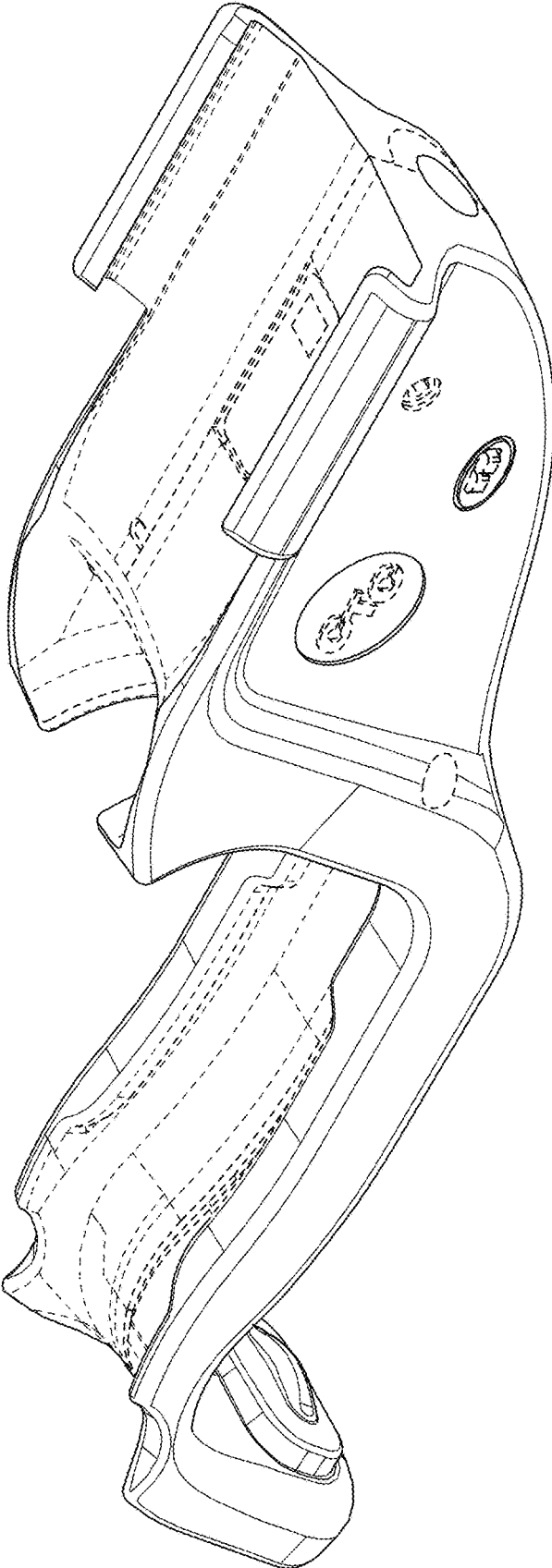


FIG. 1

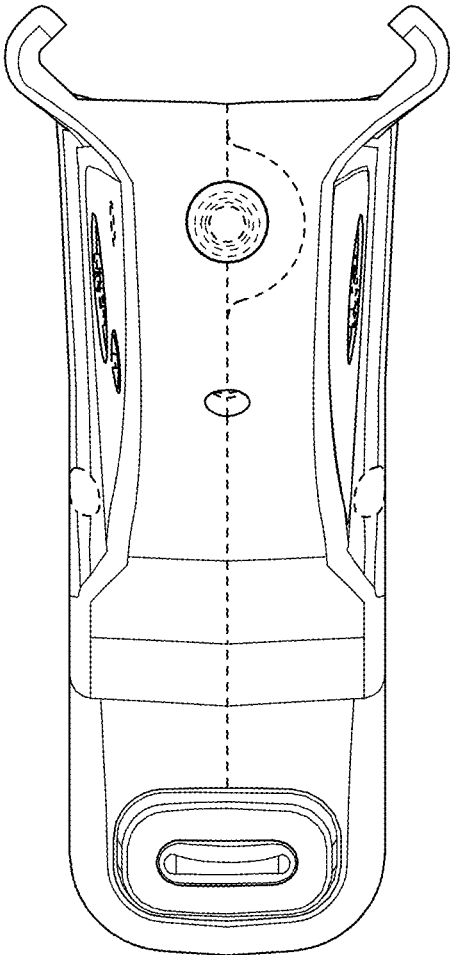


FIG. 2

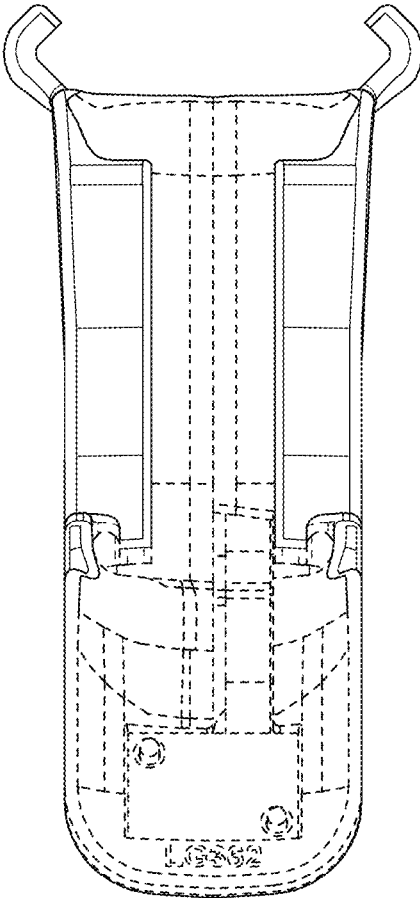


FIG. 3

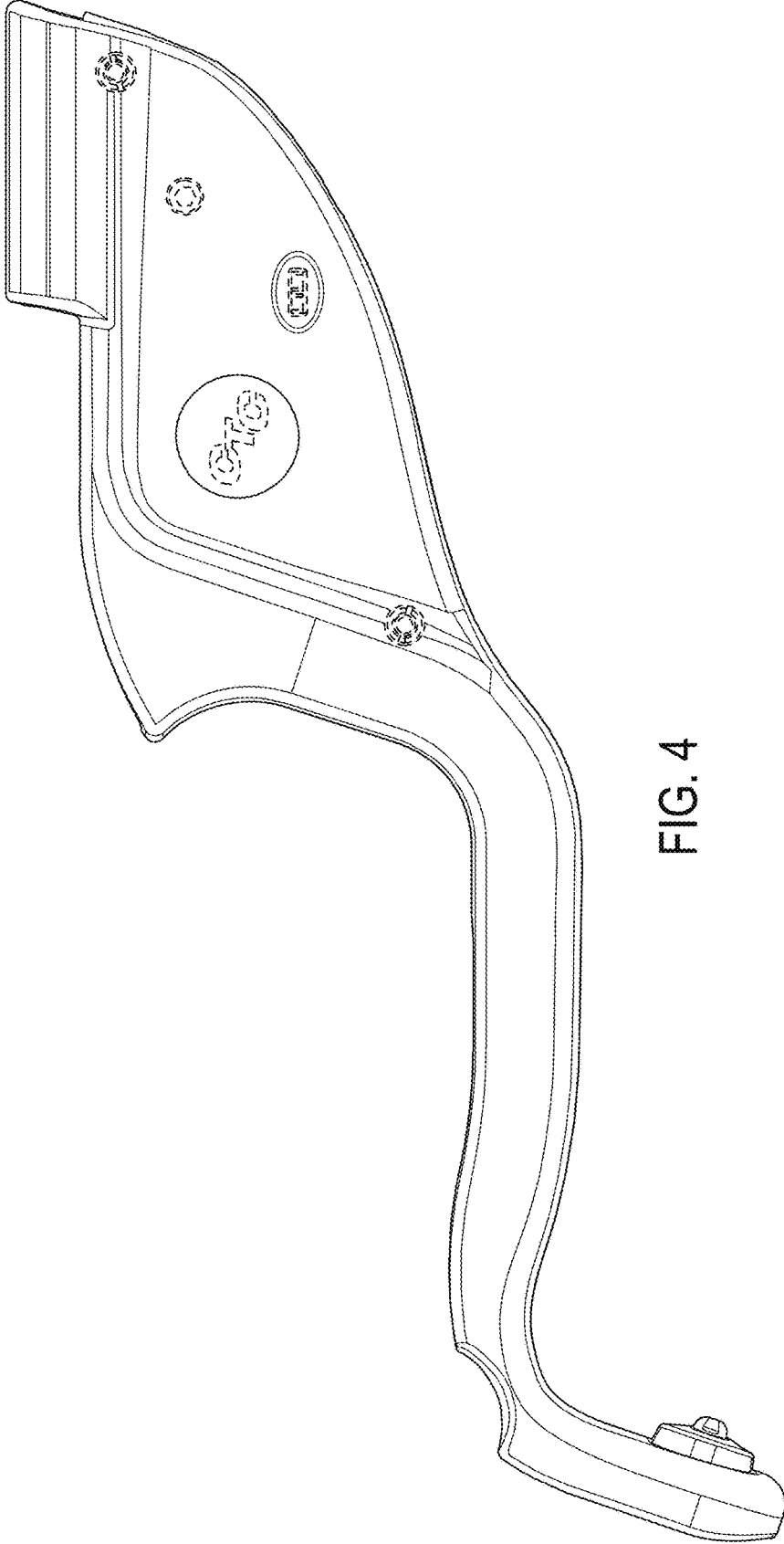


FIG. 4

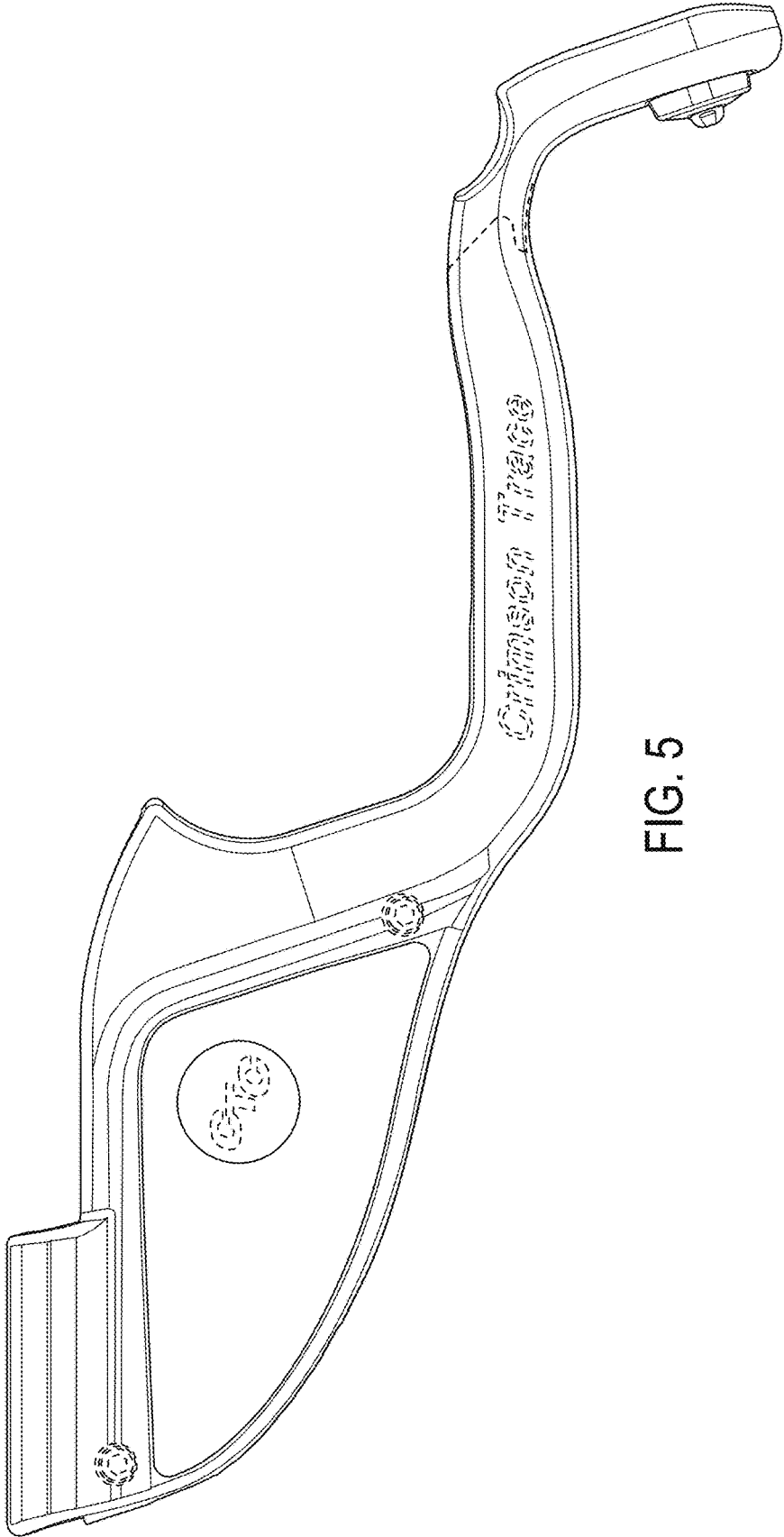


FIG. 5

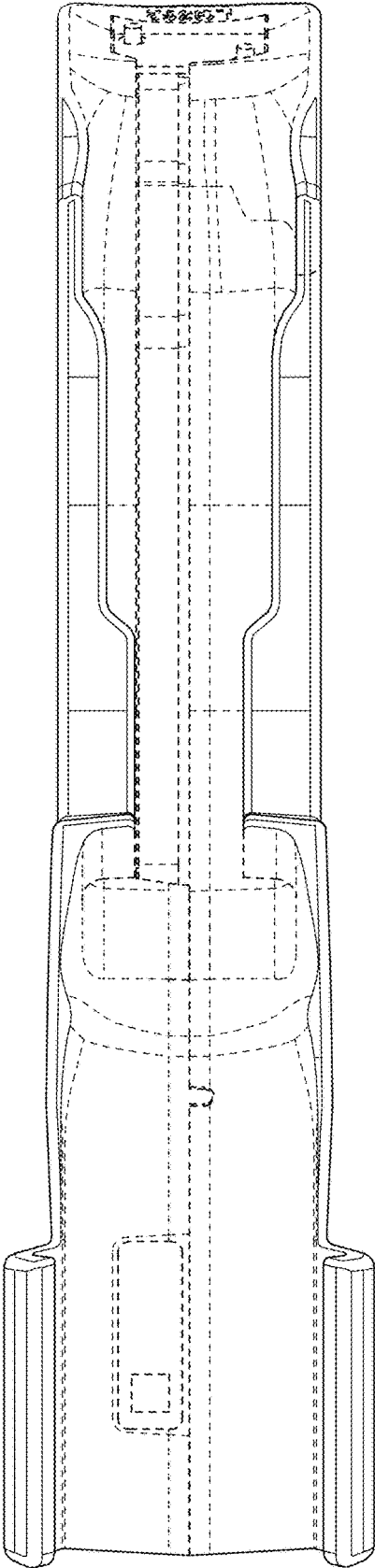


FIG. 6



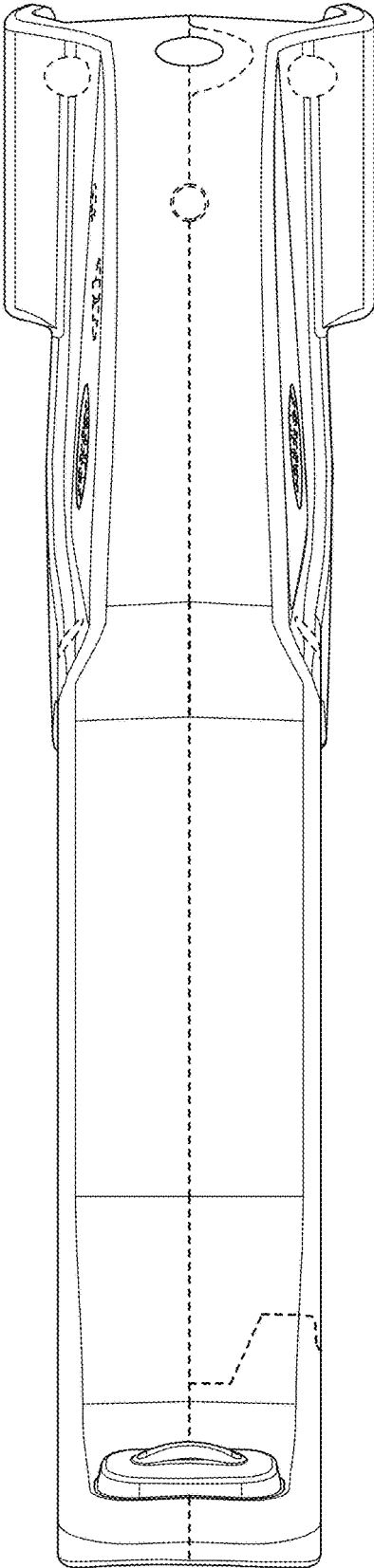


FIG. 7