



US00D592531S

(12) **United States Design Patent**
Wunderman

(10) **Patent No.:** **US D592,531 S**

(45) **Date of Patent:** **** May 19, 2009**

(54) **WRISTWATCH**

(75) Inventor: **Severin S. Wunderman**, Los Angeles, CA (US)

(73) Assignee: **Montres Corum Sarl**, La Chaux-De-Fonds (CH)

(**) Term: **14 Years**

(21) Appl. No.: **29/287,781**

(22) Filed: **Sep. 19, 2007**

(30) **Foreign Application Priority Data**

Apr. 10, 2007 (CH) 133 865

(51) **LOC (9) Cl.** **10-02**

(52) **U.S. Cl.** **D10/39**

(58) **Field of Classification Search** D10/30-39,
D10/122-132; 368/276, 281, 282, 285, 308,
368/319, 28, 80, 223, 228, 232, 294, 295,
368/288; D11/3

See application file for complete search history.

(56) **References Cited**

U.S. PATENT DOCUMENTS

- D19,255 S * 8/1889 Harding D10/124
- D34,162 S * 3/1901 Chiericati D10/126
- D195,421 S * 6/1963 Huguenin D10/39
- D302,667 S * 8/1989 Tobias D10/126
- D302,797 S * 8/1989 Glauser D10/32
- D325,173 S * 4/1992 Gueit D10/32
- D327,851 S * 7/1992 Besson D10/39
- D356,042 S * 3/1995 Nakanishi D10/39
- D357,192 S * 4/1995 Schneider D10/32

- 5,943,302 A * 8/1999 Fanshaw 368/276
- D447,427 S * 9/2001 Finazzi D10/39
- D473,472 S * 4/2003 Wunderman D10/32
- D473,799 S * 4/2003 Wunderman D10/32
- D509,445 S * 9/2005 Wunderman D10/32
- D509,446 S * 9/2005 Wunderman D10/32
- D533,468 S * 12/2006 Loth D10/32
- D536,627 S * 2/2007 Behling D10/38
- D538,184 S * 3/2007 Scheufele D10/39
- D546,204 S * 7/2007 Wunderman D10/33
- D547,226 S * 7/2007 Garcia D10/126

* cited by examiner

Primary Examiner—Lucy Lieberman

(74) *Attorney, Agent, or Firm*—Sughrue Mion, PLLC

(57) **CLAIM**

The ornamental design for a wristwatch, as shown and described.

DESCRIPTION

FIG. 1 is a perspective view of the front and right side of a wristwatch showing my new design;

FIG. 2 is a front elevational view thereof;

FIG. 3 is a rear elevational view thereof;

FIG. 4 is a right side elevational view thereof;

FIG. 5 is a left side elevational view thereof;

FIG. 6 is a top plan view thereof; and,

FIG. 7 is a bottom plan view thereof.

The broken lines shown in the drawing are for illustrative purposes only and form no part of the claimed design.

1 Claim, 2 Drawing Sheets



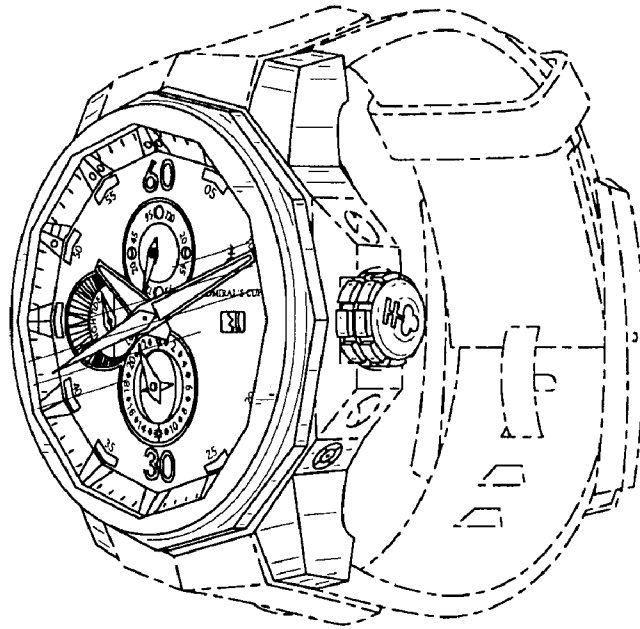


FIG. 1



FIG. 2

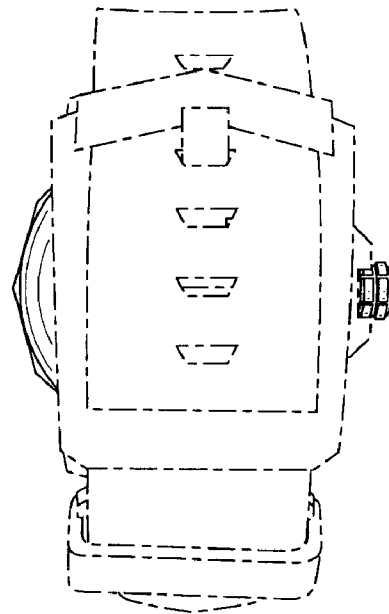


FIG. 3

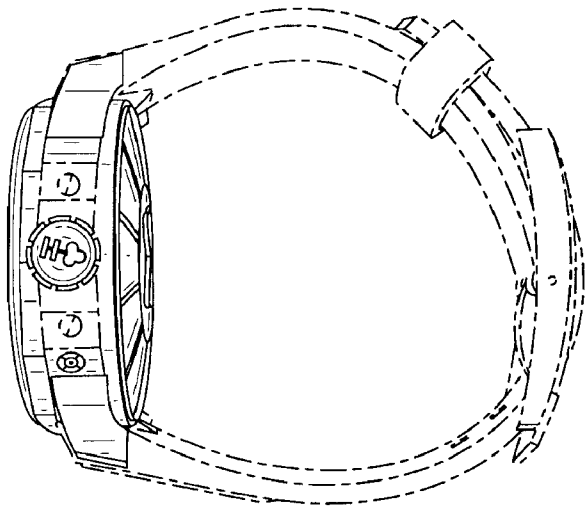


FIG. 4

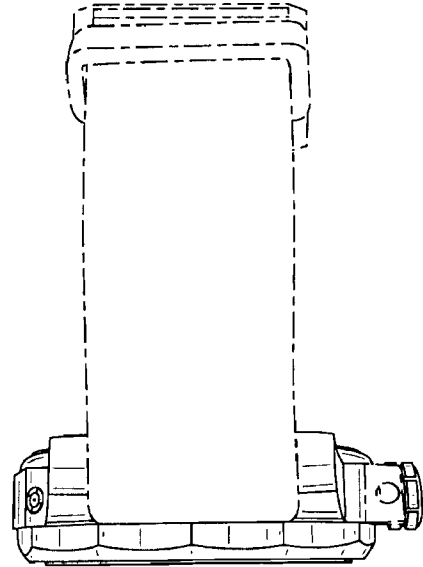


FIG. 6

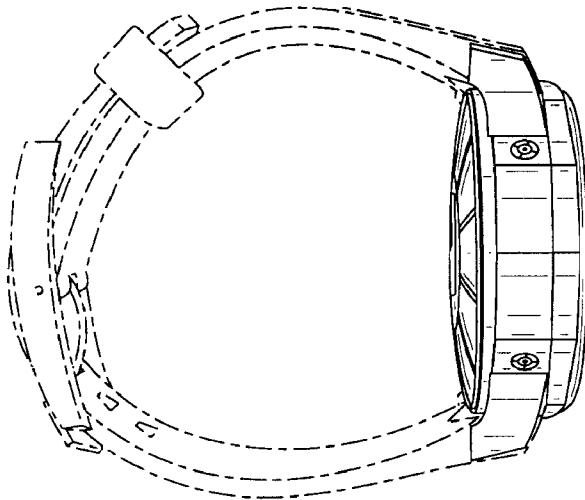


FIG. 5

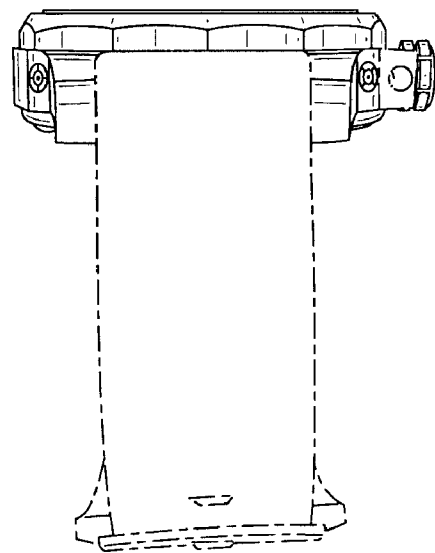


FIG. 7