



US00D453993S

(12) **United States Design Patent**  
**Diltoer**

(10) **Patent No.:** **US D453,993 S**

(45) **Date of Patent:** **\*\* Mar. 5, 2002**

- (54) **SPECTACLE-CASE**
- (75) **Inventor:** **Jacques Diltoer, Paris (FR)**
- (73) **Assignee:** **Cartier International B.V., Amsterdam (NL)**
- (\*\*) **Term:** **14 Years**
- (21) **Appl. No.:** **29/135,454**
- (22) **Filed:** **Jan. 16, 2001**
- (30) **Foreign Application Priority Data**  
Jul. 17, 2000 (XH) ..... DM/052 508
- (51) **LOC (7) Cl.** ..... **03-01**
- (52) **U.S. Cl.** ..... **D3/265; D3/263**
- (58) **Field of Search** ..... **D3/263-264, 265, D3/266, 219; 206/5, 5.1, 6**

- 3,957,099 A \* 5/1976 Kery ..... 206/5
- 5,513,744 A \* 5/1996 Yabarra ..... 206/5
- D407,556 S \* 4/1999 Au ..... D3/265
- D430,727 S \* 9/2000 Wisniewski ..... D3/265

\* cited by examiner

*Primary Examiner*—Celia Murphy  
(74) *Attorney, Agent, or Firm*—Olliff & Berridge, PLC

(57) **CLAIM**

The ornamental design for a spectacle-case, as shown and described.

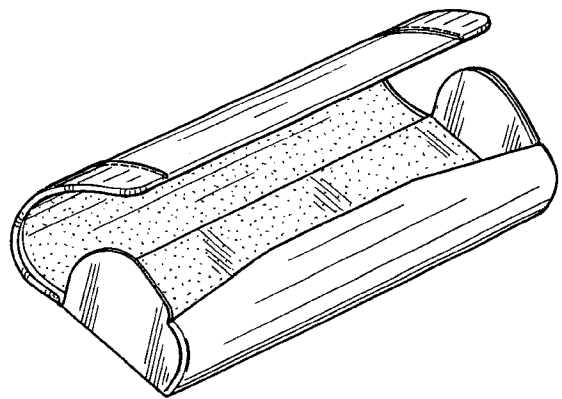
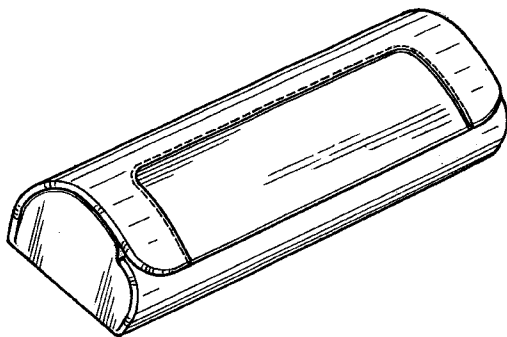
**DESCRIPTION**

FIG. 1 is a perspective view of a spectacle case showing my new design;  
FIG. 2 is a top plan view thereof;  
FIG. 3 is a bottom plan view thereof;  
FIG. 4 is a left side elevational view thereof, the right side being a mirror image;  
FIG. 5 is a front elevational view thereof;  
FIG. 6 is a rear elevational view thereof; and,  
FIG. 7 is a perspective view thereof shown in a partially open position.

The broken lines shown in FIGS. 1, 2, 5, 6, and 7 of the views are understood to represent stitching.

**1 Claim, 7 Drawing Sheets**

- (56) **References Cited**  
**U.S. PATENT DOCUMENTS**  
410,798 A \* 9/1889 Long ..... 206/5  
2,758,707 A \* 8/1956 Baratelli ..... 206/5  
2,850,151 A \* 9/1958 Romolt ..... 206/5  
3,144,127 A \* 8/1964 Fogel ..... 206/2  
3,938,655 A \* 2/1976 Romolt ..... 206/5



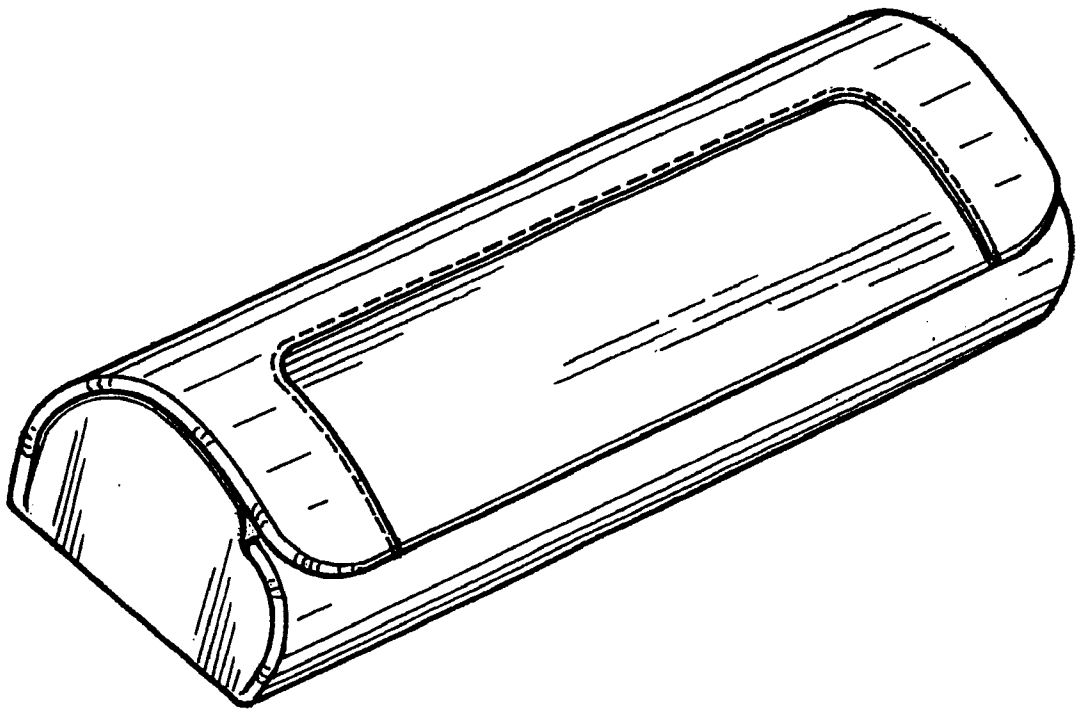


FIG.1

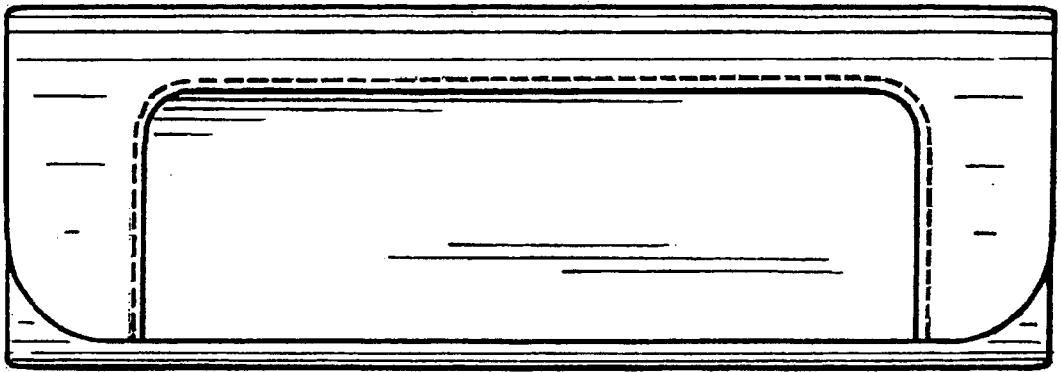


FIG. 2

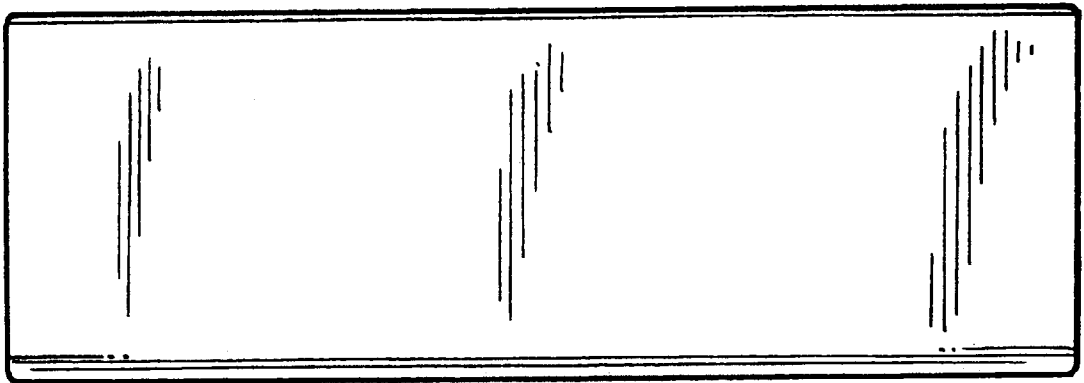


FIG.3

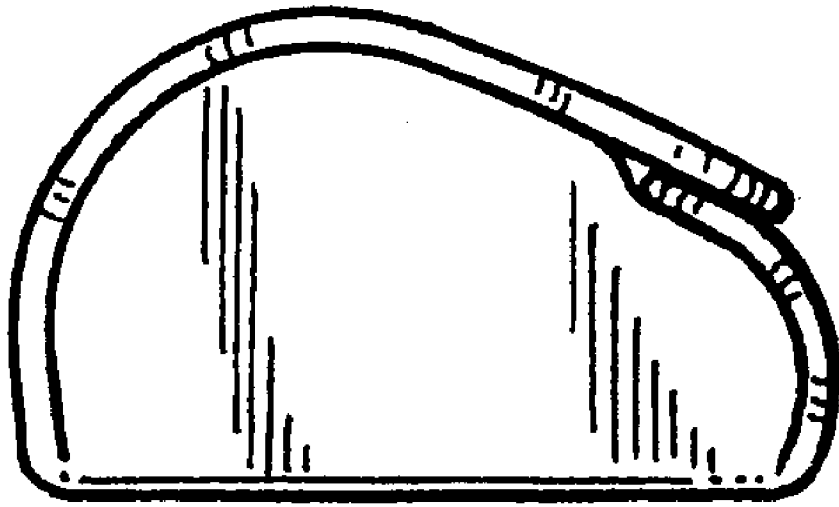


FIG.4

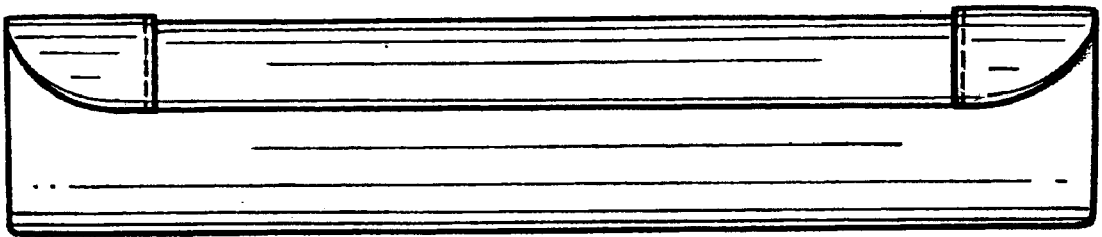


FIG. 5

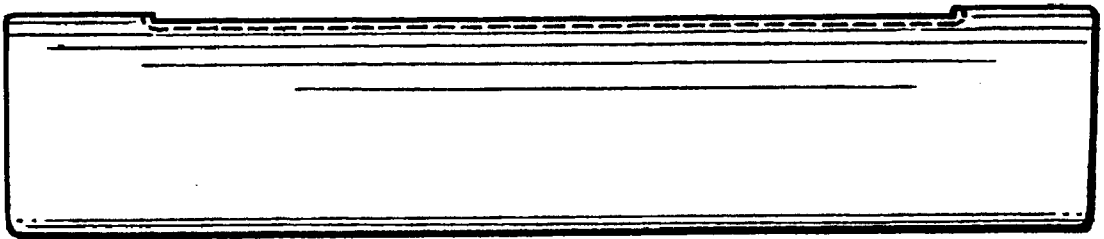


FIG. 6

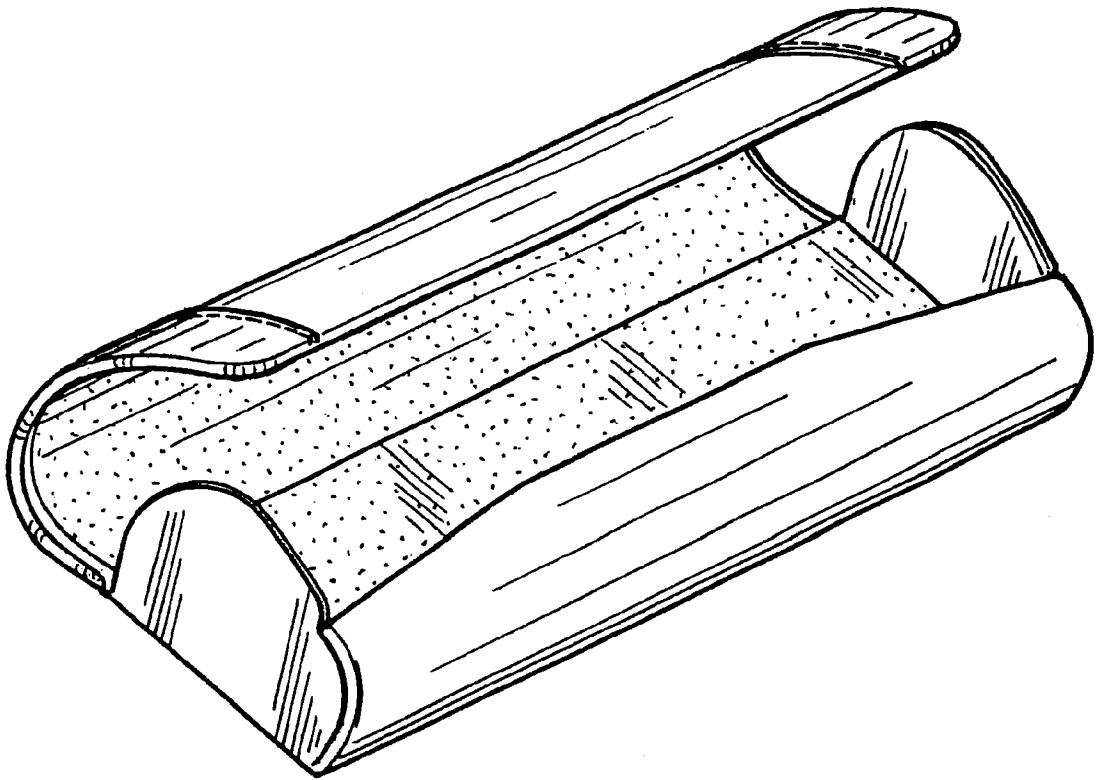


FIG. 7