



US00D538729S

(12) **United States Design Patent**  
**Pfeiffer**

(10) **Patent No.:** **US D538,729 S**

(45) **Date of Patent:** **\*\* Mar. 20, 2007**

(54) **FRONT FACE OF A VEHICLE WHEEL**

(75) Inventor: **Peter Pfeiffer**, Boeblingen (DE)

(73) Assignee: **DaimlerChrysler AG**, Stuttgart (DE)

(\*\*) Term: **14 Years**

(21) Appl. No.: **29/263,332**

(22) Filed: **Jul. 21, 2006**

(30) **Foreign Application Priority Data**

Apr. 3, 2006 (EM) ..... 000506936

(51) **LOC (8) Cl.** ..... **12-16**

(52) **U.S. Cl.** ..... **D12/209**

(58) **Field of Classification Search** ..... D12/204-213;  
301/37.101, 64.101, 65

See application file for complete search history.

(56) **References Cited**

**U.S. PATENT DOCUMENTS**

D360,179 S	*	7/1995	Fuller	.....	D12/211
D409,968 S	*	5/1999	Goplen	.....	D12/211
D471,144 S	*	3/2003	Pfeiffer	.....	D12/209
D476,284 S	*	6/2003	Pfeiffer et al.	.....	D12/211
D504,651 S	*	5/2005	Johnson	.....	D12/211

D507,224 S	*	7/2005	Pfeiffer	.....	D12/211
D507,775 S	*	7/2005	Pfeiffer	.....	D12/211
D512,360 S	*	12/2005	Boyer	.....	D12/211
D512,675 S	*	12/2005	Nagashima	.....	D12/209
D514,999 S	*	2/2006	Boyer	.....	D12/209
D523,387 S	*	6/2006	Pfeiffer	.....	D12/211
D527,326 S	*	8/2006	Pfeiffer	.....	D12/209
D527,328 S	*	8/2006	Pfeiffer	.....	D12/211

\* cited by examiner

*Primary Examiner*—Stacia Cadmus

(74) *Attorney, Agent, or Firm*—Crowell & Moring LLP

(57) **CLAIM**

The ornamental design for a front face of a vehicle wheel, as shown and described.

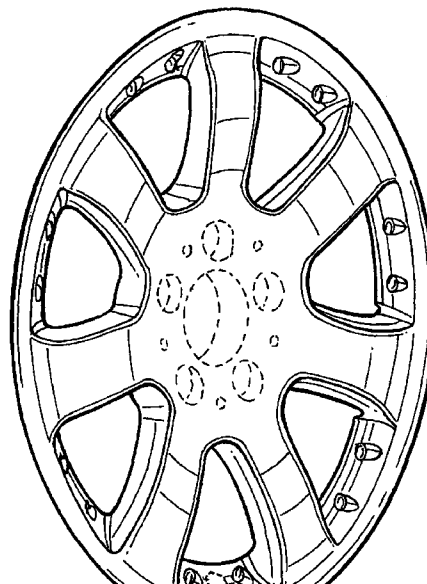
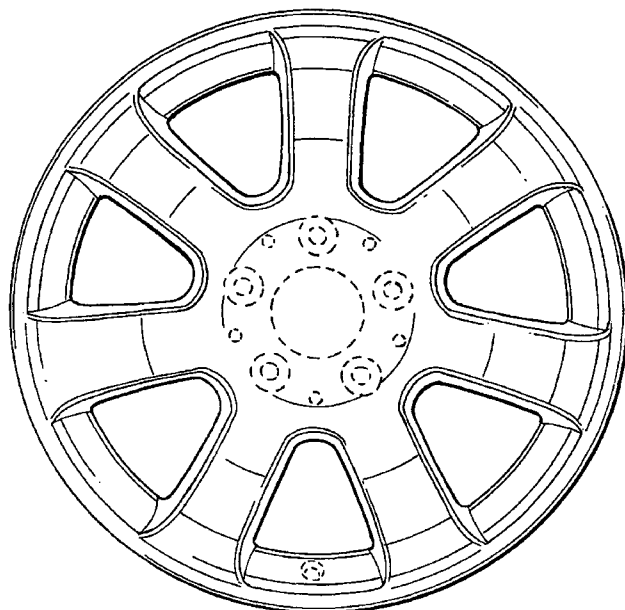
**DESCRIPTION**

FIG. 1 is a front view of a first embodiment of a front face of a vehicle wheel according to my novel design; and FIG. 2 is a perspective view thereof.

FIG. 3 is a front view of a second embodiment of the front face of a vehicle wheel according to my novel design; and, FIG. 4 is a perspective view thereof.

The broken lines are for illustrative purposes only and form no part of the claimed design.

**1 Claim, 2 Drawing Sheets**



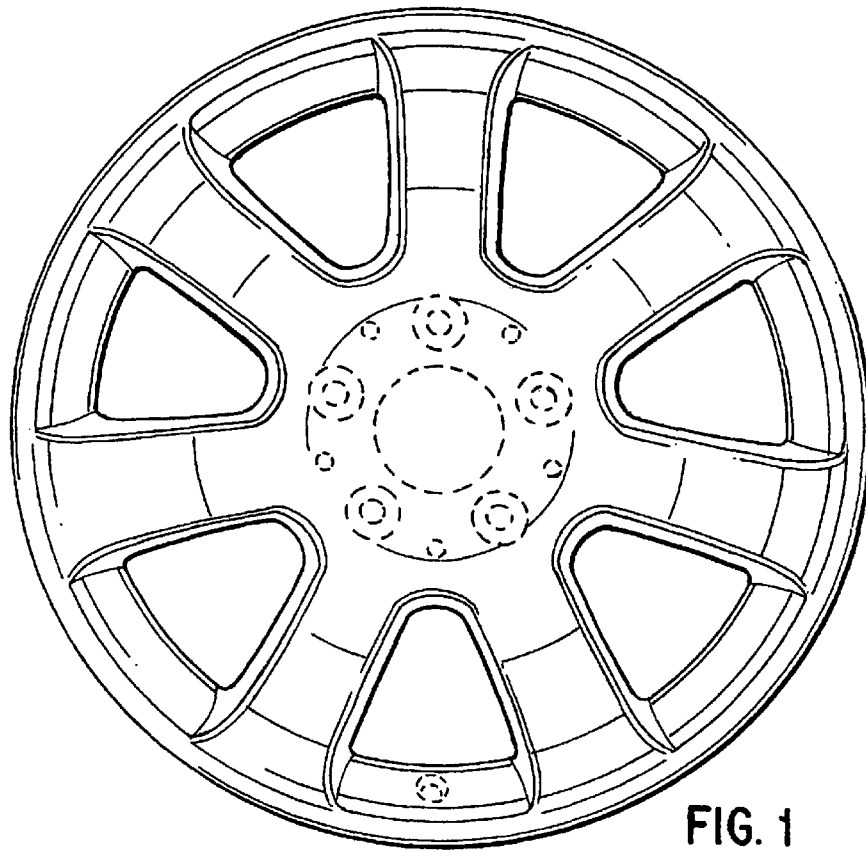


FIG. 1

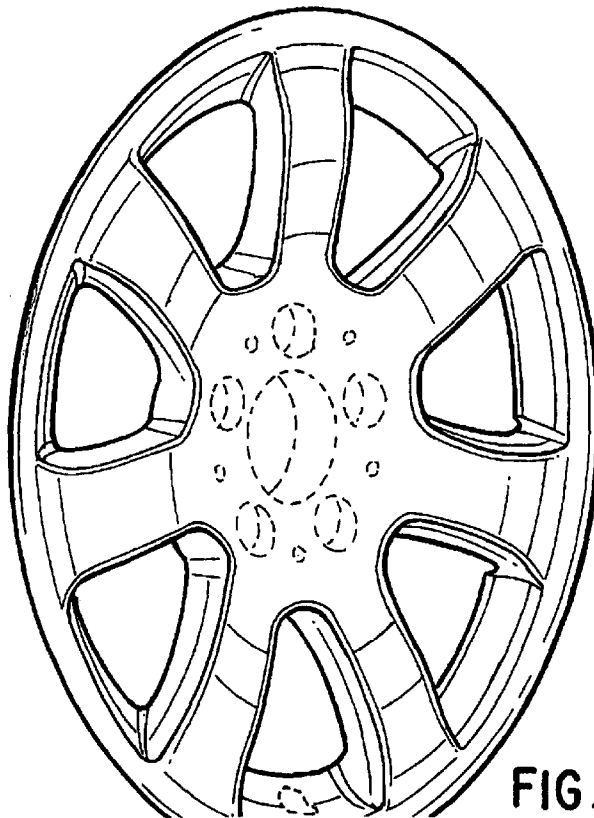


FIG. 2

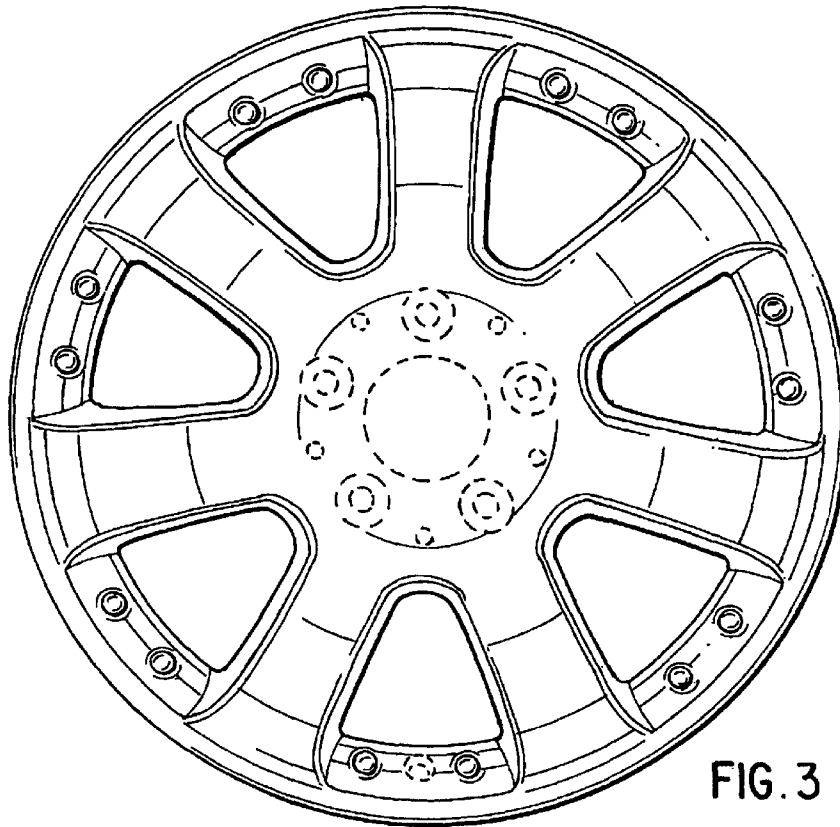


FIG. 3

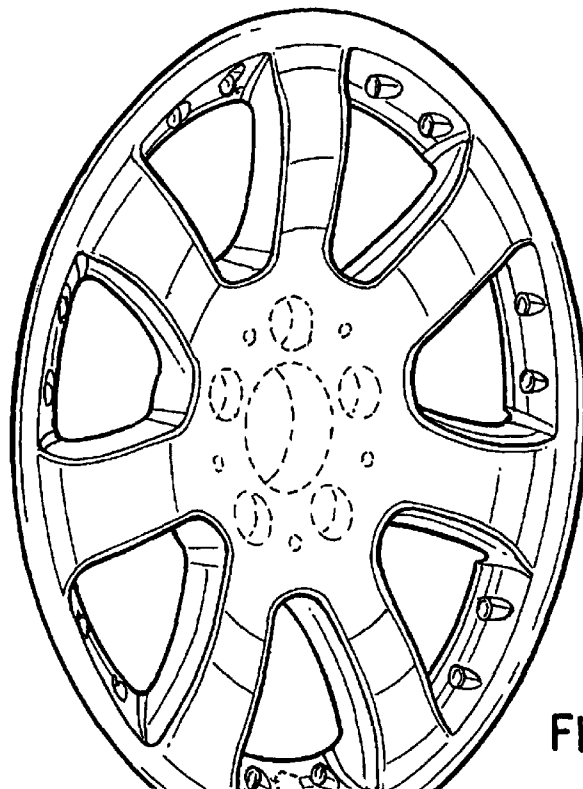


FIG. 4