



US00D409687S

United States Patent [19] Mak

[11] Patent Number: **Des. 409,687**

[45] Date of Patent: **** May 11, 1999**

[54] **TOY BUILDING ELEMENT**

[75] Inventor: **Kai-Shun Mak**, Kwai Chung, The Hong Kong Special Administrative Region of the People's Republic of China

[73] Assignee: **Hop Lee Cheong Industrial Limited**, The Hong Kong Special Administrative Region of the People's Republic of China

[**] Term: **14 Years**

[21] Appl. No.: **29/082,844**

[22] Filed: **Jan. 29, 1998**

[51] **LOC (6) Cl.** **21-01**

[52] **U.S. Cl.** **D21/505**

[58] **Field of Search** D21/483-505;
D19/20, 25; 446/85, 117, 118, 122, 124,
120, 128

[56] **References Cited**

U.S. PATENT DOCUMENTS

D. 15,419 9/1884 Smith .

D. 222,304	10/1971	Smith	D19/25
D. 296,344	6/1988	Olsen	.	
3,527,004	9/1970	Sorensen	446/85
3,566,529	3/1971	Kner	446/128
3,608,906	9/1971	Odier	446/85
5,035,666	7/1991	Kang	446/118
5,221,223	6/1993	Kao	446/85
5,354,224	10/1994	Isuiyama	446/117

Primary Examiner—Raphael Barkai
Attorney, Agent, or Firm—Samuels, Gauthier & Stevens

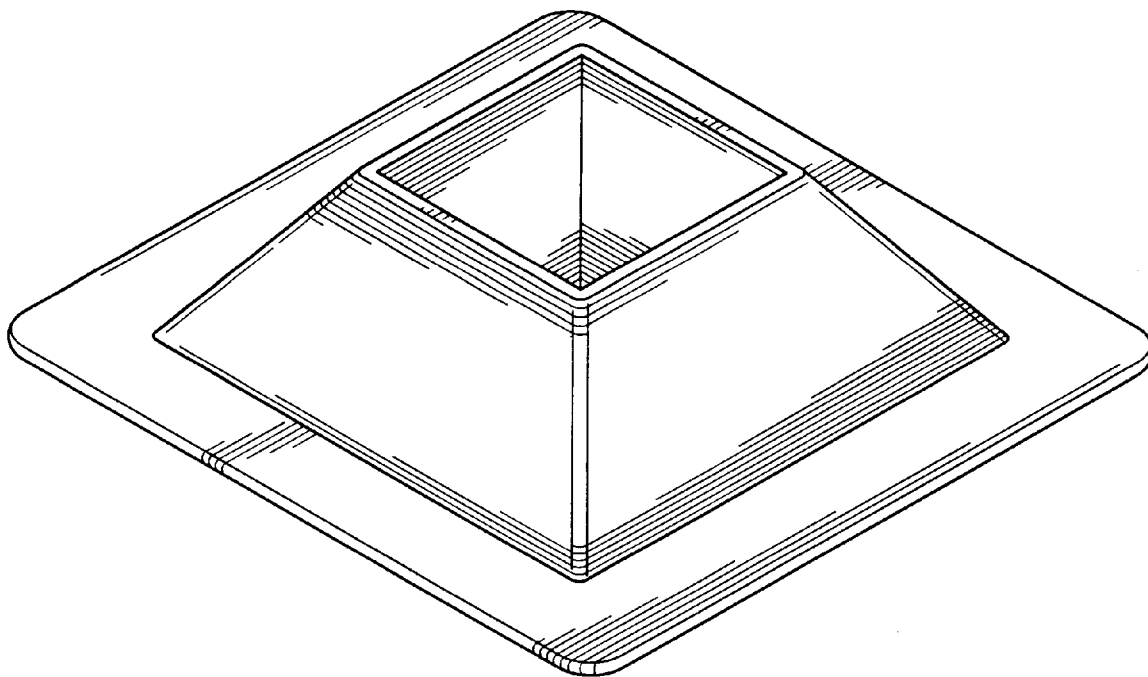
[57] CLAIM

The ornamental design for a “toy building element”, as shown and described.

DESCRIPTION

FIG. 1 is the front perspective view showing my new design;
FIG. 2 is the front view thereof;
FIG. 3 is the left-hand view thereof;
FIG. 4 is the right-hand view thereof;
FIG. 5 is the rear view thereof;
FIG. 6 is the top view thereof; and,
FIG. 7 is the bottom view thereof.

1 Claim, 4 Drawing Sheets



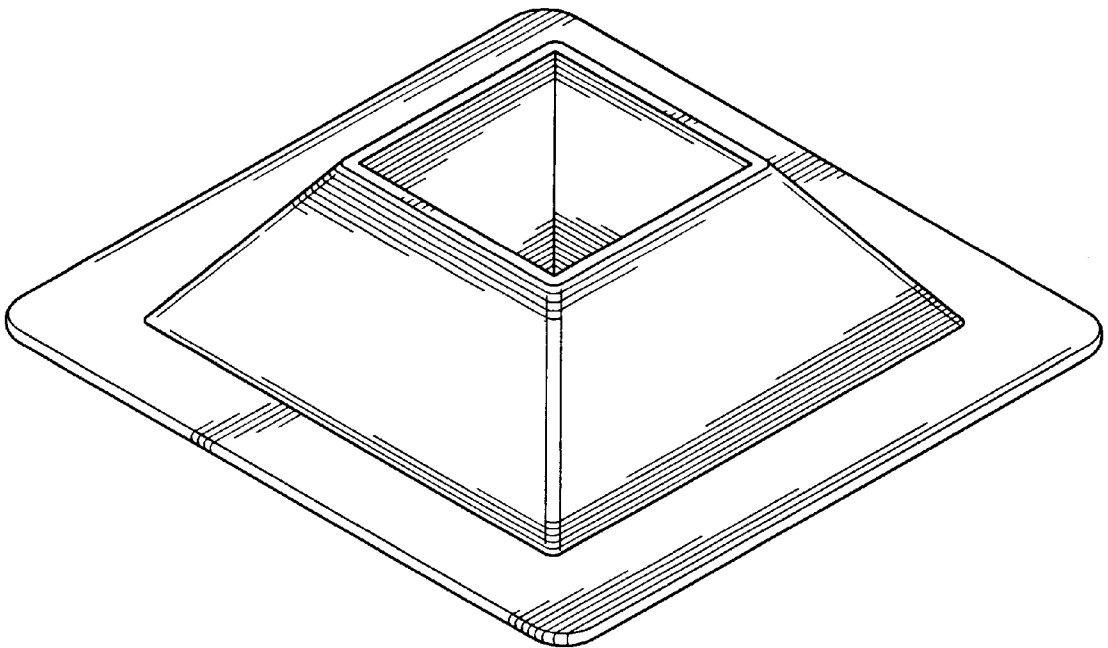


FIG. 1

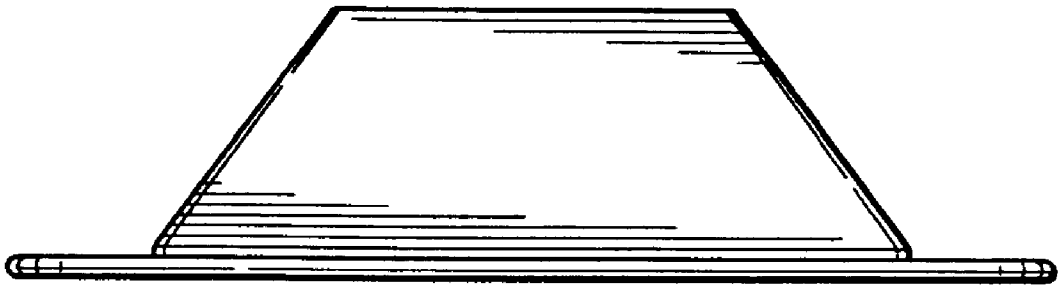


FIG. 2

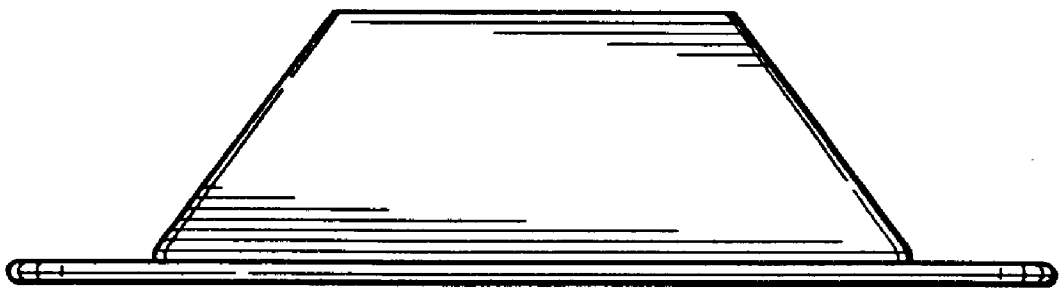


FIG. 3

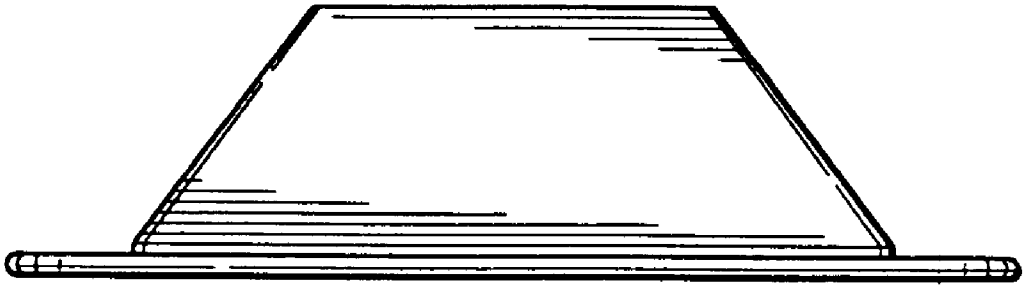


FIG. 4

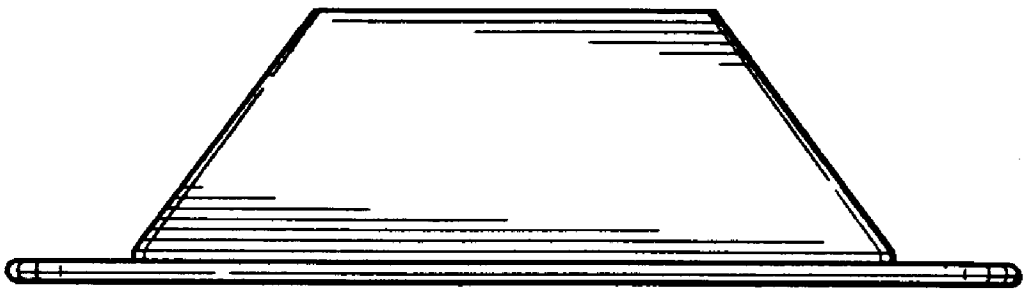


FIG. 5

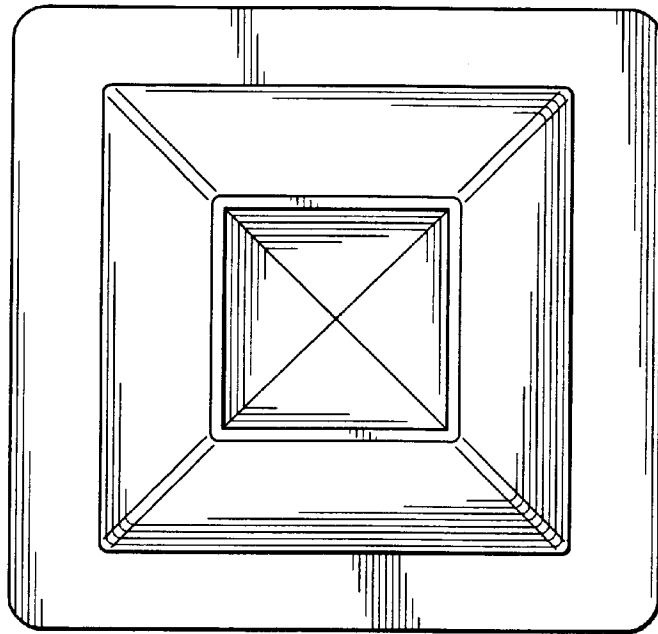


FIG. 6

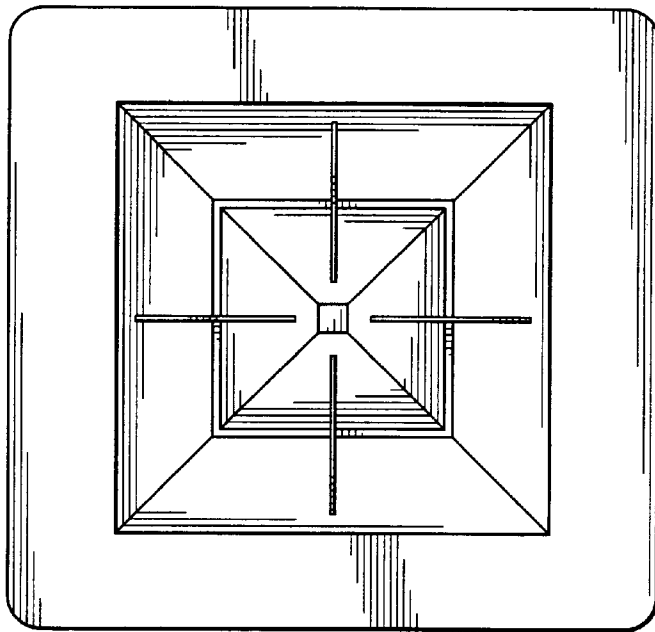


FIG. 7