



US00D805591S

(12) **United States Design Patent**
Miller et al.

(10) **Patent No.:** **US D805,591 S**

(45) **Date of Patent:** **** Dec. 19, 2017**

(54) **BALL RETURN TRAINING DEVICE**

FOREIGN PATENT DOCUMENTS

(71) Applicant: **PRO PERFORMANCE SPORTS, L.L.C.**, Carlsbad, CA (US)

WO 199807477 A1 2/1998
WO 200220099 A1 3/2002

(Continued)

(72) Inventors: **Monica Miller**, Encinitas, CA (US);
Richard Huth, Encinitas, CA (US)

OTHER PUBLICATIONS

(73) Assignee: **PRO PERFORMANCE SPORTS, LLC**, Carlsbad, CA (US)

Park & Sun Pro Rebounder at URL http://www.parksun.com/Sporting_Goods/Outdoor_Games/Target_Games/Rebounder_Series/Pro_Rebounder.html; retrieved on Jan. 3, 2017.

(Continued)

(**) Term: **15 Years**

Primary Examiner — Catherine A Tuttle

(21) Appl. No.: **29/579,137**

(74) *Attorney, Agent, or Firm* — NorthStar Law Group;
Thomas J. Bassolino

(22) Filed: **Sep. 28, 2016**

(51) **LOC (10) Cl.** **21-02**

(52) **U.S. Cl.** **D21/705; D21/698**

(58) **Field of Classification Search**
USPC **D21/302–306, 698–705, 780, 788, 790;**
473/415–496, 172, 173, 197; 273/348,
273/394, 396, 397, 398, 400, 401, 402,
273/406, 407

(57) **CLAIM**

The ornamental design for a ball return training device, as shown and described.

CPC . A63B 63/00; A63B 63/004; A63B 2063/001;
A63B 2063/002; A63B 2063/005; A63B
69/00; A63B 69/0002; A63B 69/0097;
A63B 69/3623; A63B 2069/0006; A63B
2069/3626; A63B 2069/401; A63B
71/0036; A63B 71/022; A63B 2210/50;
A63B 2210/52; A63B 2210/54; A63B
2225/09; A63B 2243/00; A63B
2243/0025

DESCRIPTION

FIG. 1 is a front, right side perspective view showing our new for a ball return training device in a first position; FIG. 2 is a front view thereof; FIG. 3 is a rear view thereof; FIG. 4 is a right side view thereof; FIG. 5 is a left side view thereof; FIG. 6 is a top view thereof; FIG. 7 is a bottom view thereof; FIG. 8 is a front, right side perspective view showing the design in a first alternate (stowed) position; FIG. 9 is a front, right side perspective view showing the design in a second alternate position; and, FIG. 10 is a front, right side perspective view showing the design in a third alternate position.

See application file for complete search history.

The broken lines showing portions of the design are for illustrative purposes only and form no part of the claimed design.

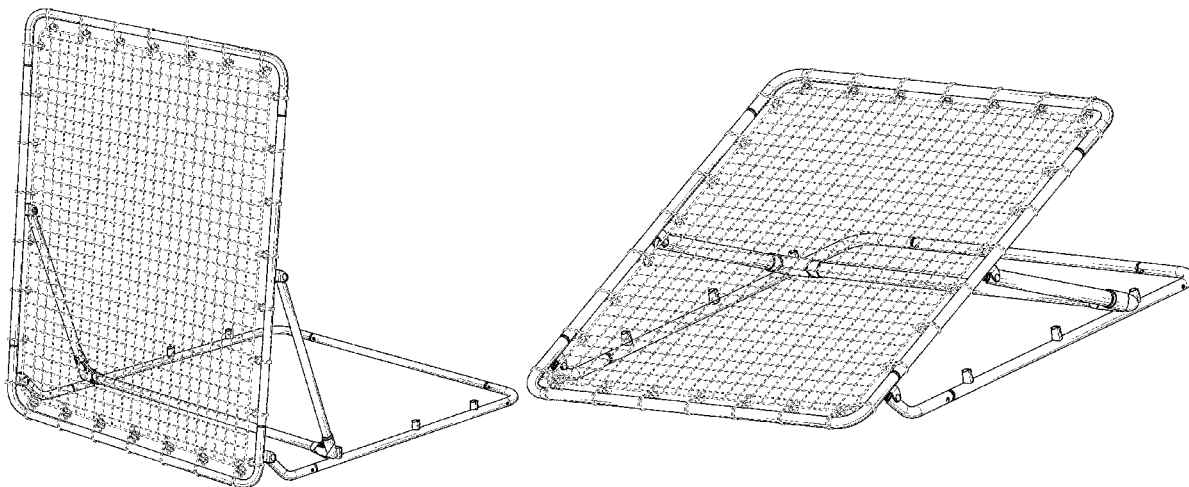
(56) **References Cited**

U.S. PATENT DOCUMENTS

3,427,026 A 2/1969 Mahoney
3,502,330 A 3/1970 Cheffel
3,672,672 A 6/1972 Rubin
3,752,476 A 8/1973 Mahoney

(Continued)

1 Claim, 10 Drawing Sheets



(56)

References Cited

U.S. PATENT DOCUMENTS

- 3,836,144 A 9/1974 Mahoney
 4,082,271 A 4/1978 Martin
 4,239,235 A 12/1980 Torres
 4,421,318 A * 12/1983 Sverdlík A63B 69/0097
 473/476
 4,456,251 A 6/1984 Balaz
 4,489,941 A 12/1984 Shieh
 4,546,984 A 10/1985 Towle et al.
 4,553,751 A 11/1985 Ketchum
 4,905,996 A * 3/1990 Tallent A63B 63/00
 273/401
 5,007,638 A 4/1991 Yükl
 5,039,109 A 8/1991 Mahoney et al.
 5,125,650 A * 6/1992 Paris A63B 21/00047
 482/140
 5,333,856 A * 8/1994 Gery A63B 63/00
 473/454
 D354,992 S * 1/1995 Hinsperger D21/705
 5,407,211 A 4/1995 Bottiglieri
 5,549,304 A * 8/1996 Davis A63B 63/004
 273/396
 5,613,922 A 3/1997 Hsiang
 5,772,537 A 6/1998 Anderson et al.
 5,807,193 A 9/1998 Talarico et al.
 5,833,234 A 11/1998 Vavala et al.
 5,857,679 A 1/1999 Ringe et al.
 5,906,552 A 5/1999 Padilla
 D442,242 S * 5/2001 Rajacich D21/705
 6,357,750 B1 3/2002 Lievens
 D462,733 S * 9/2002 Smith, IV D21/780
 6,739,988 B2 5/2004 Jensen et al.
 6,880,828 B2 4/2005 Liao
 7,021,630 B1 * 4/2006 Cho A63B 63/00
 273/401
 7,959,154 B2 6/2011 Ball
 8,043,172 B2 10/2011 Campanaro et al.
 8,177,651 B2 5/2012 Curry
 8,460,128 B2 6/2013 Elpers
 8,590,901 B2 * 11/2013 Goldwiz A63B 63/00
 273/395
 8,608,170 B2 12/2013 Ball
 9,155,952 B2 10/2015 Yamanashi
 D748,198 S * 1/2016 Nally D21/302
 9,227,126 B2 1/2016 Christgau et al.
 9,266,003 B2 2/2016 Luo
 2003/0060309 A1 3/2003 Smith
 2003/0236139 A1 12/2003 Jensen
 2004/0014537 A1 1/2004 Piras
 2004/0140621 A1 7/2004 Liao
 2004/0178585 A1 * 9/2004 Cosenza A63B 69/0002
 273/454
 2005/0189719 A1 * 9/2005 Goldwiz A63B 63/004
 273/407
 2006/0040770 A1 * 2/2006 Chou A63B 69/0071
 473/433
 2006/0079351 A1 * 4/2006 Brenneke A63B 63/00
 473/439

- 2006/0119045 A1 * 6/2006 Cho A63B 69/0097
 273/396
 2007/0054757 A1 * 3/2007 Will A63B 24/0021
 473/454
 2007/0090601 A1 4/2007 Liao
 2007/0123369 A1 * 5/2007 Cherry A63B 69/40
 473/451
 2008/0067751 A1 * 3/2008 Hunt A63B 63/00
 273/396
 2012/0129633 A1 5/2012 Chen
 2013/0303312 A1 * 11/2013 DeBolt A63B 69/00
 473/446
 2014/0094327 A1 4/2014 Freund
 2014/0171228 A1 6/2014 Holland
 2014/0296002 A1 10/2014 Luo
 2017/0128801 A1 * 5/2017 Stirton A63B 63/00

FOREIGN PATENT DOCUMENTS

- WO 2007025576 A1 3/2007
 WO 2014075377 A1 5/2014
 WO 2015110795 A1 7/2015

OTHER PUBLICATIONS

- Louisville Slugger Quad Pro Rebounder Net at URL <http://www.slugger.com/en-us/baseball/accessories/quad-net-pro-rebounder>;
 retrieved on Jan. 3, 2017.
 Champion Sports Multi-Sport Net Pitch Back Screen at URL <https://www.amazon.com/Champion-Sports-Multi-Sport-Pitch-Screen/dp/B01HMWECC0>; retrieved on Jan. 3, 2017.
 Easton Adjustable Trainer at URL <http://www.easton.com/baseball/playback-elite>, retrieved on Jan. 3, 2017.
 Franklin Sports MLB Flyback at <http://franklinsports.com/mlb-flyback-multi-position-return-trainer>; retrieved on Jan. 3, 2017.
 Franklin Sports MLB Deluxe Infinite Angle Return Trainer at URL <https://www.amazon.com/Franklin-Sports-Infinite-Trainer-52-Inch/dp/B002Y0IYRU>; retrieved on Jan. 4, 2017.
 PRIMED 2-in-1 Target Rebound Trainer at URL <https://www.amazon.com/PRIMED-2-in-1-Target-Rebound-Trainer/dp/B00XCJLW30>; retrieved on Jan. 3, 2017.
 SKLZ Shockwave Baseball Pitchback at URL <https://www.amazon.com/sklz-shockwave-baseball-pitchback-rebounder/dp/b00bgob2si>; retrieved on Jan. 3, 2017.
 Rukket Multi Sport Rebounder Training Screen at URL <http://www.rukket.com/products/rukket-4x7ft-baseball-and-softball-rebounder-pitch-back-training-screen-with-lifetime-warranty>; retrieved Jan. 3, 2017.
 Goalrilla Spring Trainer at URL <http://www.goalrilla.com/training-equipment/spring-trainer>; retrieved Jan. 3, 2017.
 Tekk Trainer Rebounder Goal at URL <http://tekk.com/>; retrieved Jan. 3, 2017.

* cited by examiner

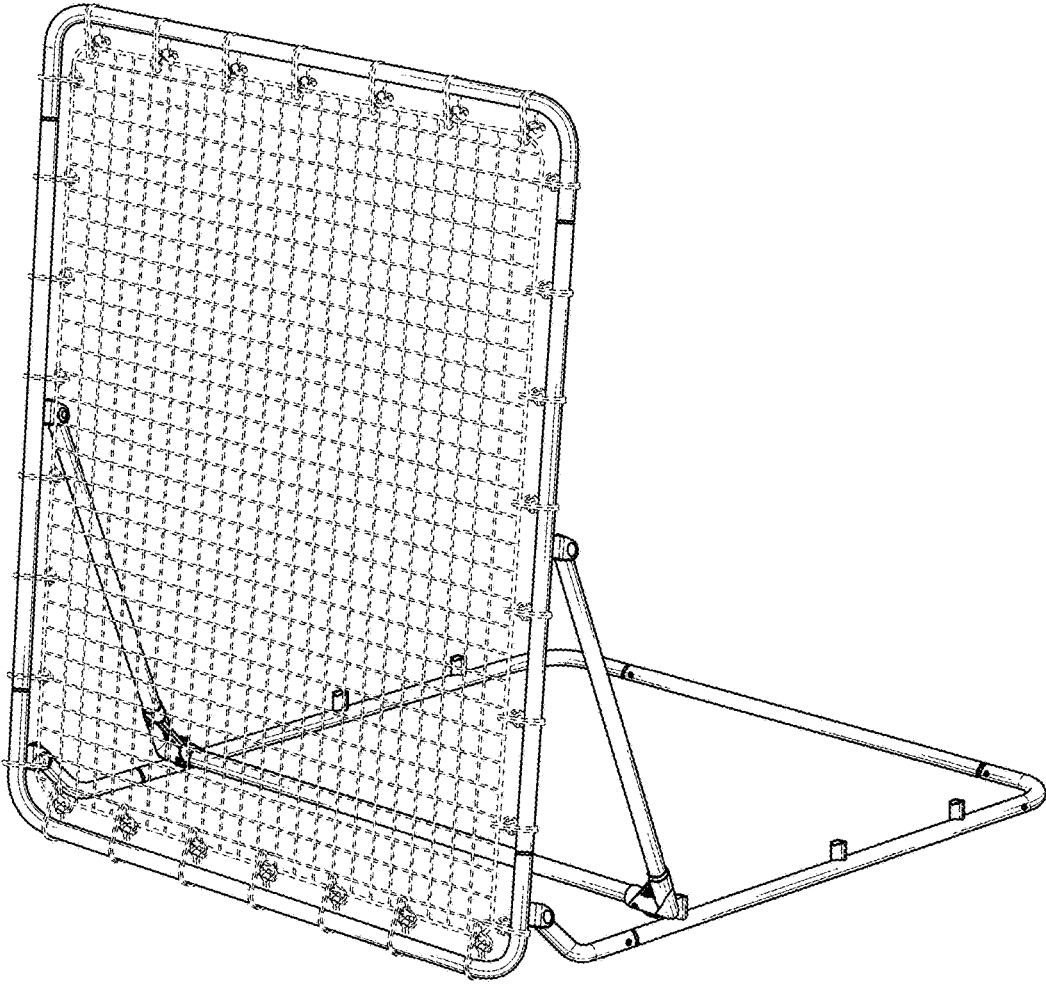


FIG. 1

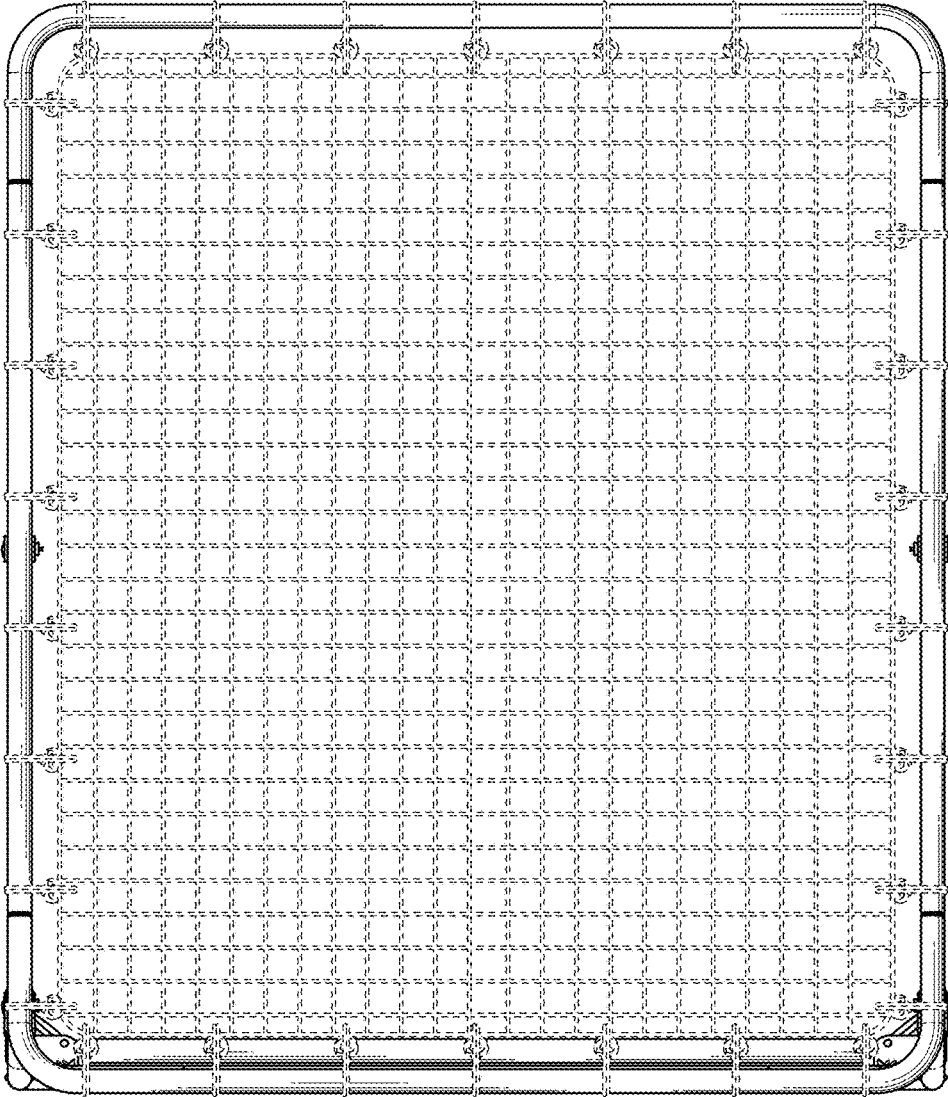


FIG. 2

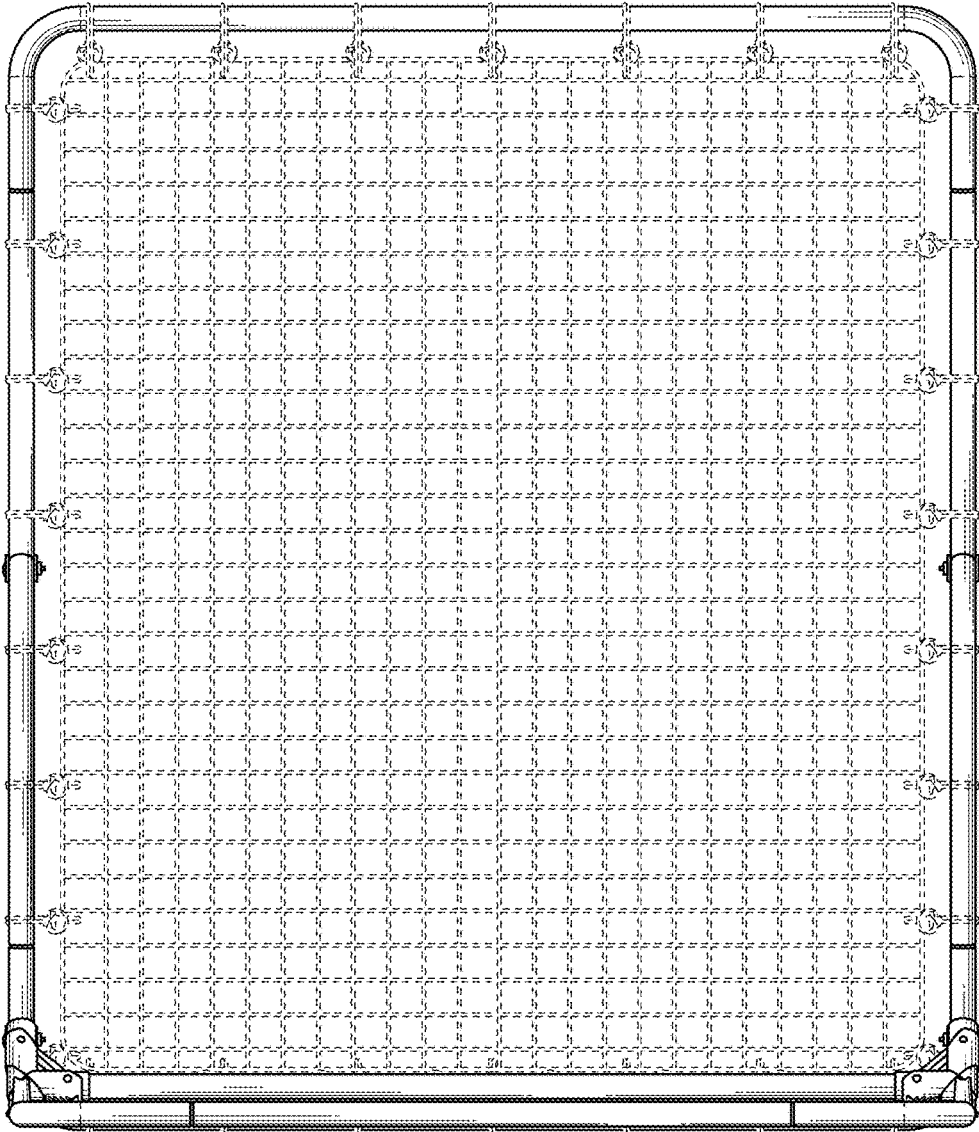


FIG. 3

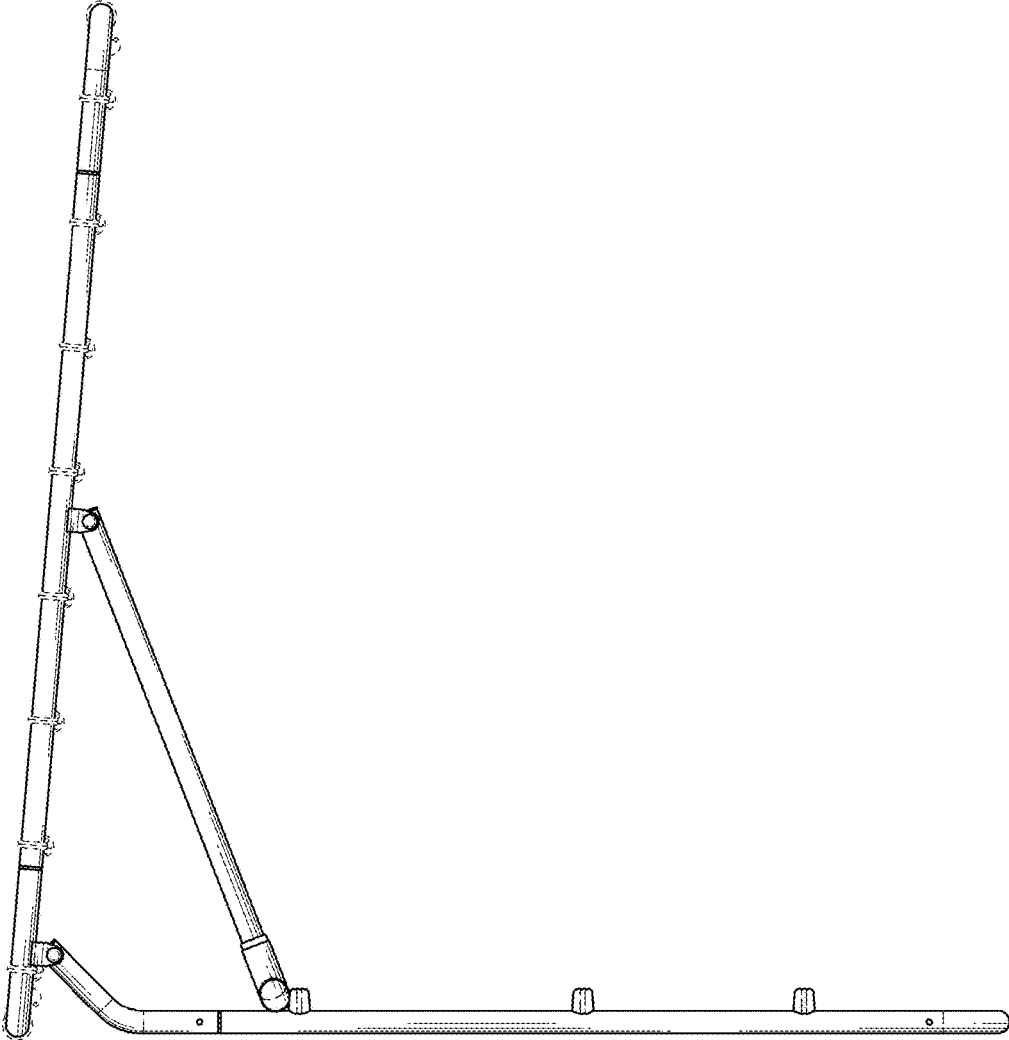


FIG. 4

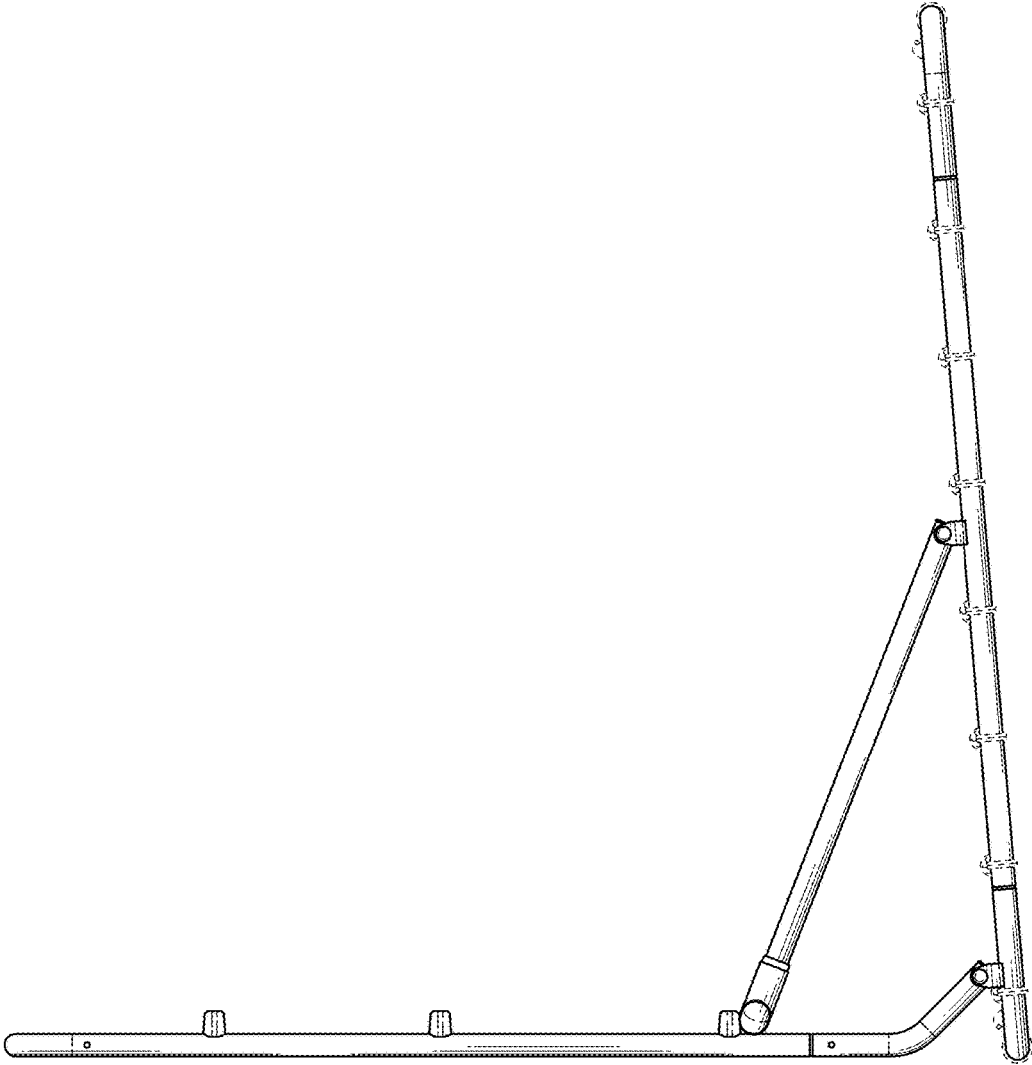


FIG. 5

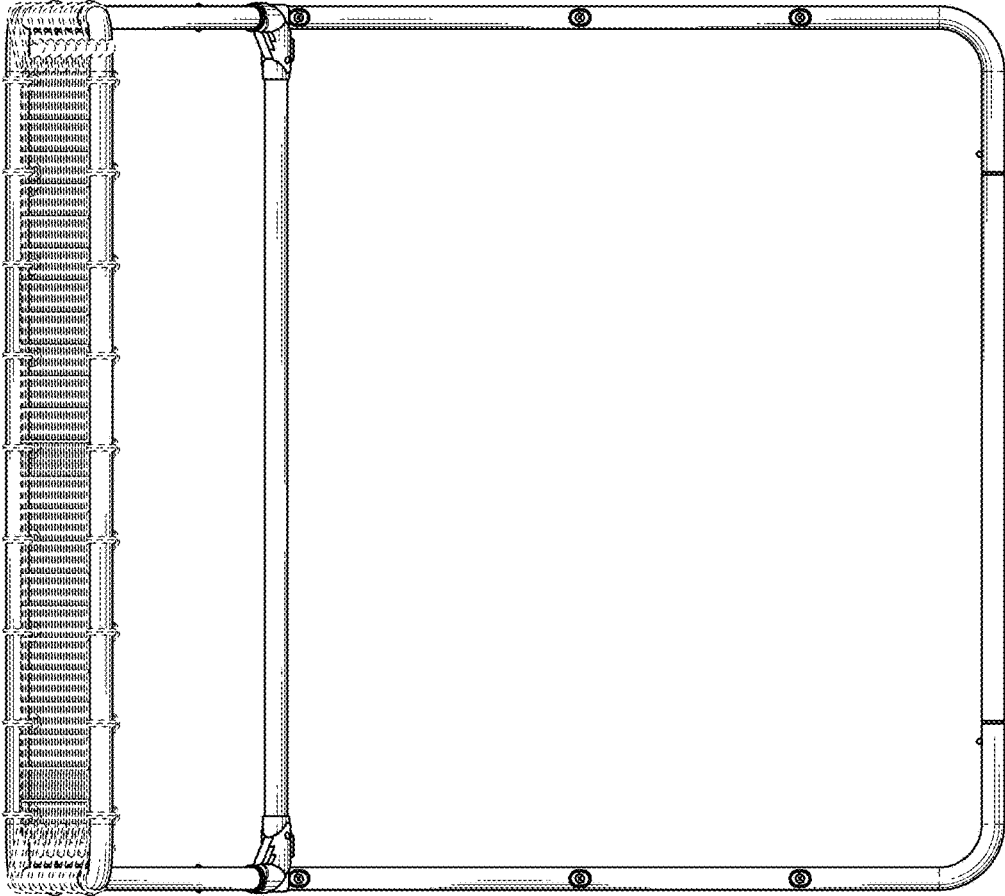


FIG. 6

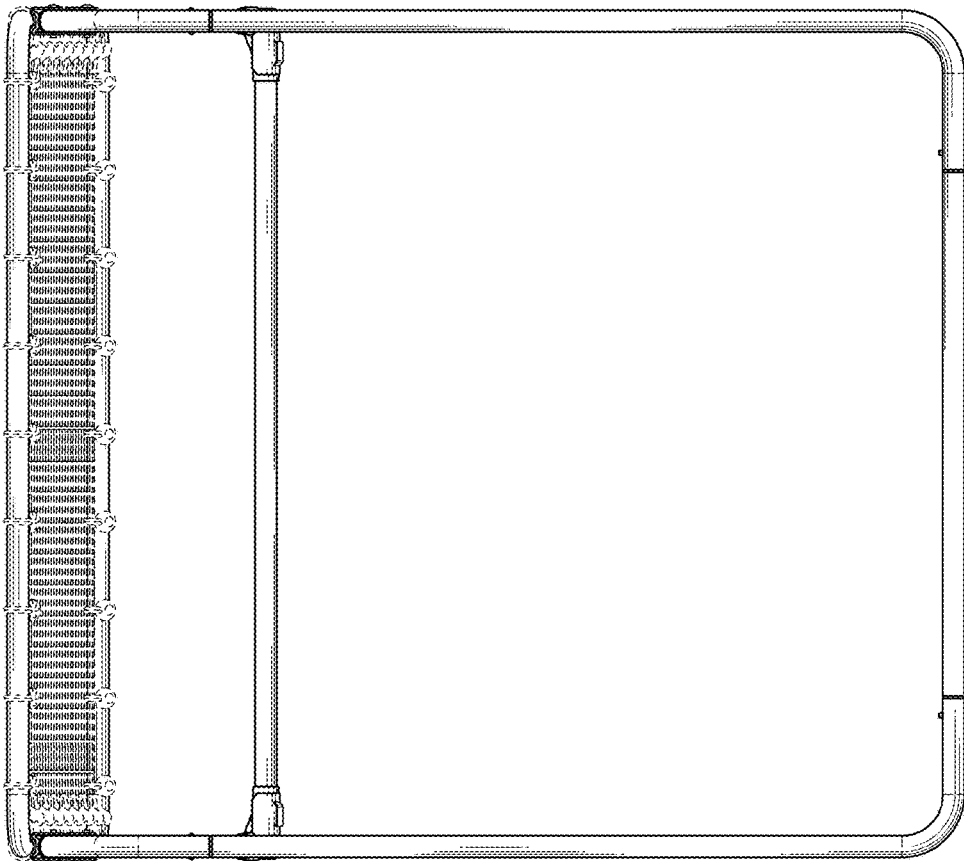


FIG. 7

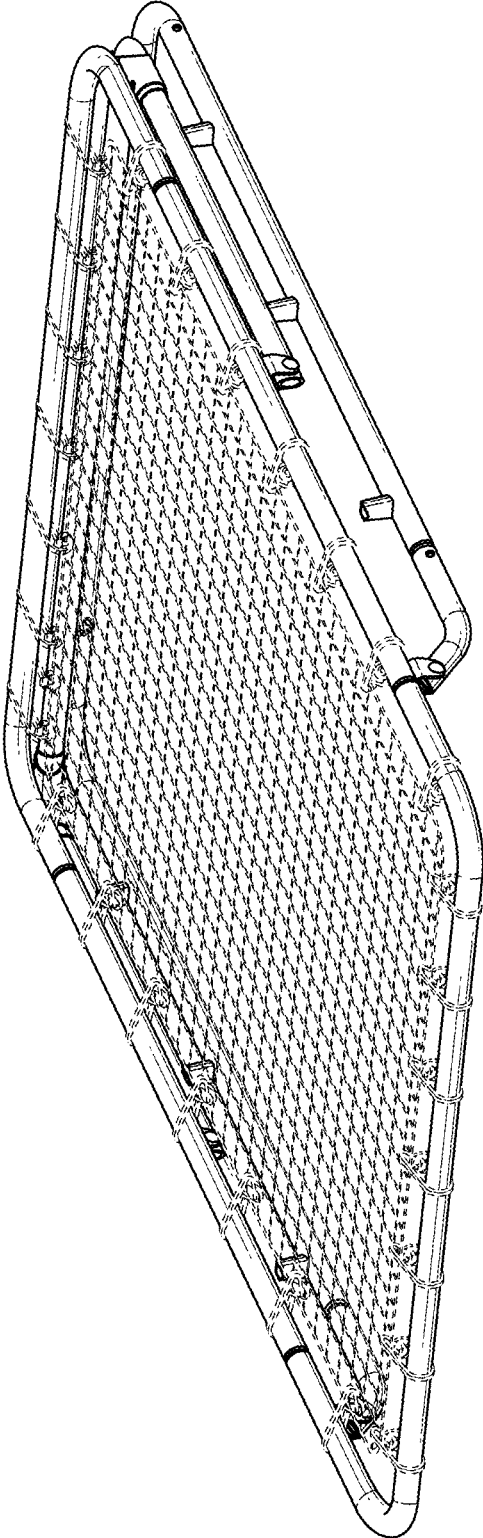


FIG. 8

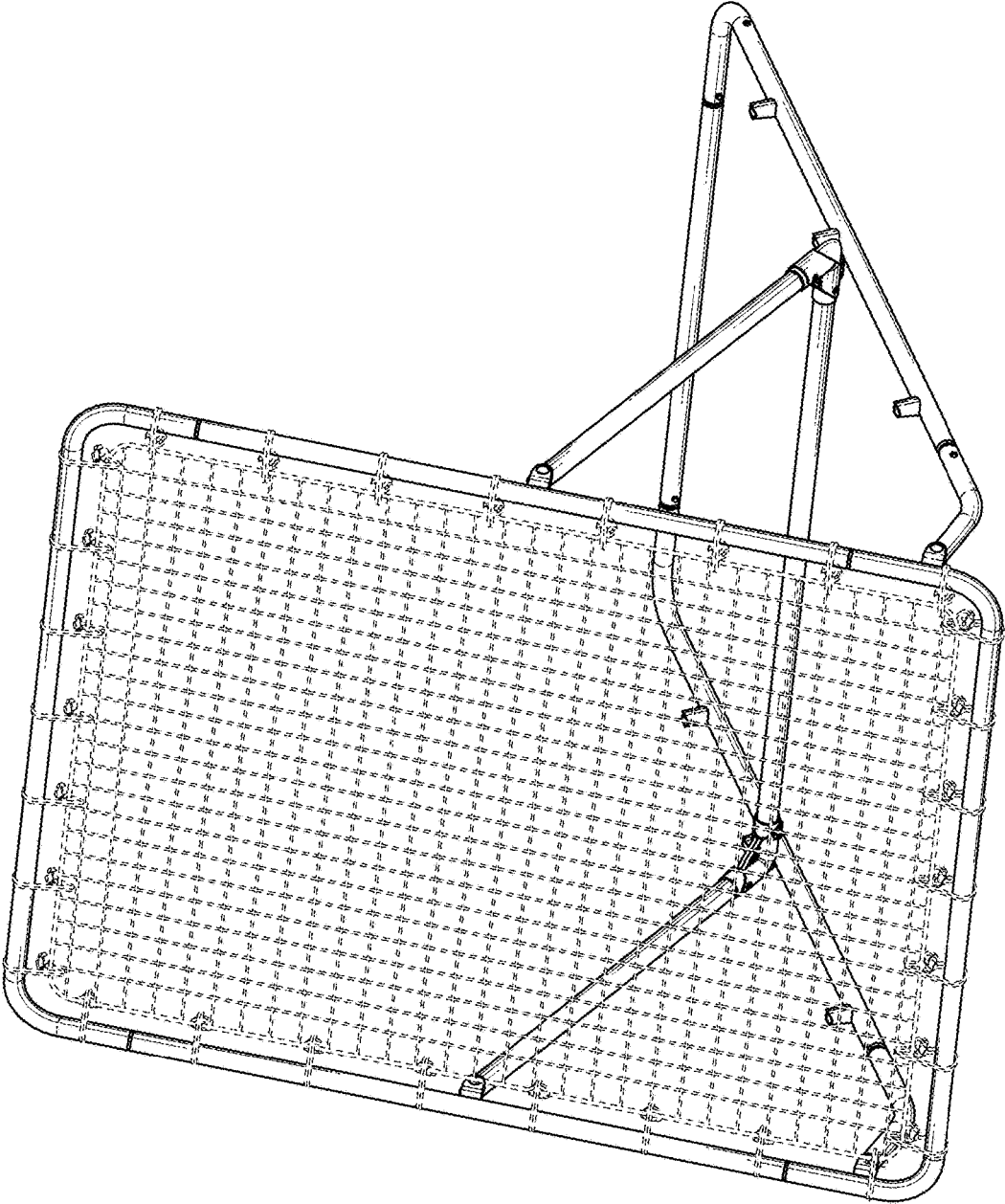


FIG. 9

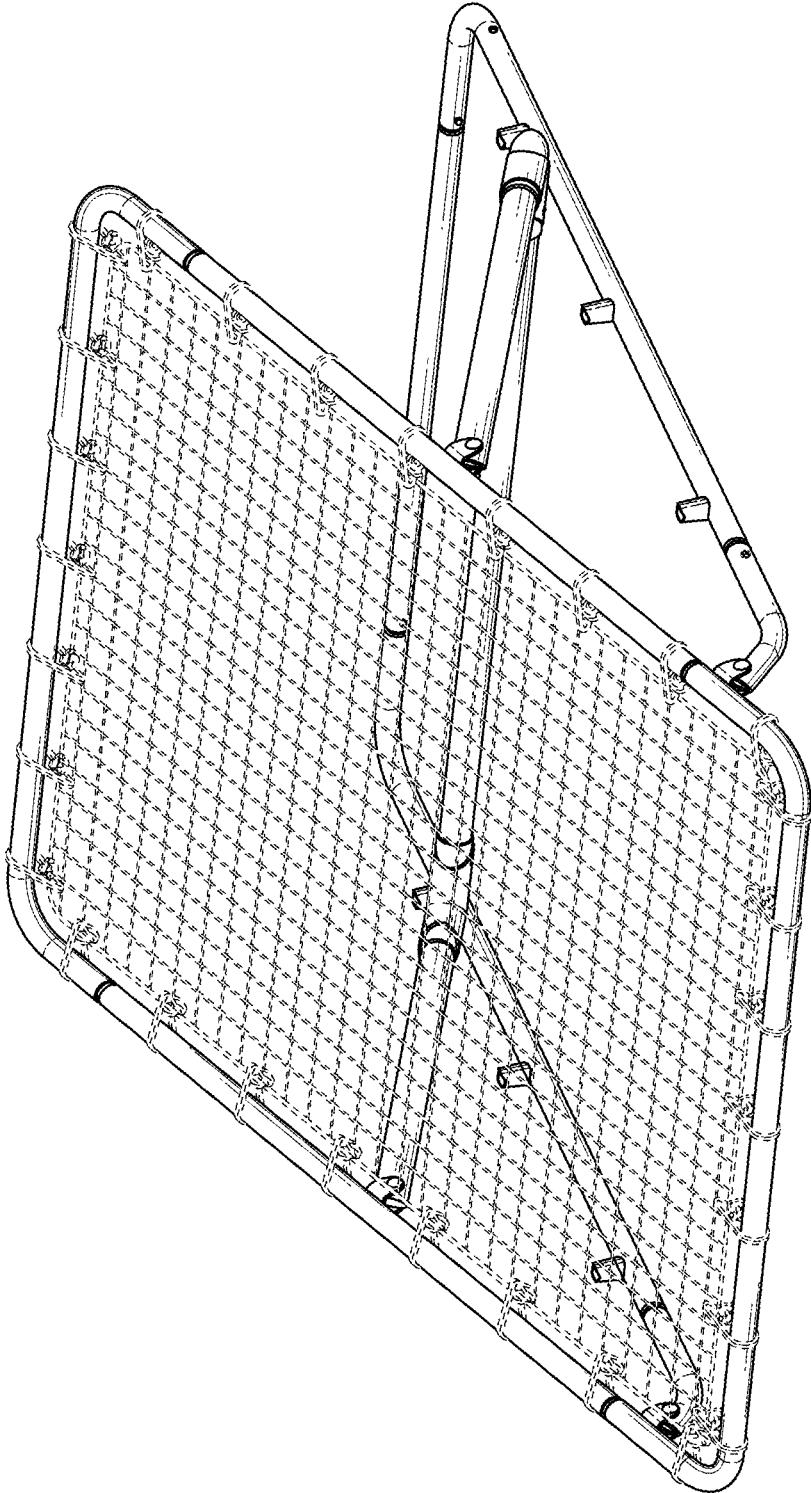


FIG. 10