



US00D394486S

United States Patent [19]
O'Neill

[11] **Patent Number:** **Des. 394,486**
[45] **Date of Patent:** ****May 19, 1998**

[54] **FISHING ROD HOLDER**
[76] **Inventor:** **Paul Roy O'Neill**, 20 Gays Grove,
Devon North, Victoria, Australia. 3971
[**] **Term:** **14 Years**

4,586,688	5/1986	Hartman et al.	43/21.2 X
4,901,970	2/1990	Moss et al.	43/21.2 X
5,321,904	6/1994	Benson	43/21.2
5,344,115	9/1994	Mayne et al.	248/534
5,519,959	5/1996	Cross	43/21.2
5,632,112	5/1997	Steinborn	43/21.2

[21] **Appl. No.:** **60,062**
[22] **Filed:** **Sep. 20, 1996**

Primary Examiner—Doris V. Coles
Attorney, Agent, or Firm—Shlesinger Arkwright & Gavey
LLP

[30] **Foreign Application Priority Data**
Mar. 25, 1996 [AU] Australia 901/96
[51] **LOC (6) Cl.** **22-05**
[52] **U.S. Cl.** **D22/147**
[58] **Field of Search** D22/147; 43/21.2;
248/518, 534

[57] **CLAIM**

The ornamental design for fishing rod holder, as shown and described.

DESCRIPTION

FIG. 1 is a perspective view of fishing rod holder showing my new design;
FIG. 2 is a top plan view thereof;
FIG. 3 is a front elevational view thereof;
FIG. 4 is a right side elevational view thereof;
FIG. 5 is a left side elevational view thereof; and,
FIG. 6 is a rear elevational view thereof.

[56] **References Cited**
U.S. PATENT DOCUMENTS
D. 306,396 3/1990 Brushaber D22/147 X
2,632,616 3/1953 Heistand 248/518 X
3,612,454 10/1971 Linn 248/518 X
4,485,578 12/1984 Novex 248/534 X

1 Claim, 3 Drawing Sheets

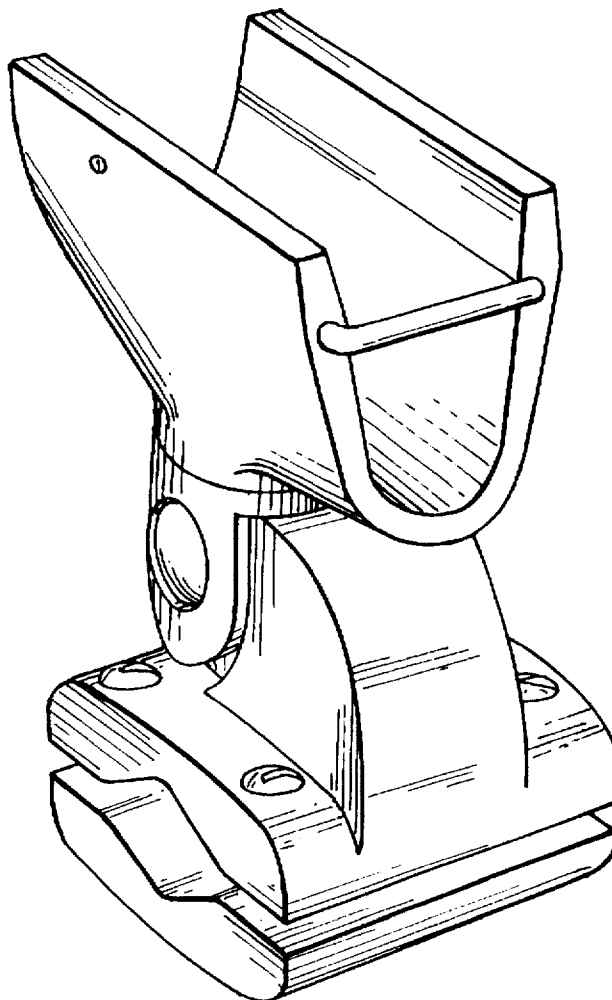


FIG. 1.

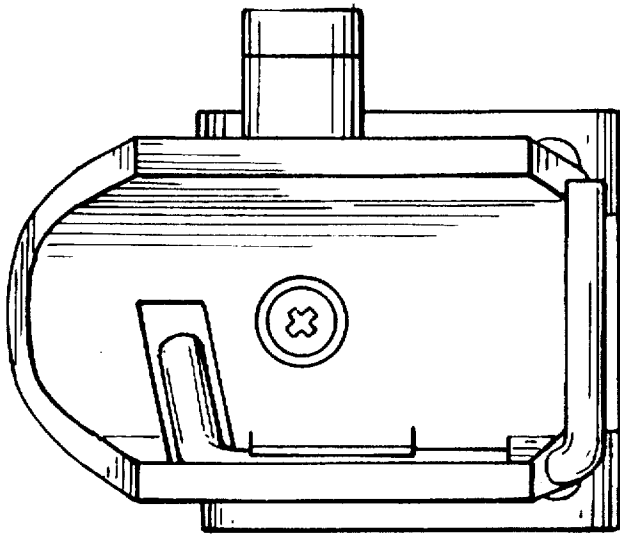
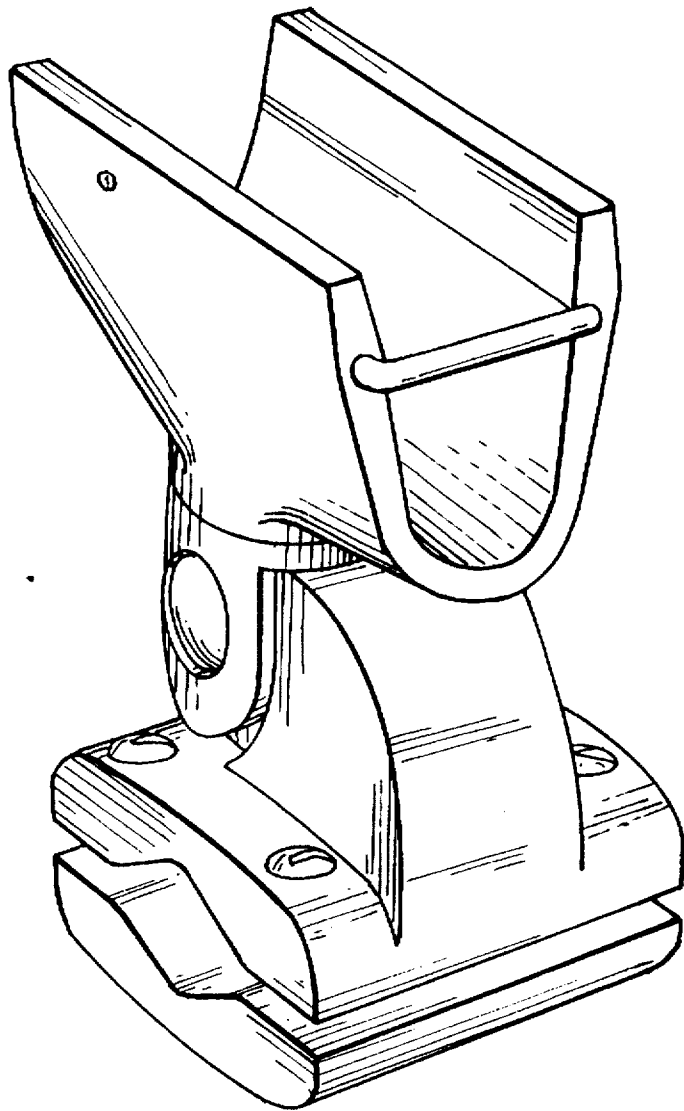


FIG. 2.

