

(12) **UK Patent Application** (19) **GB** (11) **2582523** (13) **A**

(43) Date of Reproduction by UK Office **23.09.2020**

(21) Application No: **2009081.7**

(22) Date of Filing: **30.11.2017**

Date Lodged: **15.06.2020**

(86) International Application Data:
PCT/US2017/063912 En 30.11.2017

(87) International Publication Data:
WO2019/108192 En 06.06.2019

(51) INT CL:
B65D 71/12 (2006.01) **A47K 10/42** (2006.01)
B65D 5/36 (2006.01) **B65D 75/00** (2006.01)
B65D 77/00 (2006.01)

(56) Documents Cited:
WO 2010/048357 A1 **US 20120138489 A1**
US 20110147239 A1

(58) Field of Search:
INT CL **A47K, B65D**
Other: **FAMPAT, IncoPat**

(71) Applicant(s):
Kimberly-Clark Worldwide, Inc.
2300 Winchester Road, Neenah 54956, WI,
United States of America

(72) Inventor(s):
Brandon Mark Hokanson

(74) Agent and/or Address for Service:
Dehns
St. Bride's House, 10 Salisbury Square, LONDON,
EC4Y 8JD, United Kingdom

(54) Title of the Invention: **Dual end-cap bundle of stacked consumer products**
Abstract Title: **Dual end-cap bundle of stacked consumer products**

(57) A bundle of a stack of at least two consumer products is disclosed. The stack has opposite front and back faces spaced apart in a depth dimension, opposite top and bottom faces spaced apart in a height dimension, and opposite first and second end faces spaced apart in a length dimension. The bundle has a dual-cap bundling member that has a first end-cap that cups the stack at the first end-face, a second end-cap that cups the stack at the second end-face, and a bridge that integrally connects the first and second end-caps and that is superposed over the top face. The dual-cap bundling member is formed from a rigid substrate. The first end-cap and the second end-cap are not connected to each other via the rigid substrate other than by the bridge.

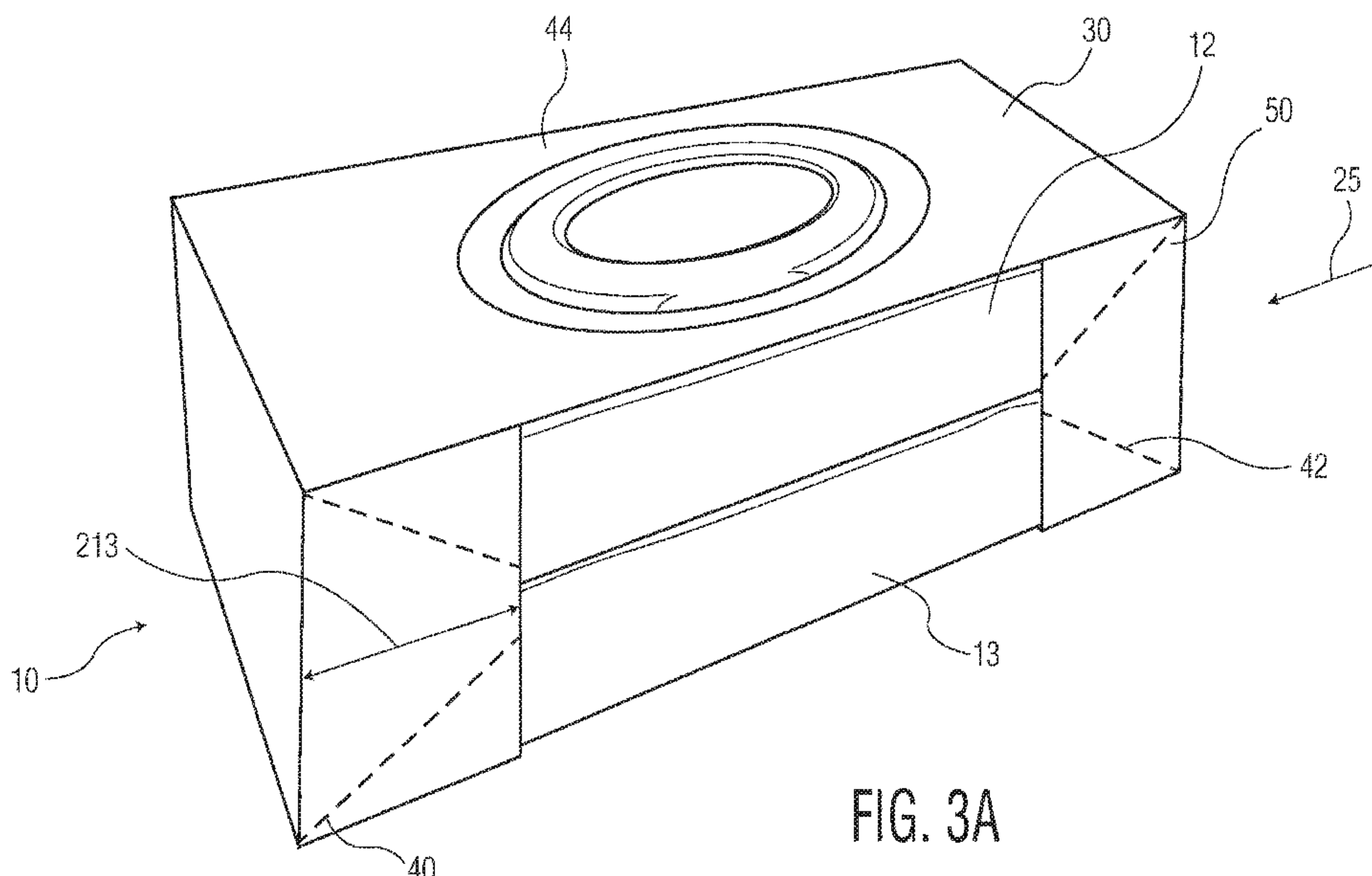


FIG. 3A

GB 2582523 A