



US00D359811S

United States Patent [19]

[11] Patent Number: **Des. 359,811**

Nerison

[45] Date of Patent: **** Jun. 27, 1995**

[54] **CONCRETE BLOCK**

4,738,059	4/1988	Dean, Jr. .	
4,798,499	1/1989	Yamada	405/284
4,802,320	2/1989	Forsberg	52/607

[76] Inventor: **Robert N. Nerison**, 419 W. 104th St.,
Bloomington, Minn. 55420

[**] Term: **14 Years**

[21] Appl. No.: **8,694**

[22] Filed: **May 24, 1993**

[52] U.S. Cl. **D25/118**

[58] Field of Search D25/112, 115, 118, 151;
52/596, 602, 607-609; 405/284, 286

[56] **References Cited**

U.S. PATENT DOCUMENTS

D. 136,928	12/1943	Esson	52/607
D. 298,463	11/1988	Forsberg .	
D. 305,574	1/1990	Sakata .	
D. 311,444	10/1990	Forsberg .	
D. 316,904	5/1991	Forsberg	D25/114
1,534,060	4/1925	Dexter .	
2,061,631	11/1936	Lan	405/284
2,881,613	4/1959	Taylor et al. .	

OTHER PUBLICATIONS

Balcon, Inc. brochure page, dated 1984, top left side of page stone labeled 4.

Primary Examiner—Doris Clark

[57] **CLAIM**

The ornamental design for a concrete block, as shown.

DESCRIPTION

FIG. 1 is a front perspective of a concrete block cast with a concave-convex decorative face;
 FIG. 2 is a rear perspective of a concrete block cast with a concave-convex decorative face;
 FIG. 3 is a front perspective of a concrete block with a cleaved decorative face bounded by concave cast portions; and,
 FIG. 4 is a rear perspective of a concrete block with a cleaved decorative face bounded by concave cast portions.

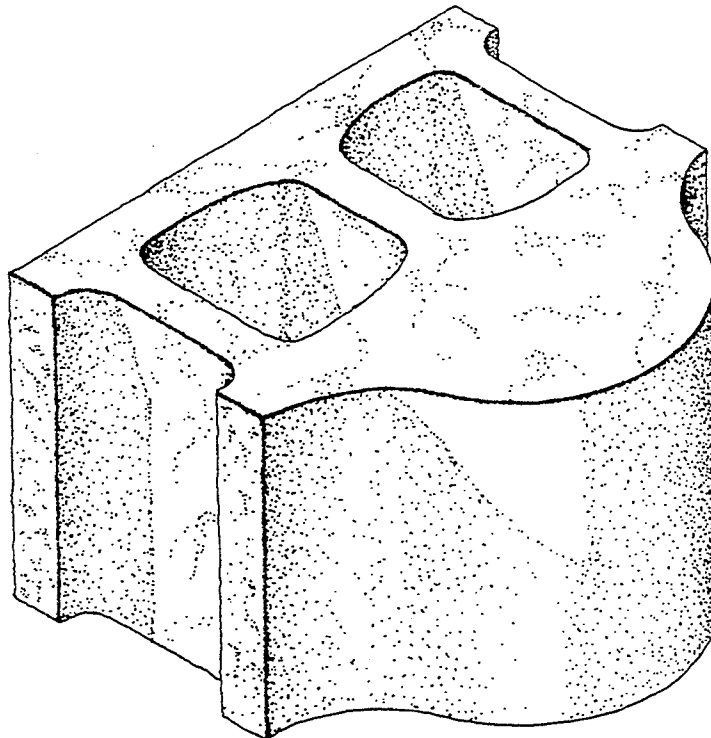


Fig.1

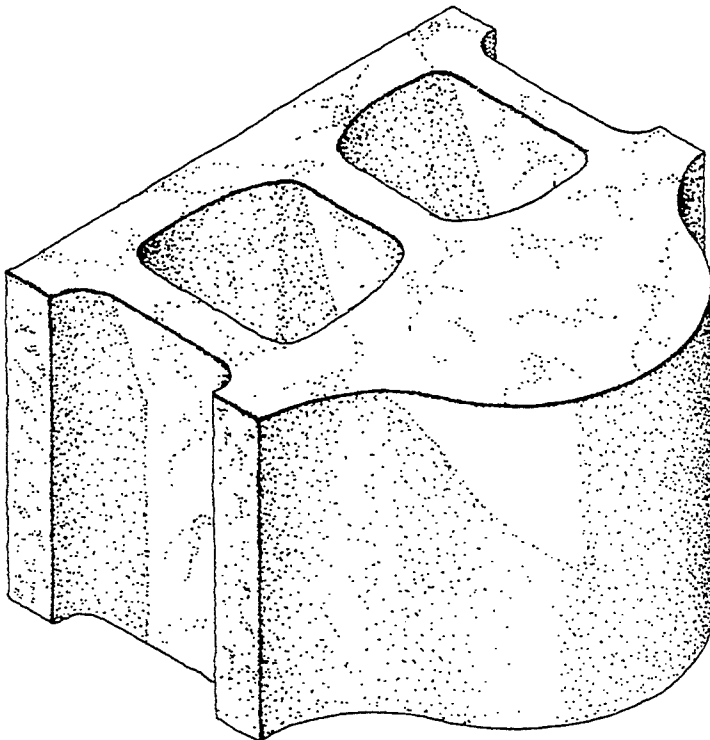


Fig.2

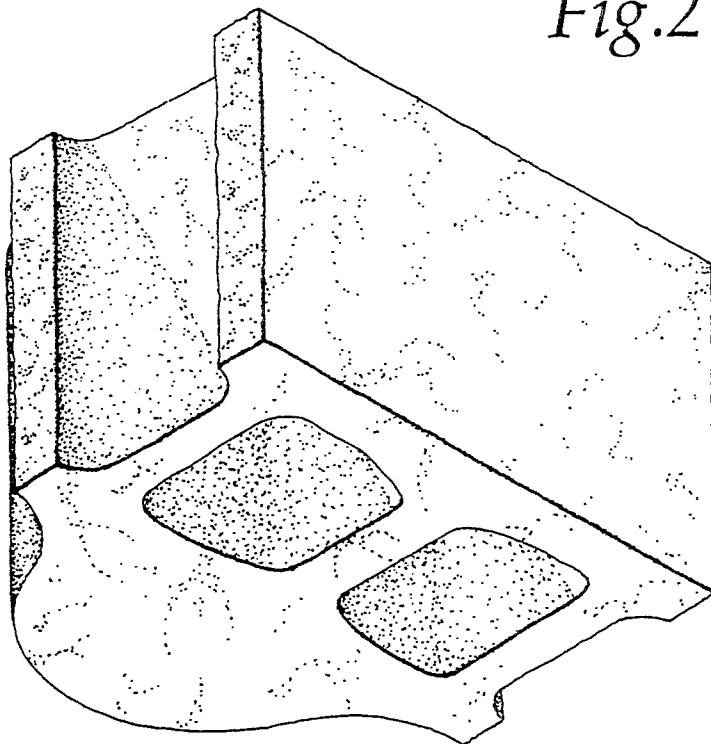


Fig.3

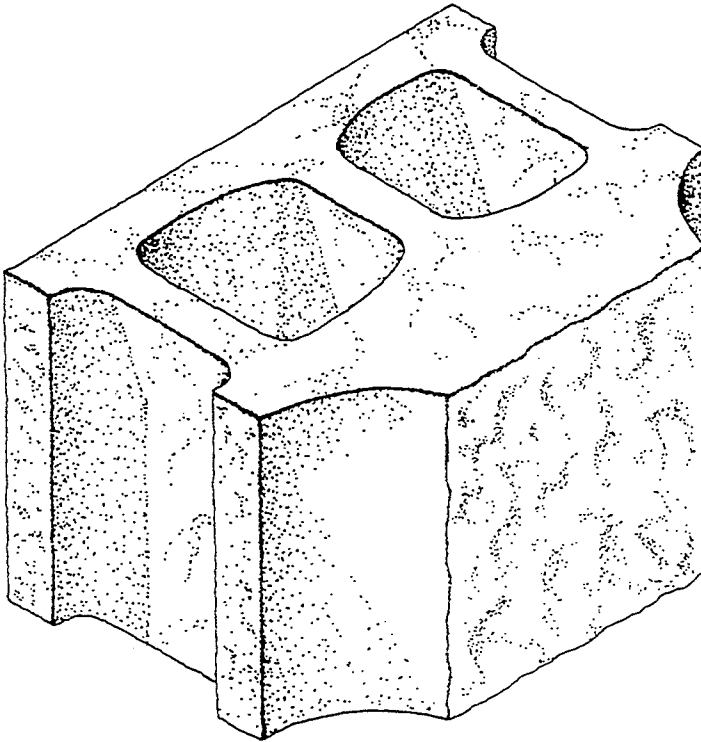


Fig.4

