



US00D520084S

(12) **United States Design Patent**
McVay et al.

(10) **Patent No.:** **US D520,084 S**

(45) **Date of Patent:** **** May 2, 2006**

(54) **EXERCISE DEVICE**

6,575,844 B1 * 6/2003 Gray 473/277

(75) Inventors: **John McVay**, Canton, OH (US); **Jane Kmatz**, Louisville, OH (US); **Detlev F. Smith**, Fairlawn, OH (US); **Wu San Ching**, Chonburi (TH)

OTHER PUBLICATIONS

Aerobic Lounge product, seven (7) still photographs from promotional video from Wenco Inc.; Applicant became aware of product on or about May,2002.

(73) Assignee: **Fitness Quest Inc.**, Canton, OH (US)

* cited by examiner

(**) Term: **14 Years**

Primary Examiner—Philip S. Hyder

(21) Appl. No.: **29/220,836**

(74) *Attorney, Agent, or Firm*—Benesch, Friedlander, Coplan & Aronoff, LLP

(22) Filed: **Jan. 7, 2005**

(57) **CLAIM**

(51) **LOC (8) Cl.** **21-02**

What is claimed is the ornamental design for an exercise device, as shown and described.

(52) **U.S. Cl.** **D21/687**; D21/690

(58) **Field of Classification Search** D21/662,
D21/686, 687, 690; 482/140, 142, 129, 95,
482/96

DESCRIPTION

See application file for complete search history.

FIG. 1 is a perspective view of an exercise device illustrating the new design;

FIG. 2 is a front elevational view thereof;

FIG. 3 is a right side elevational view thereof;

FIG. 4 is a top plan view thereof;

FIG. 5 is a bottom plan view thereof;

FIG. 6 is a left side elevational view thereof; and,

FIG. 7 is a rear elevational view thereof.

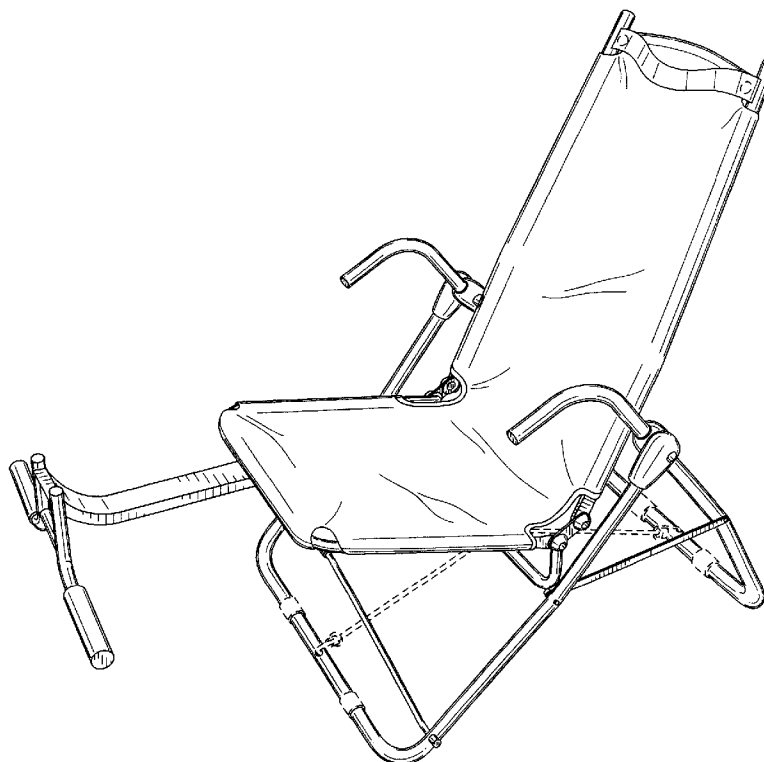
The components of the exercise device shown in broken lines are for illustrative purposes only and form no part of the claimed design.

(56) **References Cited**

U.S. PATENT DOCUMENTS

5,545,114	A	*	8/1996	Gvoich	482/140
5,665,041	A	*	9/1997	Hsieh	482/140
5,681,250	A		10/1997	Hoover et al.		
5,702,334	A	*	12/1997	Lee	482/140
5,833,590	A	*	11/1998	Chiu et al.	482/142
6,168,557	B1	*	1/2001	Liao	482/140
6,206,809	B1	*	3/2001	Habing et al.	482/96
6,544,154	B1	*	4/2003	Forcillo	482/142

1 Claim, 7 Drawing Sheets



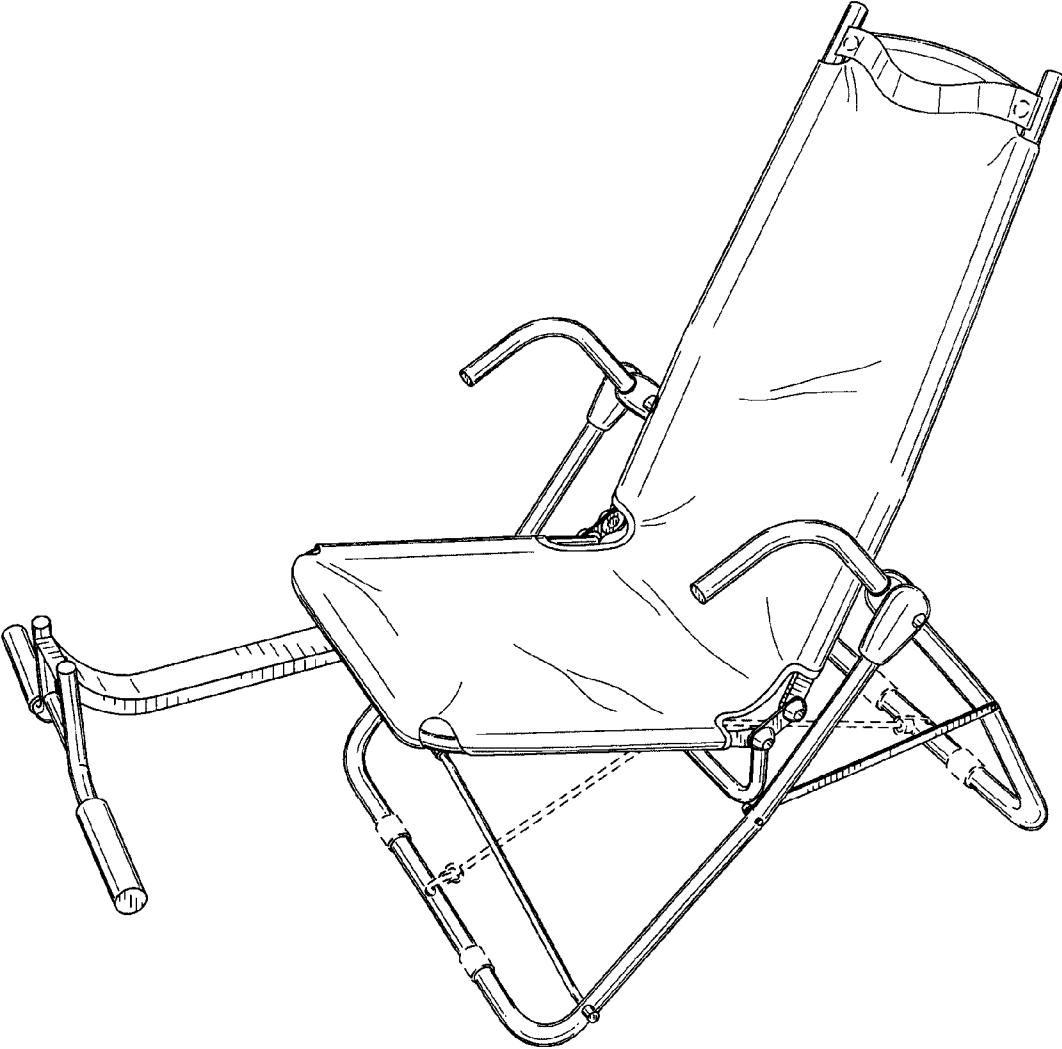


FIG. 1

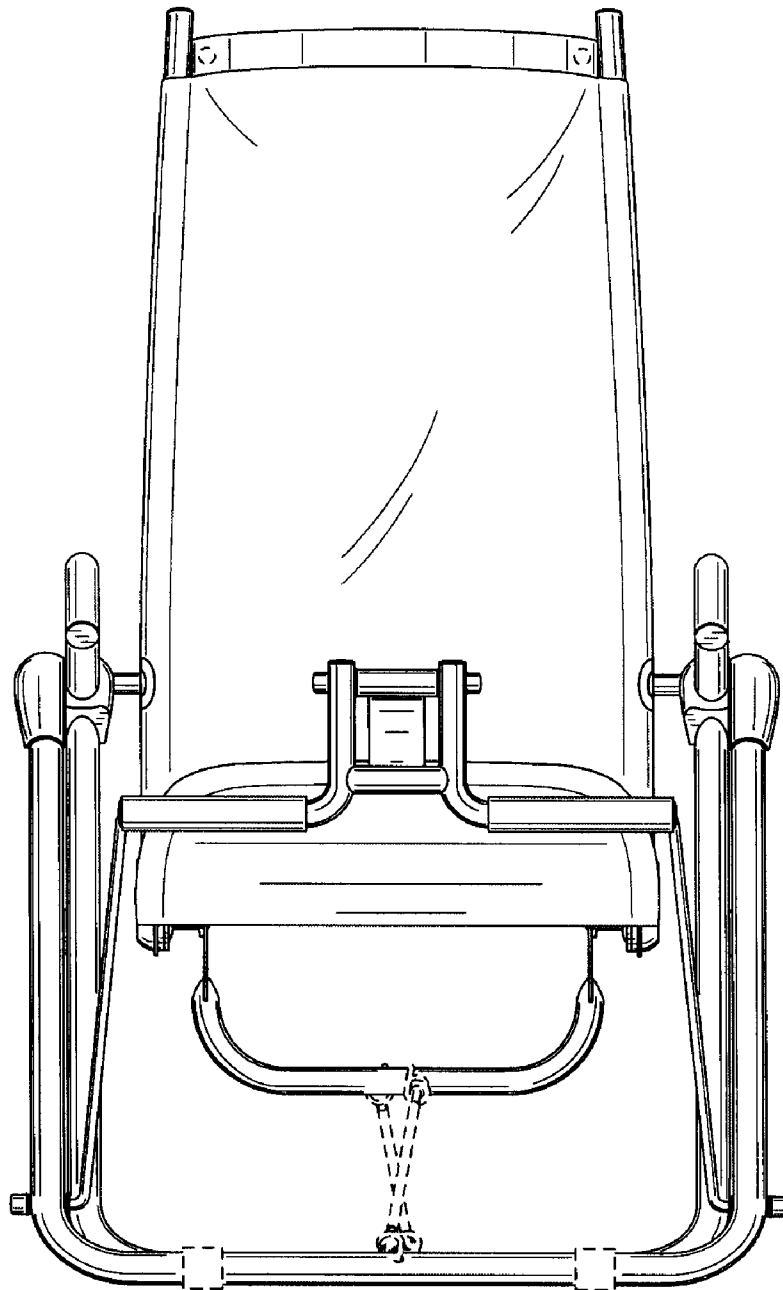


FIG. 2

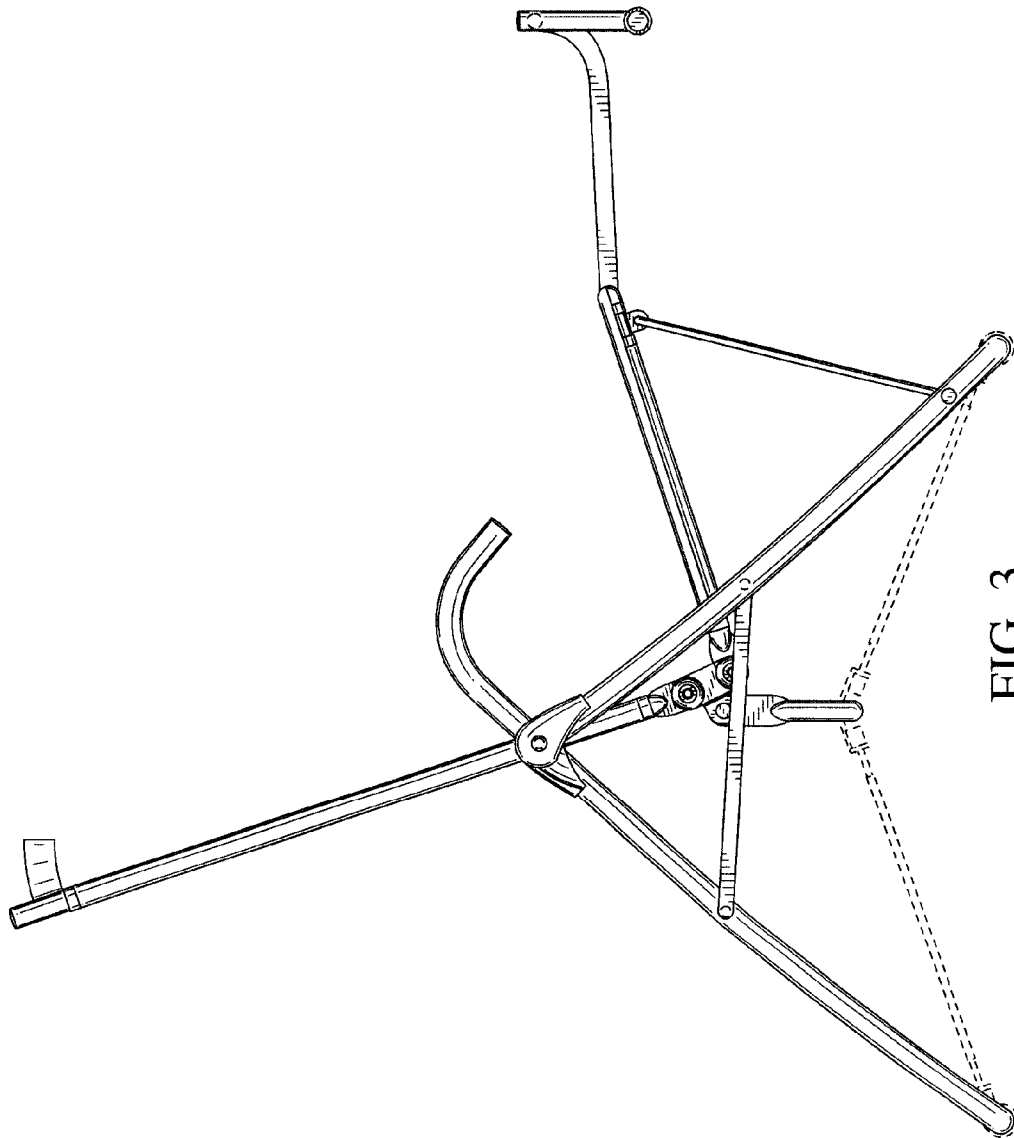


FIG. 3

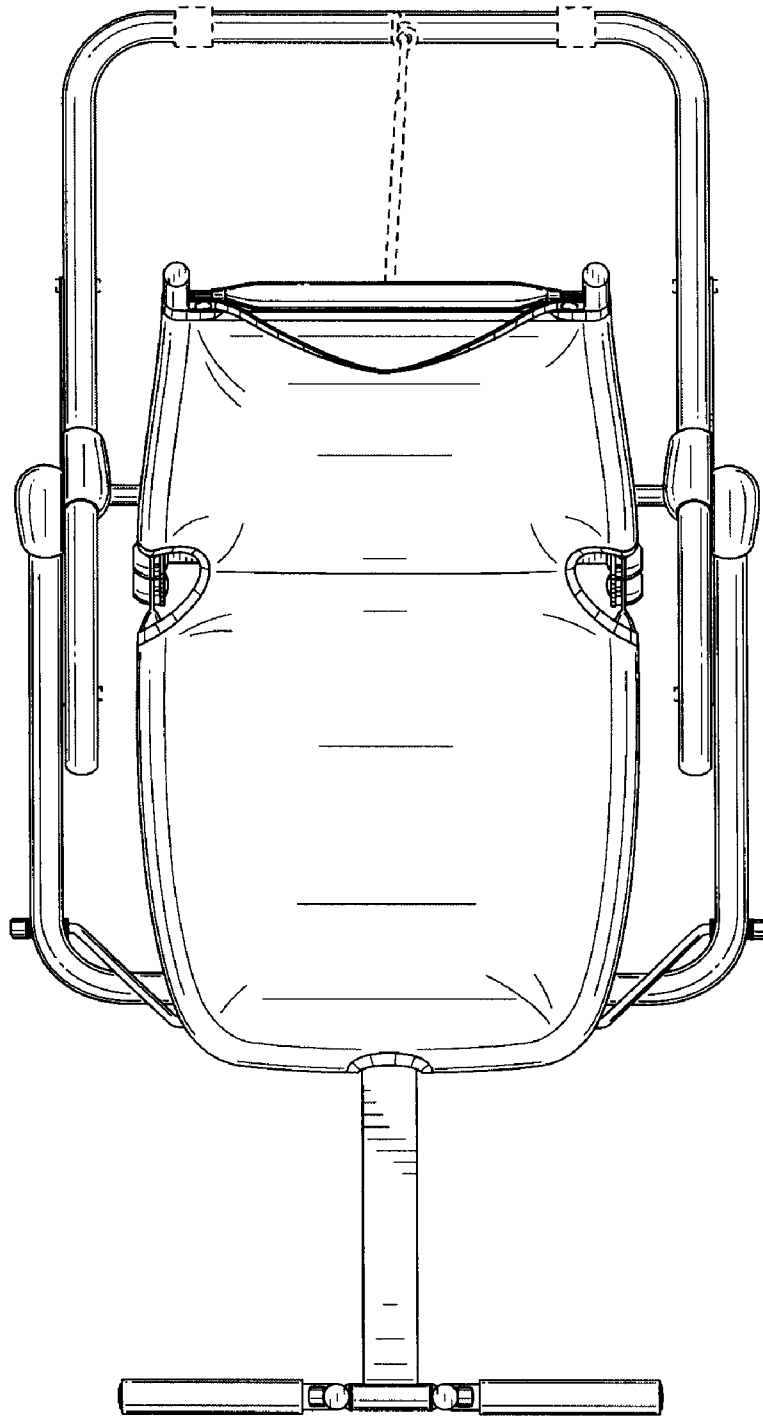


FIG. 4

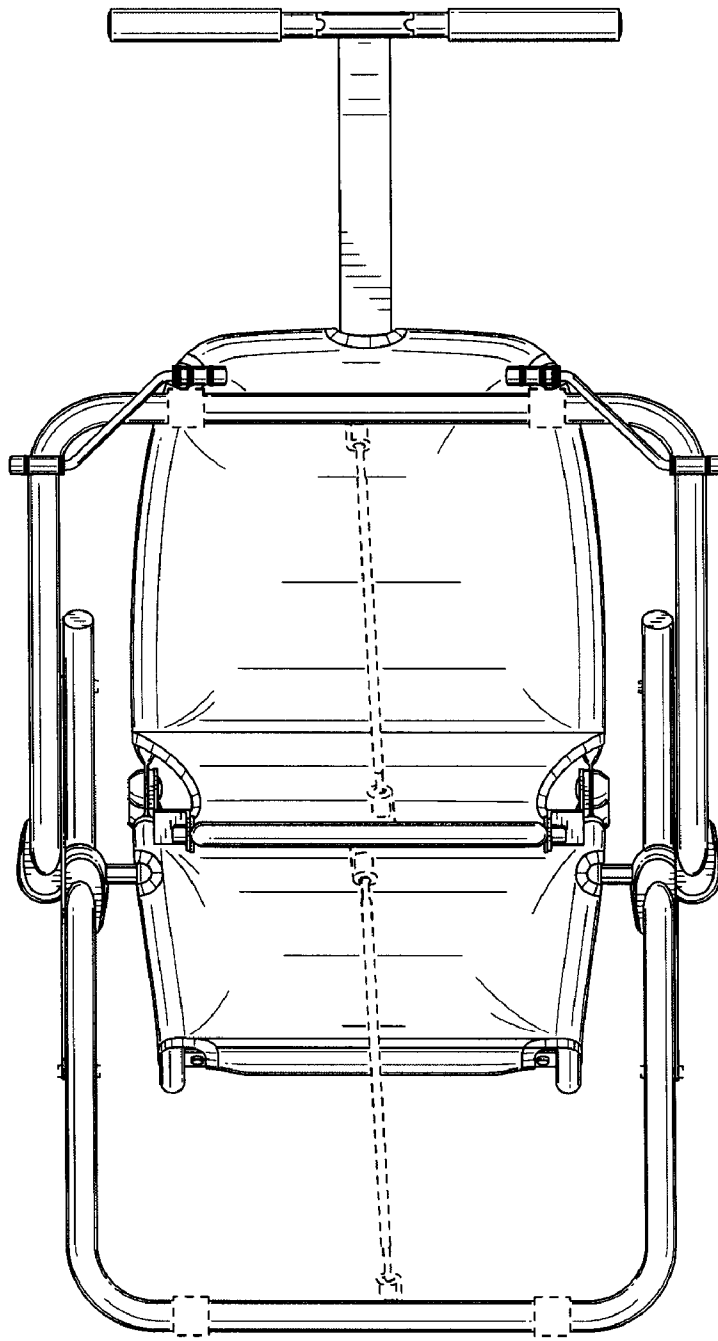


FIG. 5

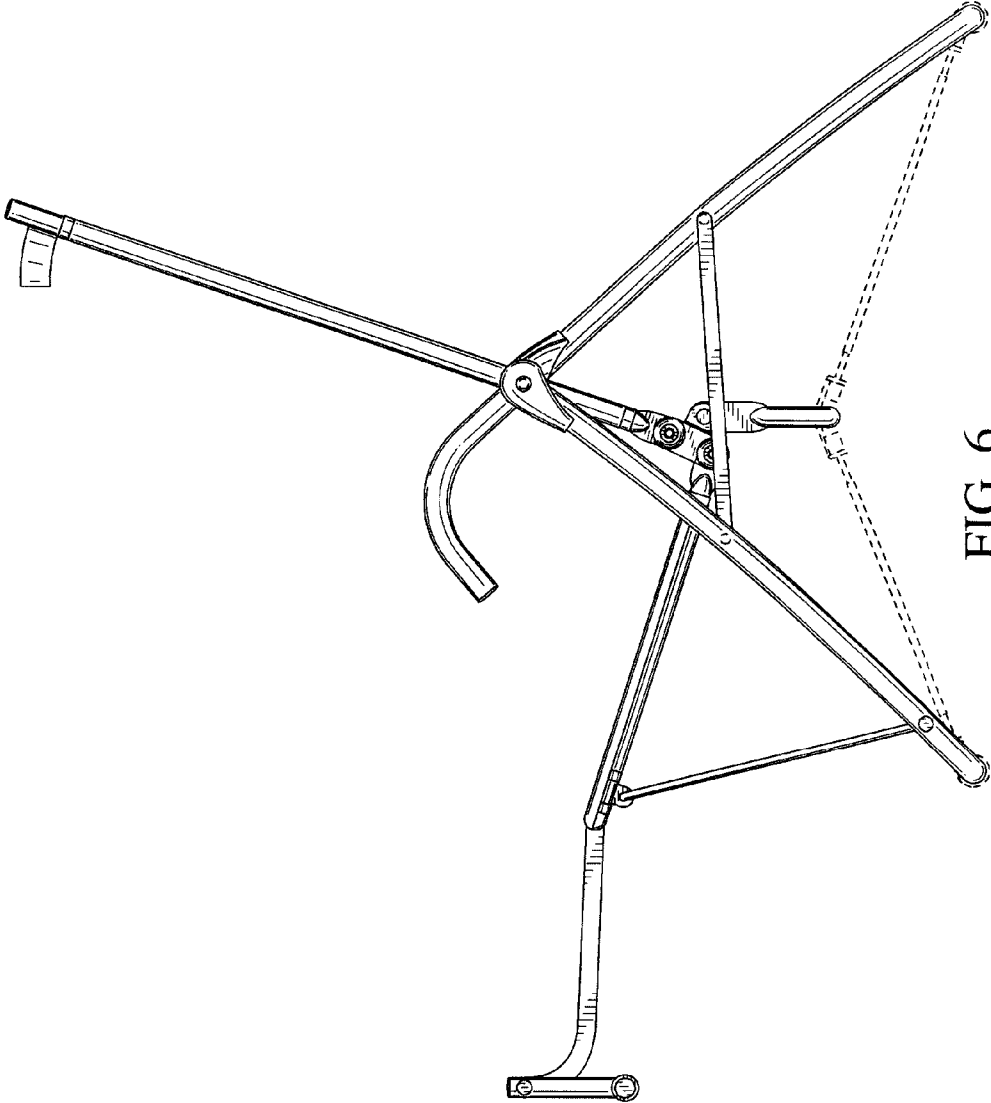


FIG. 6

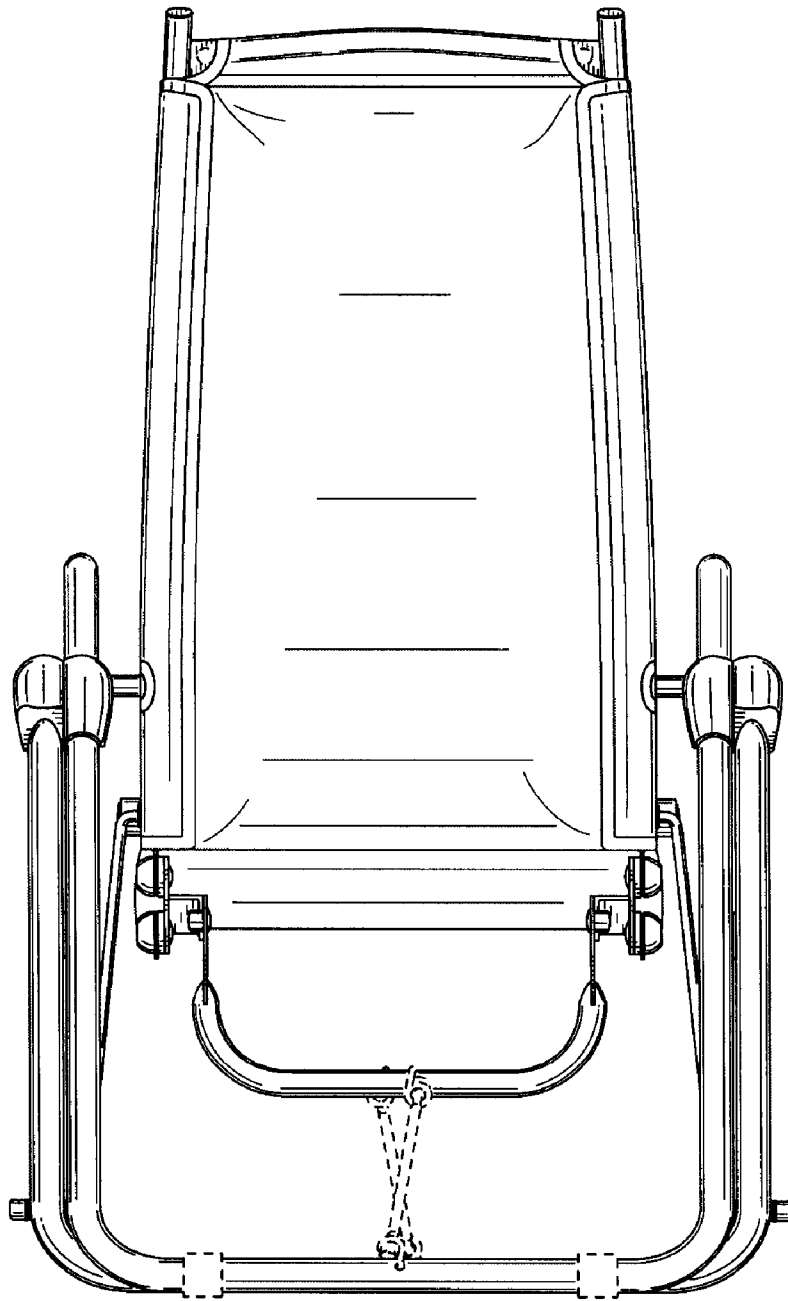


FIG. 7