



US00D919356S

(12) **United States Design Patent**  
**DeLeo et al.**

(10) **Patent No.:** **US D919,356 S**

(45) **Date of Patent:** **\*\* May 18, 2021**

(54) **MIXER**

(71) Applicant: **Sunbeam Products, Inc.**, Boca Raton, FL (US)

(72) Inventors: **Anthony DeLeo**, Portage, MI (US);  
**Charlotte Zale**, Portage, MI (US)

(73) Assignee: **Sunbeam Products, Inc.**, Boca Raton, FL (US)

(\*\*) Term: **15 Years**

D195,425 S *	6/1963	Reed	.....	D7/379
3,186,020 A *	6/1965	Redfield	.....	A47J 43/07
				15/230.19
3,198,490 A *	8/1965	Jepson	.....	A47J 43/044
				366/344
3,333,824 A *	8/1967	Jepson	.....	A47J 44/00
				366/344
D208,805 S *	10/1967	De Fano	.....	D7/379
D255,760 S *	7/1980	Ernest	.....	D7/379
D395,572 S *	6/1998	Carroll	.....	D7/379
5,782,558 A *	7/1998	Roberts	.....	A47J 43/044
				366/199
D756,165 S *	5/2016	Lee	.....	D7/379
D845,697 S *	4/2019	Gordon	.....	D7/379

(21) Appl. No.: **29/720,704**

(22) Filed: **Jan. 15, 2020**

(51) **LOC (13) Cl.** ..... **31-00**

(52) **U.S. Cl.**  
USPC ..... **D7/379; D7/376**

(58) **Field of Classification Search**  
USPC ..... D7/372, 376-386, 397, 412-413, 602,  
D7/629, 665-666, 669, 679, 690,  
D7/693-694

CPC .... A21C 1/02; A21C 1/04; A23N 1/00; A23N  
1/02; A47J 43/04; A47J 43/25; A47J  
43/27; A47J 43/042; A47J 43/044; A47J  
43/046; A47J 43/07; A47J 43/075; A47J  
43/0722; A47J 43/0727; A47J 43/082;  
A47J 44/00; B01F 3/00; B01F 3/0807;  
B01F 3/0853; B01F 13/0059; B01F  
13/0064; B02C 1/08; B02C 2/04; B02C  
4/42; B02C 4/142; B02C 4/143; B02C  
4/423; B02C 13/1835; B28C 5/10; B28C  
5/12; B28C 5/14; B28C 5/16

See application file for complete search history.

(56) **References Cited**

**U.S. PATENT DOCUMENTS**

D174,117 S *	3/1955	Ernest	.....	D7/379
D182,424 S *	4/1958	Madl	.....	D7/379

**OTHER PUBLICATIONS**

DmofwHi 9-Speed Hand Mixer Electric. Date First Available on Amazon.com Dec. 16, 2019. <https://www.amazon.com/dp/B082V24PLV/ref> (Year: 2019).\*

\* cited by examiner

*Primary Examiner* — Ricky Pham  
(74) *Attorney, Agent, or Firm* — Husch Blackwell LLP

(57) **CLAIM**

We claim the ornamental design for a mixer, as shown and described.

**DESCRIPTION**

FIG. 1 is a perspective view of a mixer;  
FIG. 2 is a left side elevation view of the mixer;  
FIG. 3 is a rear elevation view of the mixer;  
FIG. 4 is a right side elevation view of the mixer;  
FIG. 5 is a front elevation view of the mixer;  
FIG. 6 is a top plan view of the mixer; and,  
FIG. 7 is a bottom plan view of the mixer.  
Broken lines shown in the drawing views are included for illustrative purposes only, and form no part of the claimed design.

**1 Claim, 6 Drawing Sheets**

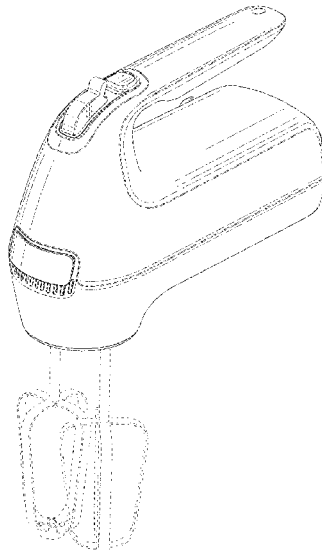


FIG. 1

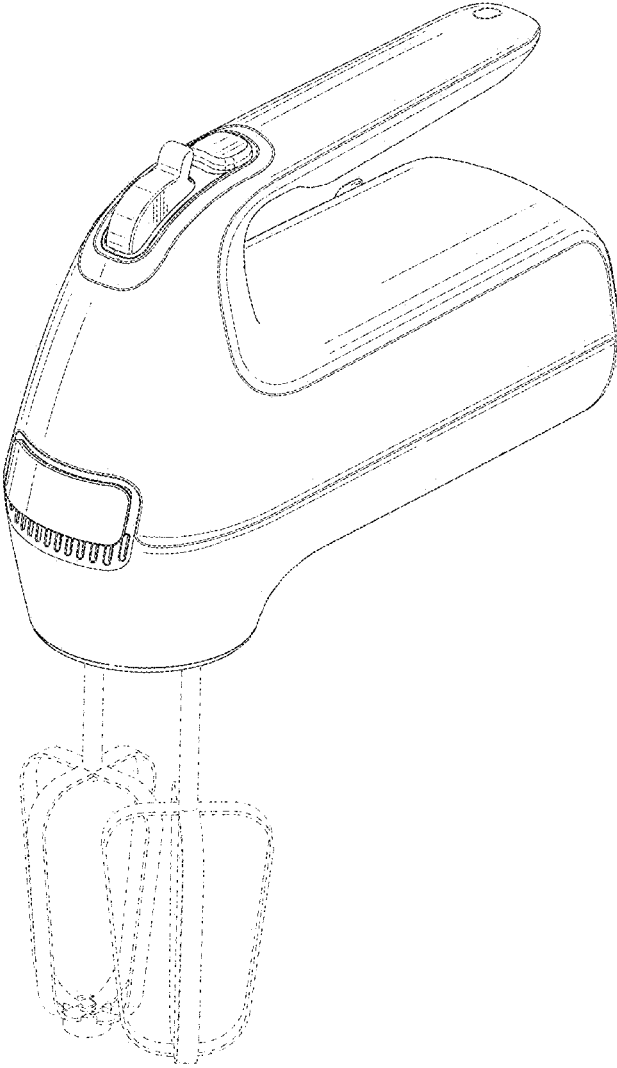


FIG. 2

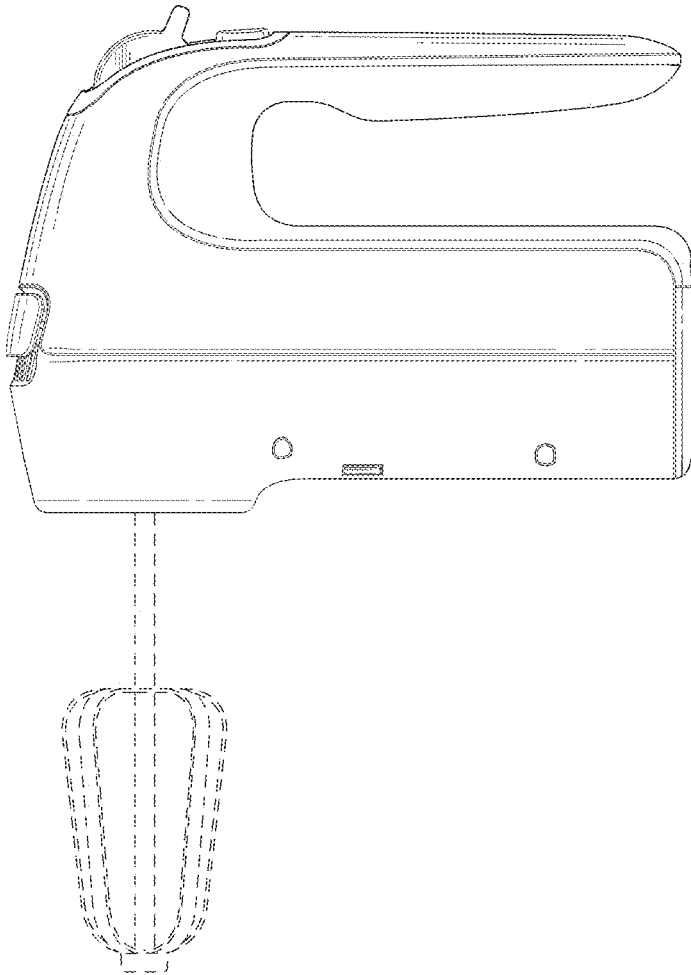


FIG. 3

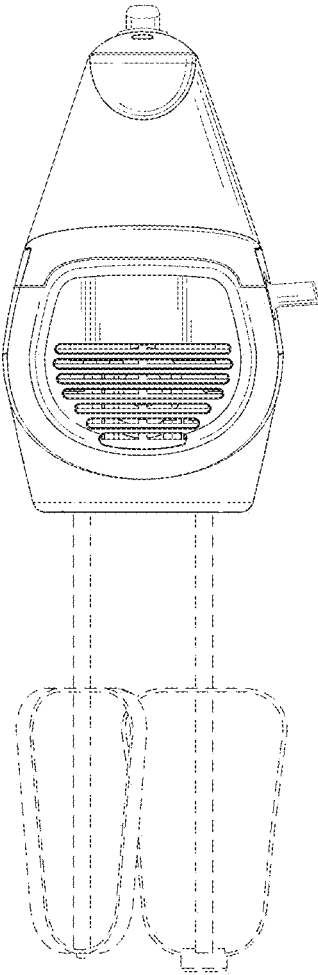


FIG. 4

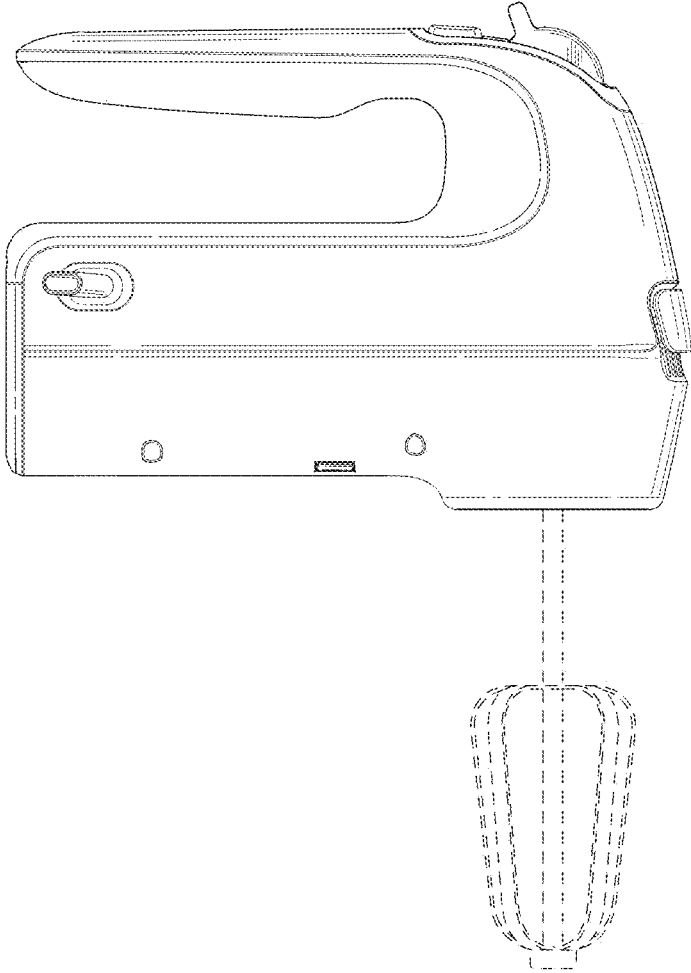


FIG. 5

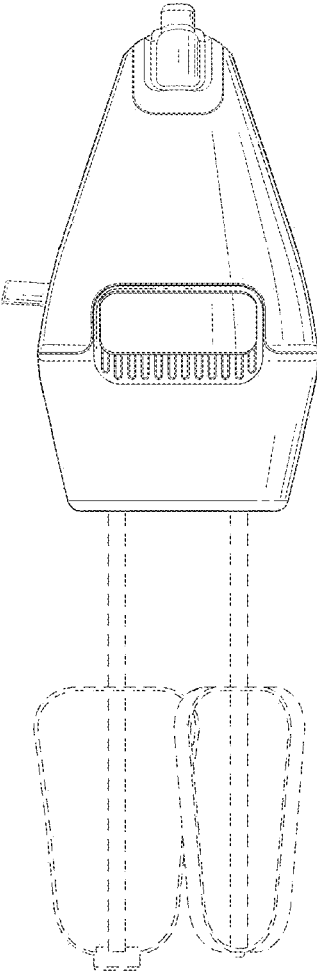


FIG. 6

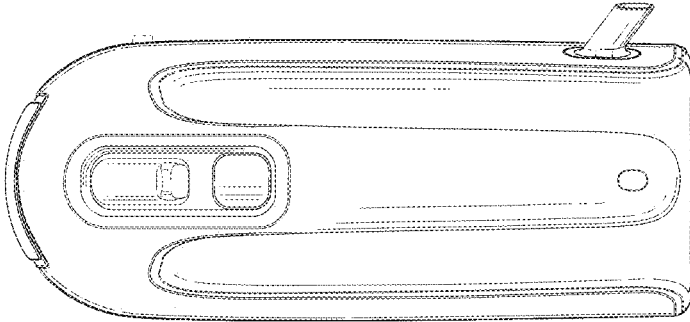


FIG. 7

