



(12) **United States Design Patent**
Dong

(10) **Patent No.:** **US D951,544 S**
(45) **Date of Patent:** **** May 10, 2022**

- (54) **NAIL DRYER**
- (71) Applicant: **Wenwen Dong, Yuyao (CN)**
- (72) Inventor: **Wenwen Dong, Yuyao (CN)**
- (**) Term: **15 Years**
- (21) Appl. No.: **29/773,097**
- (22) Filed: **Mar. 7, 2021**
- (51) **LOC (13) Cl.** **28-03**
- (52) **U.S. Cl.**
USPC **D28/58; D28/54.1**
- (58) **Field of Classification Search**
USPC D28/54.1, 58
CPC .. A45D 29/00; A45D 29/11; A45D 29/18-22;
A45D 2200/205
See application file for complete search history.

D890,431 S *	7/2020	Hsieh	D28/58
D899,691 S *	10/2020	Fan	D28/58
D900,396 S *	10/2020	Zhang	D28/58
D909,682 S *	2/2021	Wu	D28/58
D914,291 S *	3/2021	Bui	D28/58
D914,982 S *	3/2021	Hurter	D28/58
D919,184 S *	5/2021	Feng	D28/58
D920,576 S *	5/2021	Liu	D28/58
11,058,202 B1 *	7/2021	Luu	H05B 45/10
11,134,813 B2 *	10/2021	Ma	A45D 29/18
D937,487 S *	11/2021	Zhang	D28/58
2015/0290675 A1 *	10/2015	Lin	F21S 9/00 250/494.1
2016/0095409 A1 *	4/2016	Jih	A45D 29/00 34/202
2020/0170372 A1 *	6/2020	Cheng	A45D 29/00
2020/0237071 A1 *	7/2020	Lee	A45D 29/00
2021/0022473 A1 *	1/2021	Hurter	A45D 29/00
2021/0386179 A1 *	12/2021	Yilmaz	A45D 29/22
2021/0401146 A1 *	12/2021	Ly	A45D 29/18

* cited by examiner

Primary Examiner — Jennifer Rivard

(56) **References Cited**

U.S. PATENT DOCUMENTS

D692,617 S *	10/2013	Haile	D28/58
D702,400 S	4/2014	Valia et al.	
D734,548 S	7/2015	Dadon	
D747,828 S	1/2016	Vu et al.	
D820,522 S *	6/2018	Colin	D28/58
D827,203 S *	8/2018	Ouyang	D28/58
D838,042 S *	1/2019	Ouyang	D28/58
D838,043 S *	1/2019	Ouyang	D28/58
D840,106 S *	2/2019	Ouyang	D28/58
D842,546 S *	3/2019	Ouyang	D28/58
D850,724 S *	6/2019	Luo	D28/58
D853,032 S *	7/2019	Ouyang	D28/58
D853,033 S *	7/2019	Ouyang	D28/58
D853,034 S *	7/2019	Ouyang	D28/58
D858,883 S *	9/2019	Wu	D28/58
D858,884 S *	9/2019	Wu	D28/58
D858,885 S *	9/2019	Wu	D28/58
D864,485 S *	10/2019	Ouyang	D28/58
D872,369 S *	1/2020	Le	D28/58
D880,068 S *	3/2020	Wu	D28/58

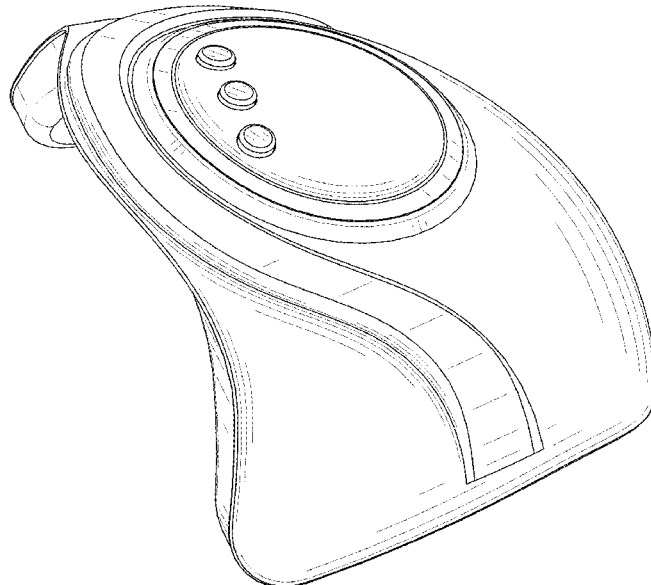
(57) **CLAIM**

The ornamental design for a nail dryer, as shown and described.

DESCRIPTION

FIG. 1 is a front elevation view of a nail dryer showing my design;
 FIG. 2 is a back elevation view thereof;
 FIG. 3 is a left side view thereof;
 FIG. 4 is a right side view thereof;
 FIG. 5 is a top plan view thereof;
 FIG. 6 is a bottom plan view thereof; and,
 FIG. 7 is a perspective view thereof.
 The dashed or broken lines shown in the drawings depict portions of the nail dryer in which the design is embodied that form no part of the claimed design.

1 Claim, 7 Drawing Sheets



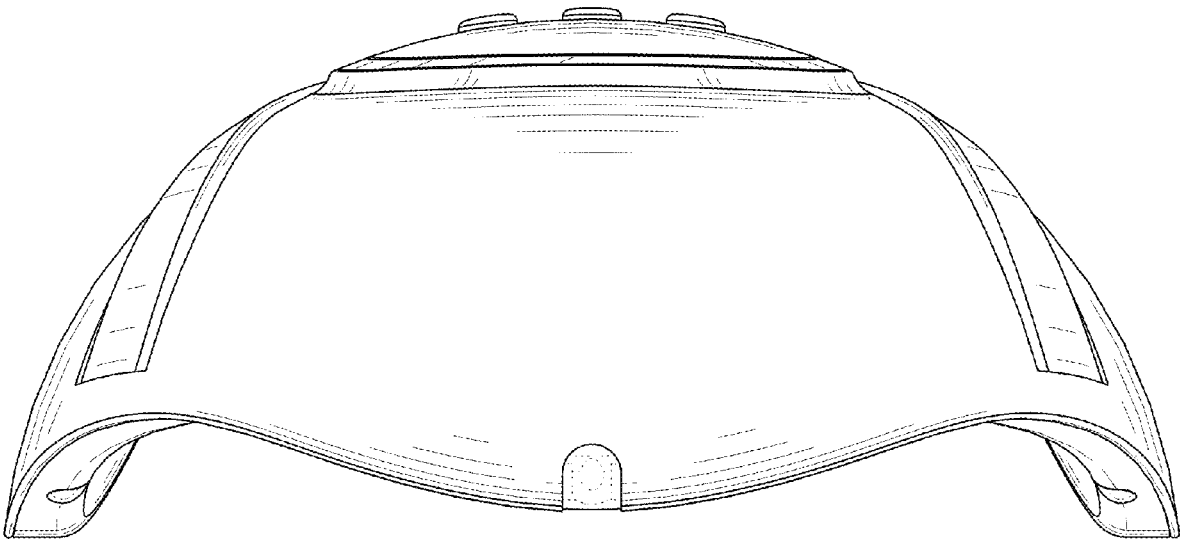


FIG. 1

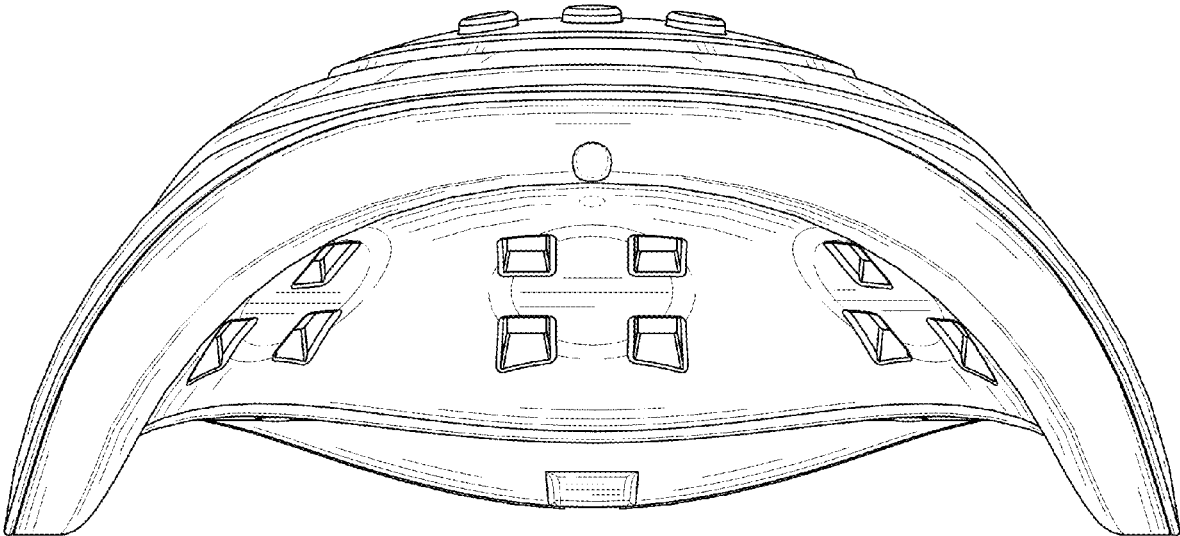


FIG. 2

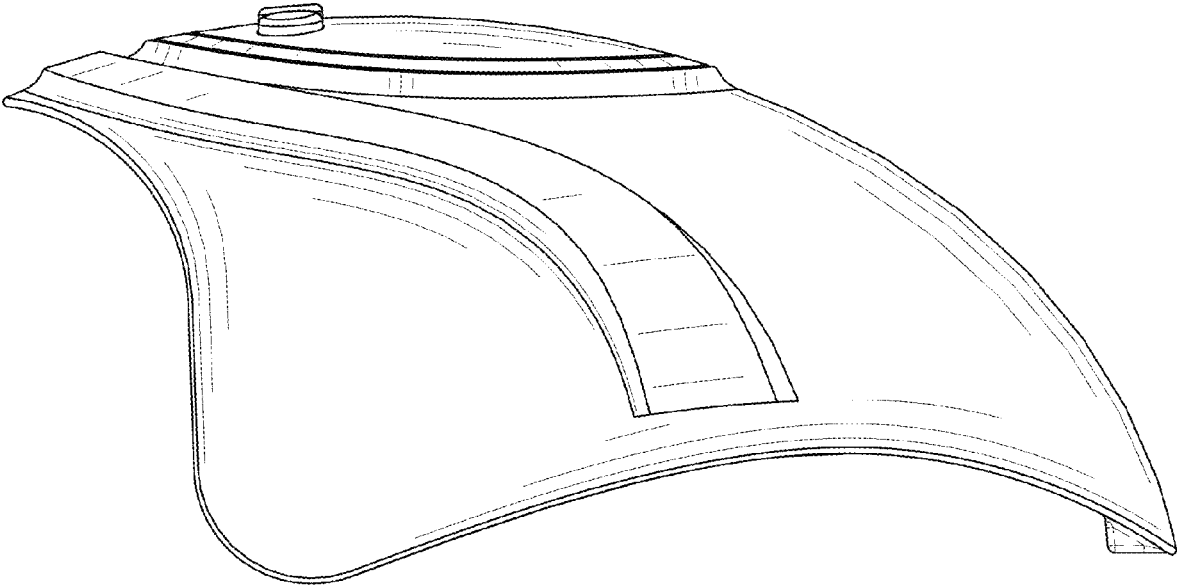


FIG. 3

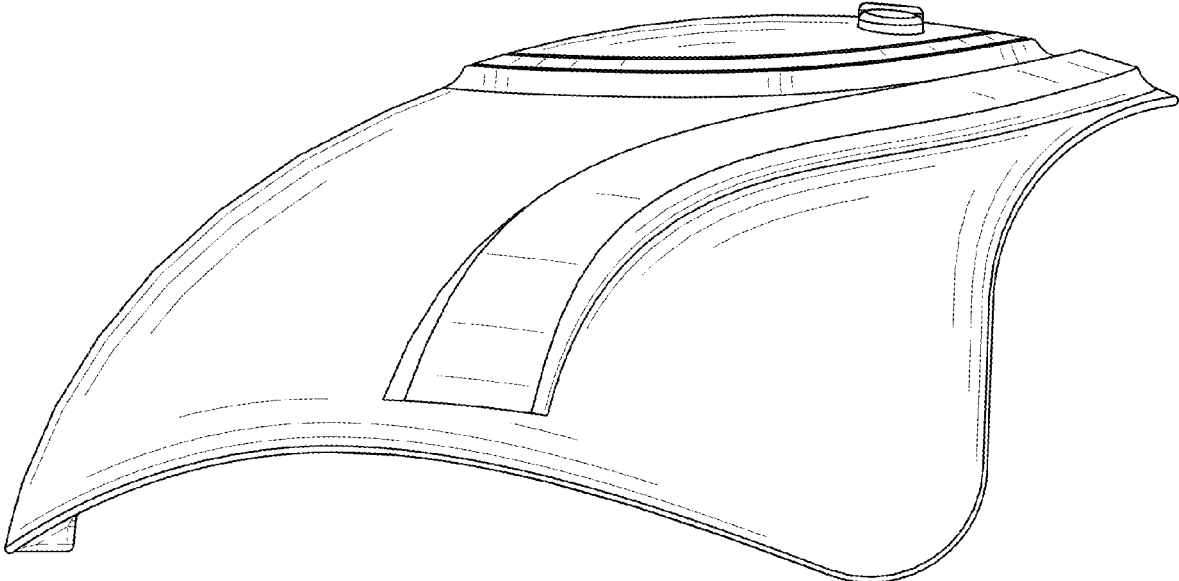


FIG. 4

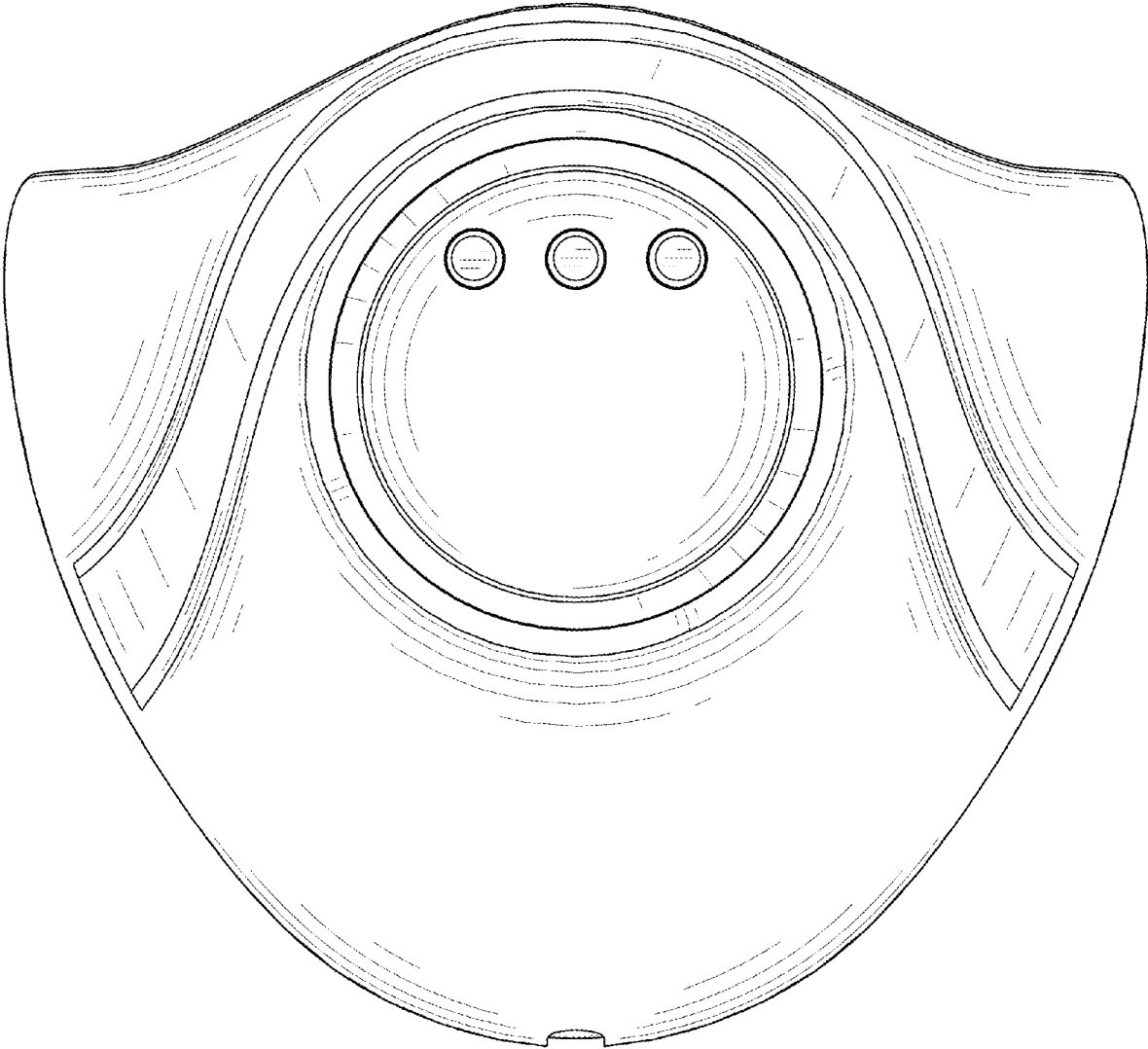


FIG. 5

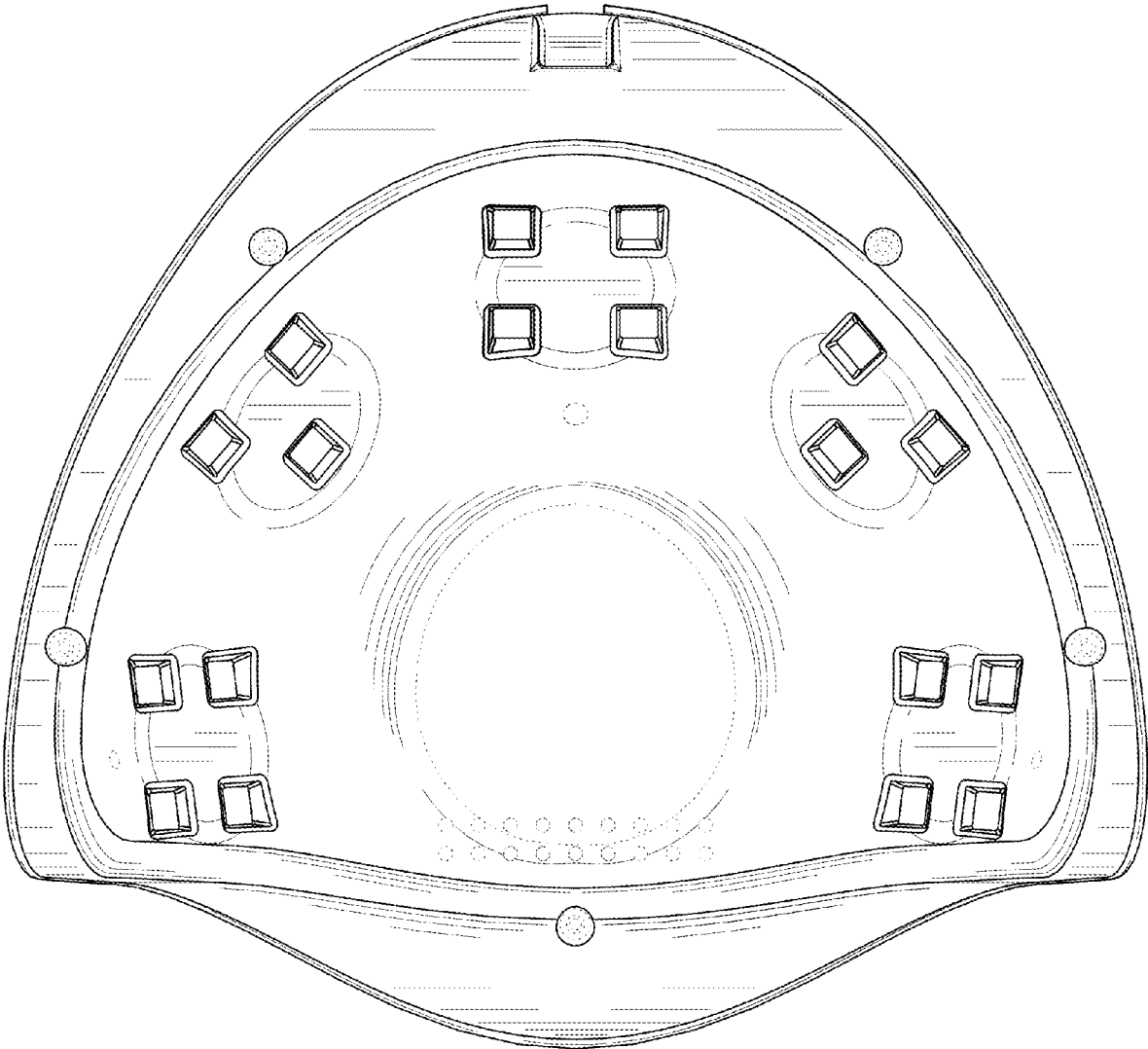


FIG. 6

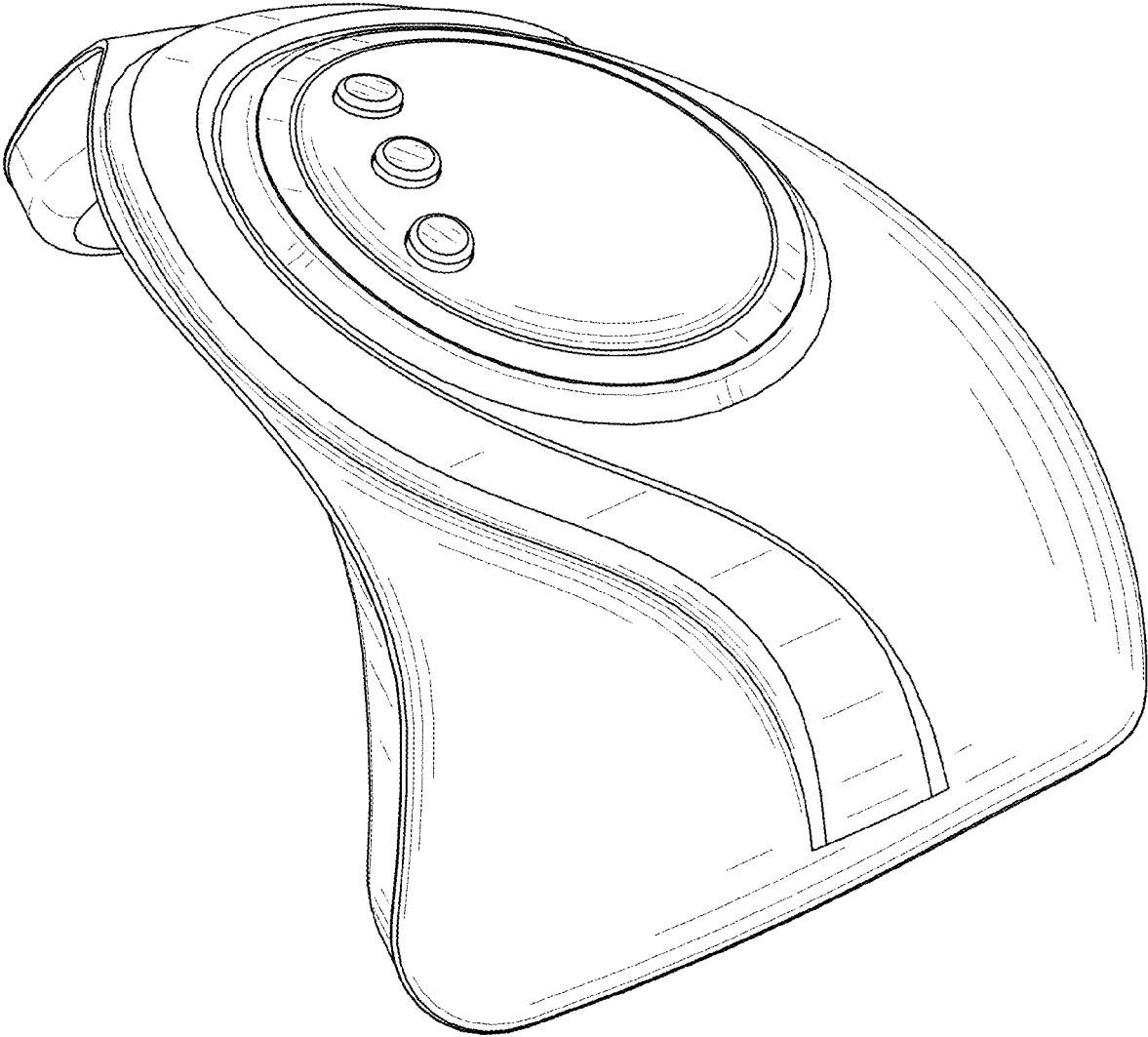


FIG. 7