



US00D354451S

United States Patent [19]

[11] Patent Number: **Des. 354,451**

Burrell et al.

[45] Date of Patent: **** Jan. 17, 1995**

[54] **NAVIGATIONAL DEVICE FRONT PANEL**

[75] Inventors: **Gary L. Burrell; Clifton A. Pemble; Larry Beason; Sheldon Wheaton**, all of Olathe, Kans.

[73] Assignee: **Garmin Corporation**, Lenexa, Kans.

[**] Term: **14 Years**

[21] Appl. No.: **9,173**

[22] Filed: **Jun. 7, 1993**

[52] U.S. Cl. **D10/103; D10/125**

[58] Field of Search **D10/65, 74, 103, 123, D10/125; D13/162, 177; 73/178 R, 431; 174/50, 53, 58-60, 66, 70; 200/293, 294, 297, 302.1, 302.2, 333, 334; 324/156; 340/988-955; 361/331, 332, 390, 391, 392, 394; 364/443-459**

[56] **References Cited**

U.S. PATENT DOCUMENTS

D. 225,469 12/1972 Gray D13/162 X

D. 331,200 11/1992 Garcia-Victoria D10/65
4,651,282 3/1987 Robinson et al. D10/65 X
5,229,925 7/1993 Spencer et al. D13/162 X

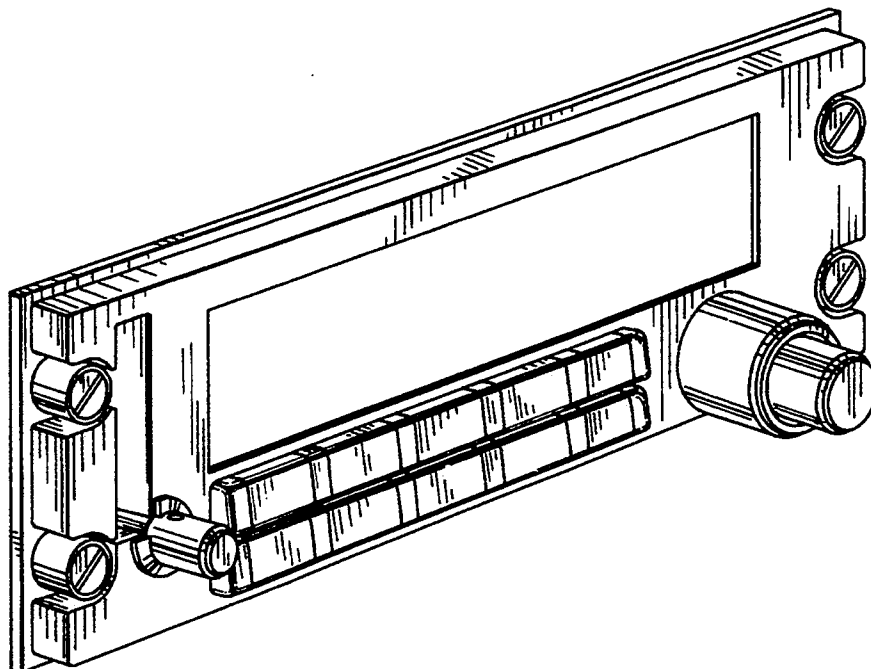
Primary Examiner—Alan P. Douglas
Assistant Examiner—Antoine D. Davis
Attorney, Agent, or Firm—Kokjer, Kircher, Bowman & Johnson

[57] CLAIM

The ornamental design for a navigational device front panel, as shown and described.

DESCRIPTION

FIG. 1 is a perspective view of a navigational device front panel according to the present invention; FIG. 2 is a front elevation view thereof; FIG. 3 is a left side elevation view thereof; FIG. 4 is a right side elevation view thereof; FIG. 5 is a top plan view thereof; and, FIG. 6 is a bottom plan view thereof. The rear elevation view is plain and conforms to the surfaces shown in the figures.



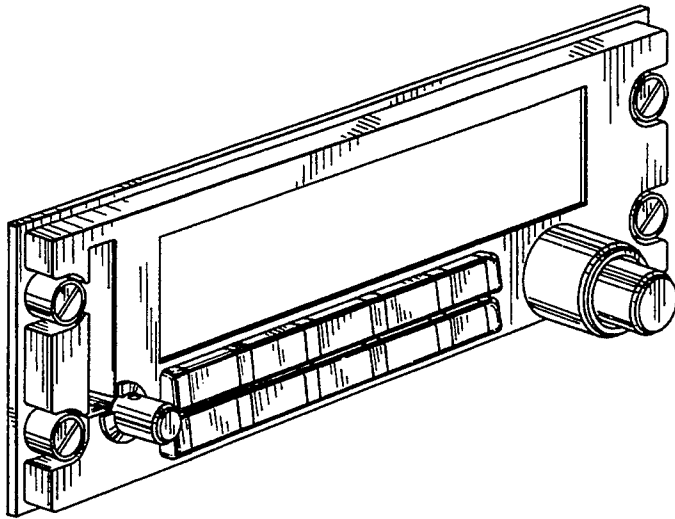


Fig. 1.

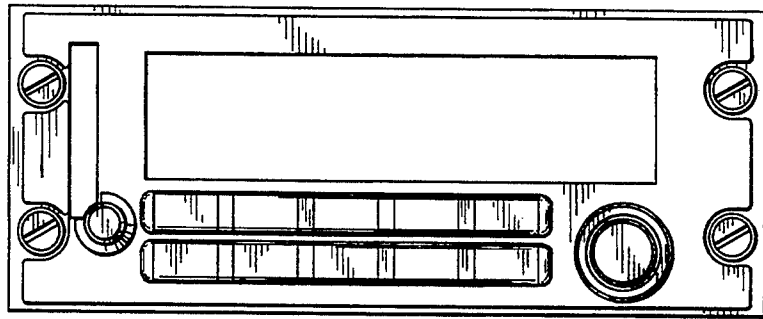


Fig. 2.

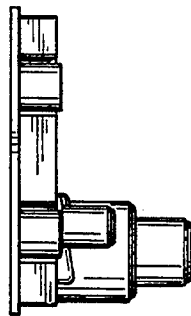


Fig. 3.

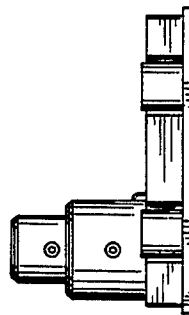


Fig. 4.

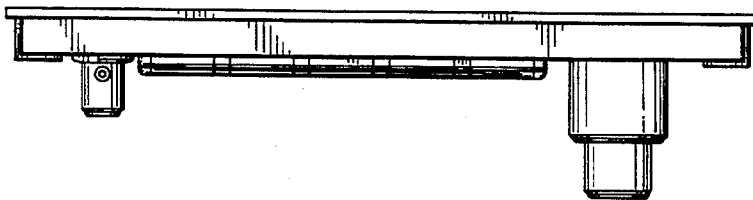


Fig. 5.

Fig. 6.

