



US00D758129S

(12) **United States Design Patent**  
**Filho et al.**

(10) **Patent No.:** **US D758,129 S**  
(45) **Date of Patent:** **\*\* Jun. 7, 2016**

- (54) **GAS BURNER**
- (71) Applicant: **WHIRLPOOL S.A.**, Sao Paulos (BR)
- (72) Inventors: **Ricardo Kolb Filho**, Joinville (BR);  
**Emmanuel Machado Vieira**, Joinville (BR); **Henrique Cesar De Gaspari**, Joinville (BR)
- (73) Assignee: **Whirlpool S.A.** (BR)
- (\*\*) Term: **15 Years**
- (21) Appl. No.: **29/536,261**
- (22) Filed: **Aug. 14, 2015**

**Related U.S. Application Data**

- (62) Division of application No. 29/459,550, filed on Jul. 1, 2013, now Pat. No. Des. 743,203, which is a division of application No. 29/352,186, filed on Dec. 17, 2009, now Pat. No. Des. 687,675.

**Foreign Application Priority Data**

- Jun. 19, 2009 (BR) ..... DI6902173

- (51) **LOC (10) Cl.** ..... **07-02**
- (52) **U.S. Cl.**  
USPC ..... **D7/407**

**Field of Classification Search**

USPC ..... D7/339, 340, 346, 402, 407; 126/1 R, 126/27, 39 R, 25 R, 39 E; 99/481-482; D23/341, 415, 335, 386; 431/354, 284  
CPC ..... F24C 15/08; F24C 3/085; A47J 36/36; A47J 37/0704; A23B 4/052; F23D 14/06; F23D 17/002

See application file for complete search history.

**References Cited**

**U.S. PATENT DOCUMENTS**

D42,339 S 3/1912 Sherman  
D48,913 S 4/1916 Parisen

|                |         |                 |                        |
|----------------|---------|-----------------|------------------------|
| D102,760 S     | 1/1937  | Maul            |                        |
| D125,112 S     | 6/1940  | Reeves          |                        |
| D191,085 S     | 8/1961  | Kindl           |                        |
| D228,766 S     | 10/1973 | Stohrer, Jr.    |                        |
| D236,418 S     | 8/1975  | Duperow et al.  |                        |
| 5,397,234 A    | 3/1995  | Kwiatak         |                        |
| D369,517 S     | 5/1996  | Ferlin          |                        |
| D414,377 S     | 9/1999  | Huang           |                        |
| 6,015,322 A    | 1/2000  | White et al.    |                        |
| D439,801 S     | 4/2001  | Measom          |                        |
| D468,963 S     | 1/2003  | Pai             |                        |
| 7,017,572 B2   | 3/2006  | Cadima          |                        |
| D524,105 S     | 7/2006  | Poltronieri     |                        |
| D564,296 S     | 3/2008  | Koch et al.     |                        |
| D565,893 S     | 4/2008  | Pryor et al.    |                        |
| D565,895 S     | 4/2008  | Pryor et al.    |                        |
| D581,214 S     | 11/2008 | Rosa et al.     |                        |
| D581,736 S     | 12/2008 | Besseas         |                        |
| D642,675 S     | 8/2011  | Scribano et al. |                        |
| 8,302,593 B2 * | 11/2012 | Cadima          | F23D 23/00<br>126/25 R |
| 8,408,897 B2   | 4/2013  | Rossi et al.    |                        |
| D682,028 S *   | 5/2013  | Preisler        | D7/407                 |

(Continued)

*Primary Examiner* — T. Chase Nelson

*Assistant Examiner* — Mark Cavanna

(74) *Attorney, Agent, or Firm* — Baker & Hostetler LLP

(57) **CLAIM**

The ornamental design for a gas burner, as shown and described.

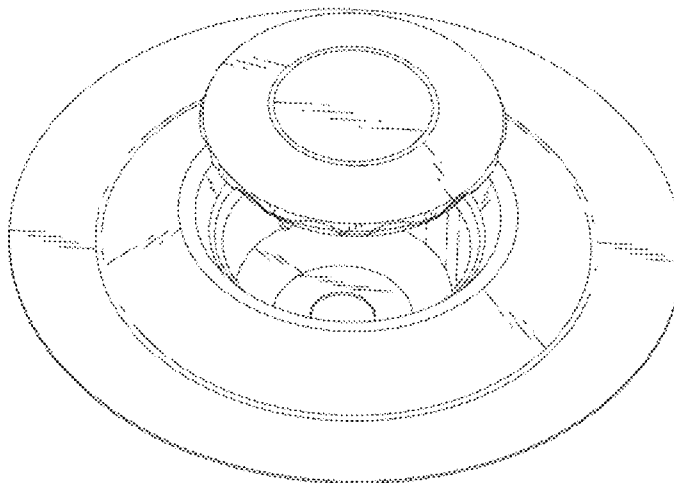
**DESCRIPTION**

FIG. 1 is an exploded perspective view of a gas burner showing my new designs;

FIG. 2 is a side view of the gas burner of FIG. 1 showing the cover mounted to the base; and,

FIG. 3—is a top view of the gas burner of FIG. 1 showing the cover mounted to the base.

**1 Claim, 2 Drawing Sheets**





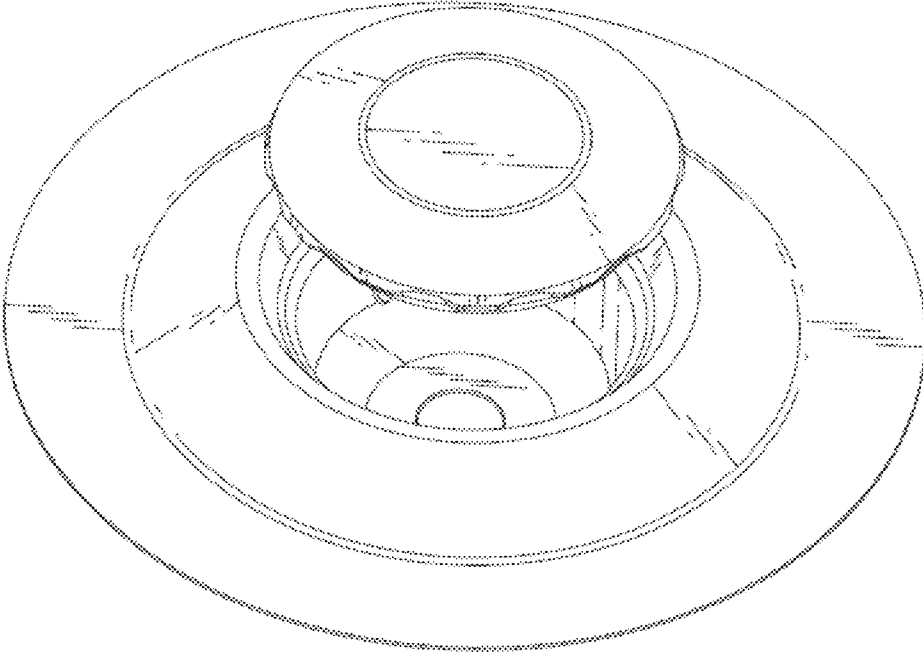


Fig. 1



Fig. 2

