



(12) **United States Design Patent**
Lan

(10) **Patent No.:** **US D952,595 S**
(45) **Date of Patent:** **** May 24, 2022**

(54) **WIRELESS EYE MASK**

(71) Applicant: **Peng Lan, Ji'an (CN)**

(72) Inventor: **Peng Lan, Ji'an (CN)**

(**) Term: **15 Years**

(21) Appl. No.: **29/784,092**

(22) Filed: **May 18, 2021**

(51) **LOC (13) Cl.** **14-01**

(52) **U.S. Cl.**

USPC **D14/192**

(58) **Field of Classification Search**

USPC D14/192, 486, 485, 168, 188, 194,
D14/197-198, 203.5; D16/300, 301, 309;
D29/108-110; D24/206; D20/40; 2/15;
40/654; 224/219, 221
CPC .. G06F 3/00; G06F 3/0481; A61F 9/04; A61F
7/02; A61F 9/02; A61F 9/00; A61F
13/12; H04R 25/00; H04R 25/02; H04R
1/10; H04R 1/1066; H04R 1/1075; G02C
1/00; A42B 1/06
See application file for complete search history.

(56) **References Cited**

U.S. PATENT DOCUMENTS

D310,907 S * 10/1990 Mark D14/192
D322,616 S * 12/1991 Wiedner D16/314
D343,282 S * 1/1994 Irish D2/894
5,386,933 A * 2/1995 Greene A45F 3/50
224/267
D384,790 S * 10/1997 Juergens D2/866
D385,548 S * 10/1997 Paterson D14/492
D544,103 S * 6/2007 Meziere D24/216
D592,236 S * 5/2009 McGrath A61F 9/04
D16/301
D669,633 S * 10/2012 Hedgren D2/894
D676,866 S * 2/2013 Chaudhri D14/487
D718,369 S * 11/2014 Janavicius D16/312

8,959,668 B1 * 2/2015 Ganes A42B 3/205
2/9
9,143,854 B2 * 9/2015 Alao H04R 5/0335
9,168,176 B2 * 10/2015 Peebles A63B 71/10
D762,732 S * 8/2016 Tursi D14/493
9,636,066 B2 * 5/2017 IDrees A61B 5/486
D824,059 S * 7/2018 Inskeep D26/39
D830,448 S * 10/2018 Hardi D16/301
D837,870 S * 1/2019 Warnock A61F 9/04
D16/312
D843,395 S * 3/2019 Assia D14/486
D858,560 S * 9/2019 Lavin, Jr. D14/487
(Continued)

FOREIGN PATENT DOCUMENTS

CN 301312756 * 8/2010
CN 307034697 * 12/2021

Primary Examiner — Paula Allen Greene

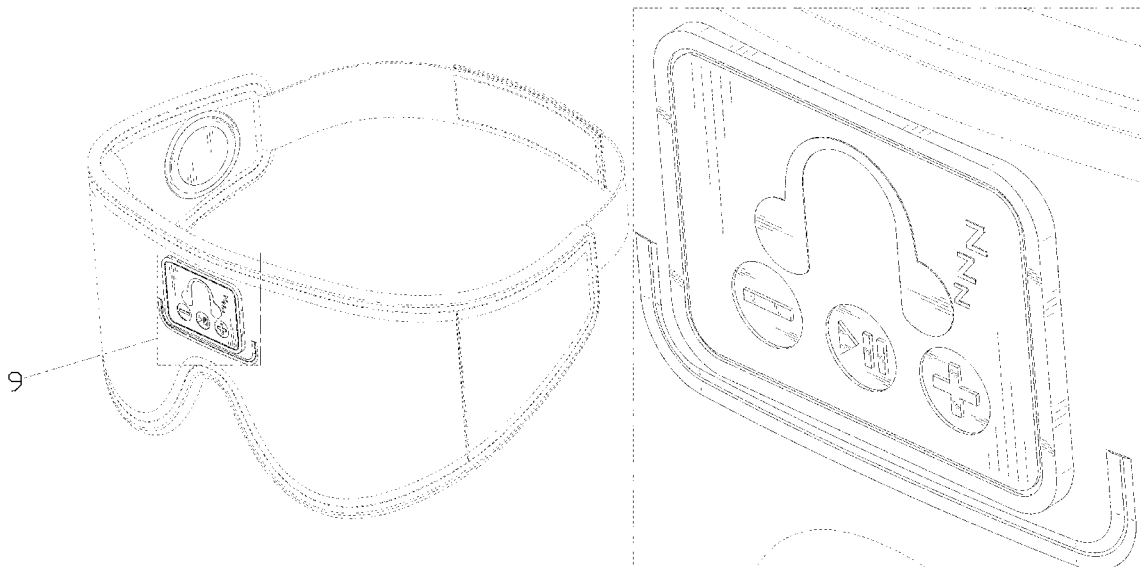
(57) **CLAIM**

The ornamental design for a wireless eye mask, as shown and described.

DESCRIPTION

FIG. 1 is a perspective view of a wireless eye mask showing my new design;
FIG. 2 is another perspective view thereof;
FIG. 3 is a front elevational view thereof;
FIG. 4 is a rear elevational view thereof;
FIG. 5 is a left side elevational view thereof;
FIG. 6 is a right side elevational view thereof;
FIG. 7 is a top plan view thereof;
FIG. 8 is a bottom plan view thereof; and,
FIG. 9 is an enlarged view of portion 9 shown in FIG. 1.
The broken lines in the drawing depict portions of the wireless eye mask that form no part of the claimed design. The dot-dash-dot broken lines encircling portions of the wireless eye mask in FIG. 1 and illustrated in the enlarged view of FIG. 9 form no part of the claimed design.

1 Claim, 9 Drawing Sheets



(56)

References Cited

U.S. PATENT DOCUMENTS

D861,060 S * 9/2019 Zheng A61F 9/04
D16/301
10,426,666 B1 * 10/2019 Seidenfeld A61F 7/02
D867,436 S * 11/2019 Lian D16/301
D867,437 S * 11/2019 Lian D16/301
D870,062 S * 12/2019 Peng D2/866
D887,484 S * 6/2020 Guo A61F 9/04
D16/301
D889,529 S 7/2020 Guo
D906,405 S * 12/2020 Seidenfeld D16/301
D907,688 S * 1/2021 Du D16/301
D913,984 S * 3/2021 Li D14/192
D918,991 S * 5/2021 Du D16/301
D932,459 S * 10/2021 Liu D14/205
D938,381 S * 12/2021 Li D16/301
D940,727 S * 1/2022 Freilafert D14/485
D944,494 S * 3/2022 Peng D2/875
D946,549 S * 3/2022 Wang D14/205
2009/0307591 A1 * 12/2009 Pham H04N 21/4312
715/716
2012/0272484 A1 * 11/2012 Willborn A61F 9/029
24/3.12
2012/0324638 A1 * 12/2012 Tobia A61F 9/025
351/83
2017/0251741 A1 * 9/2017 Wang A42B 1/245

* cited by examiner

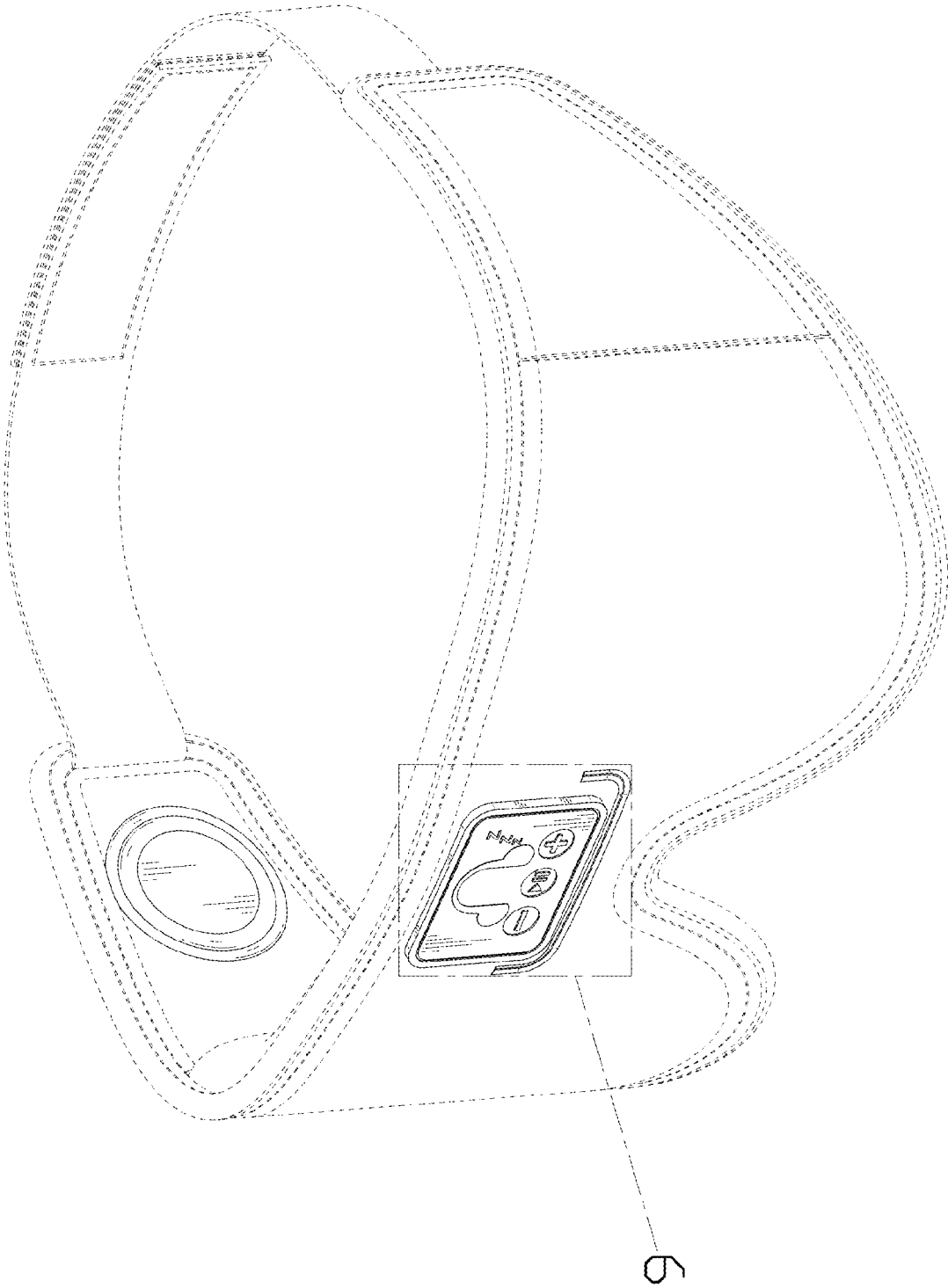


FIG. 1

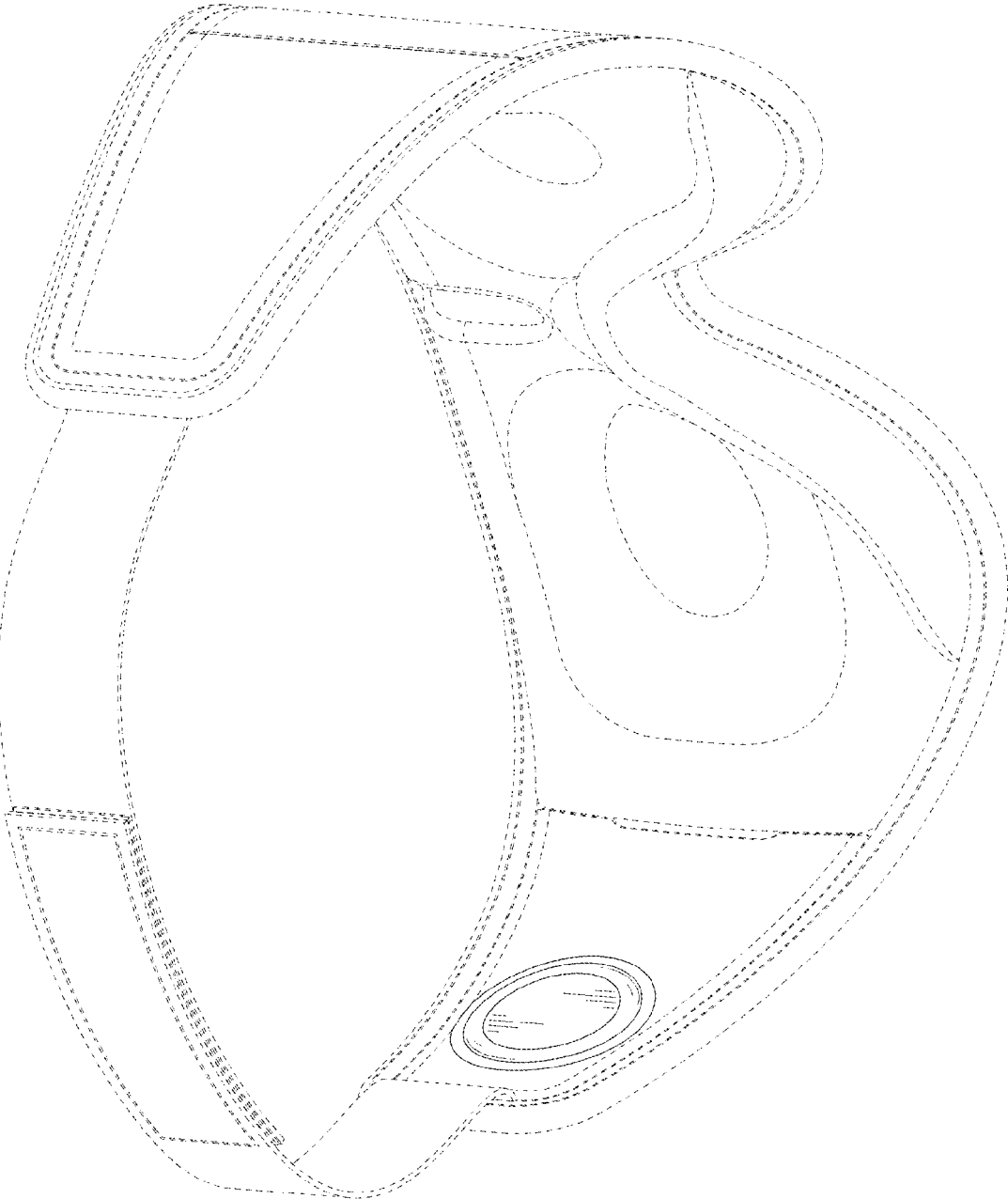


FIG. 2

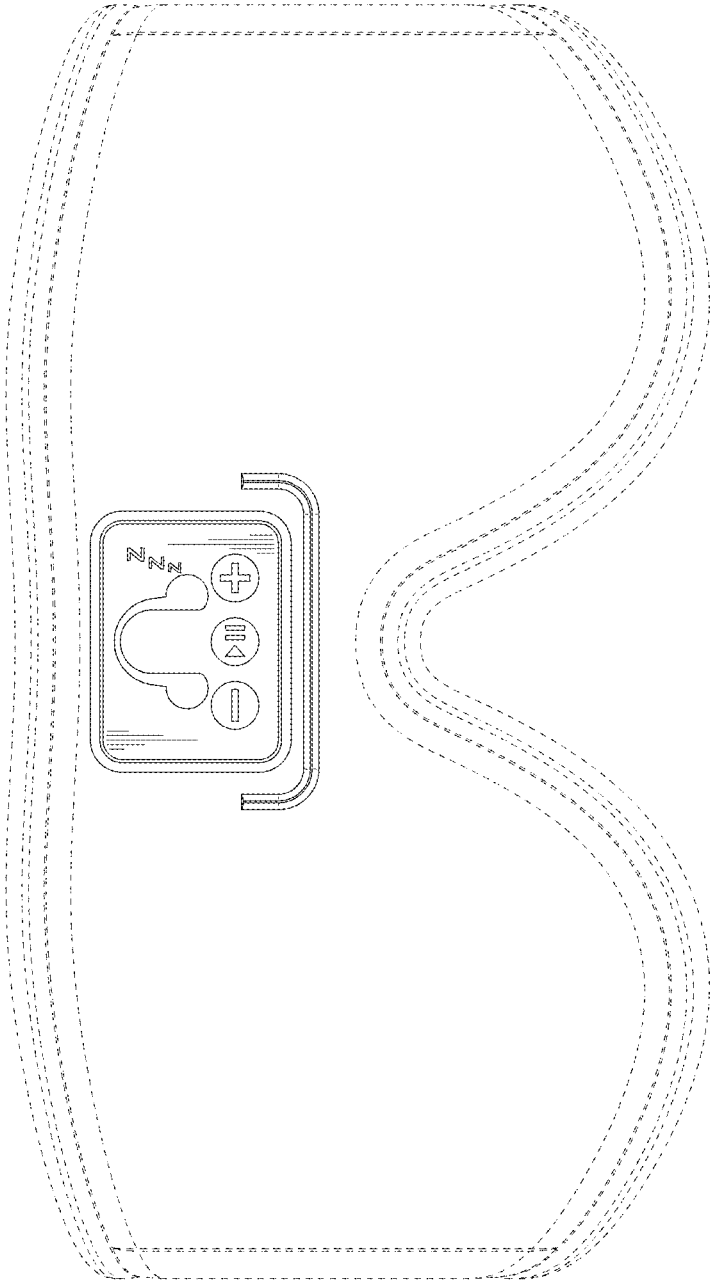


FIG. 3

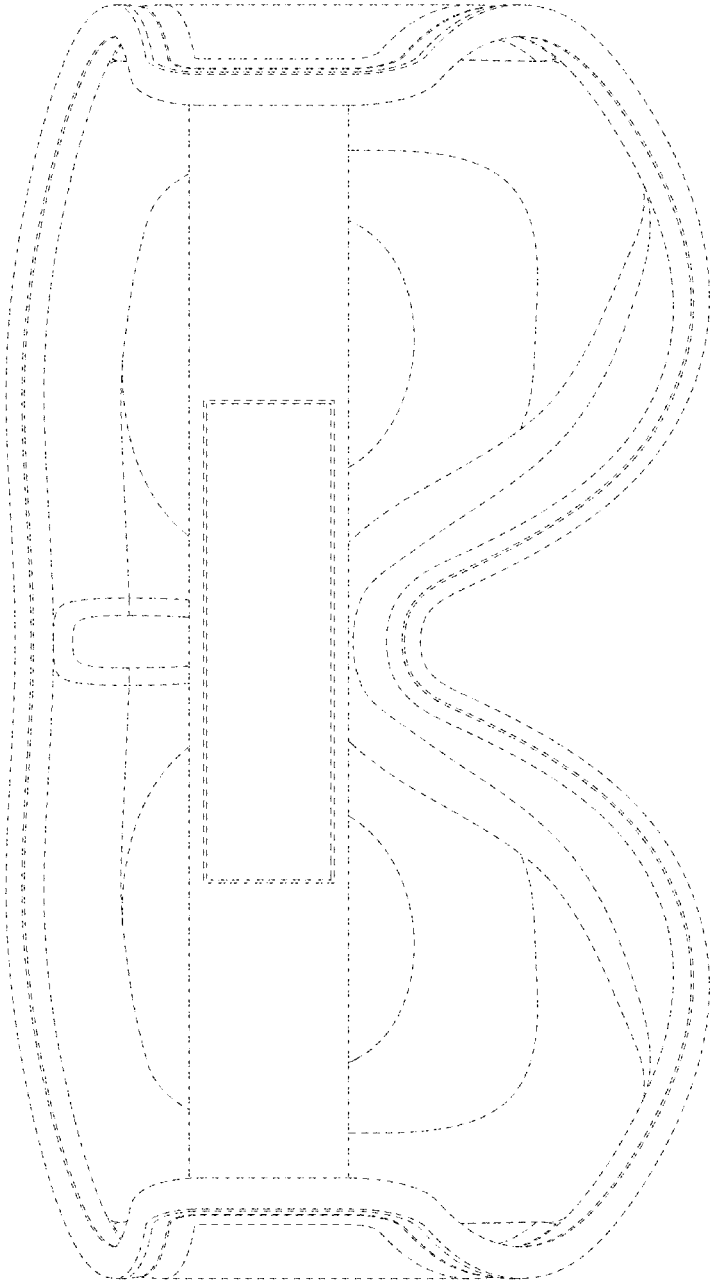


FIG. 4

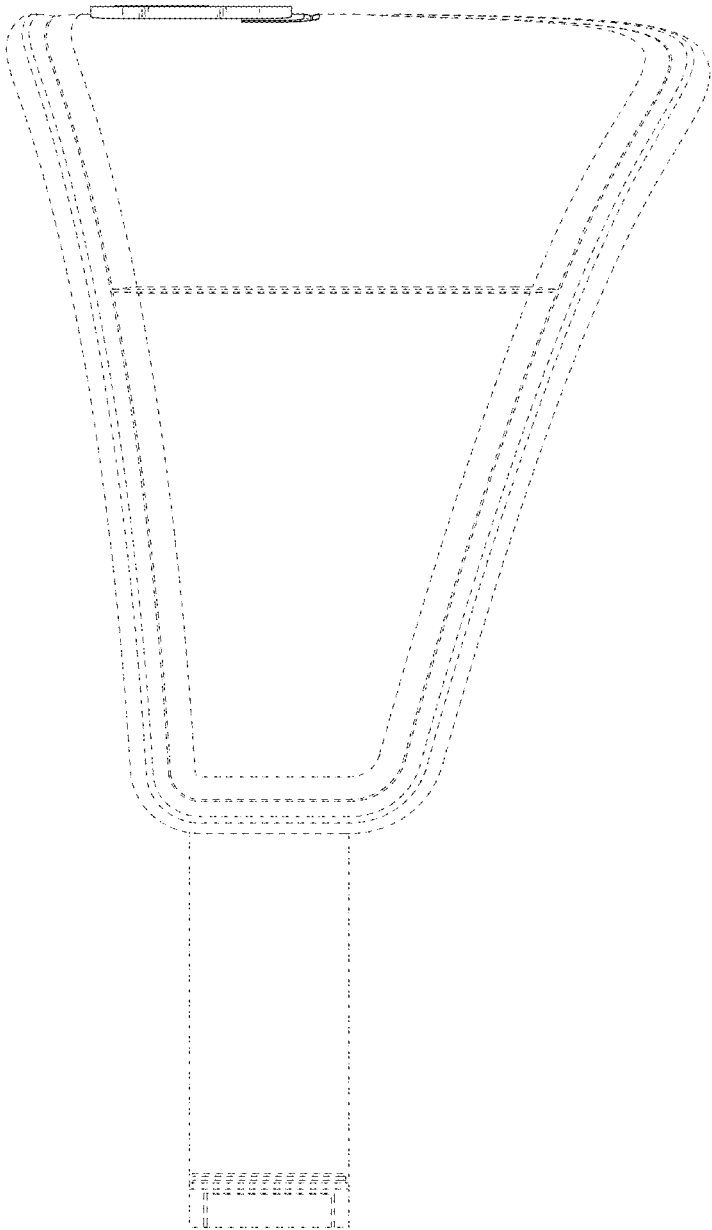


FIG. 5

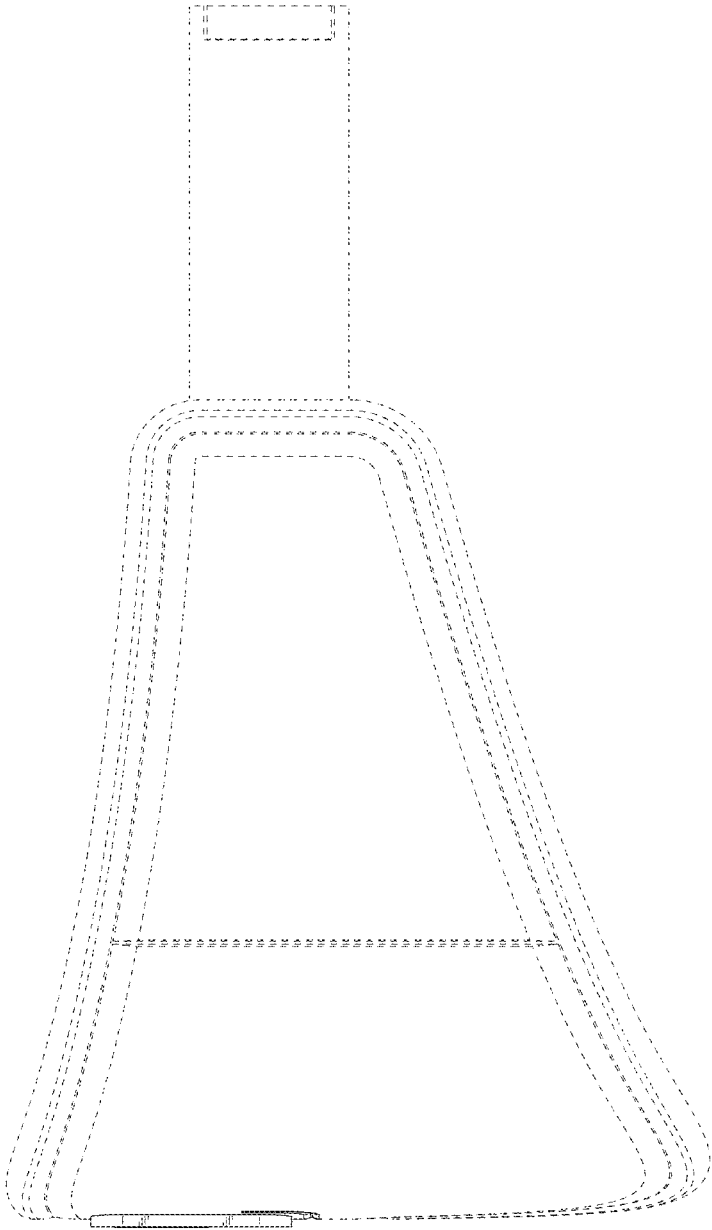


FIG. 6

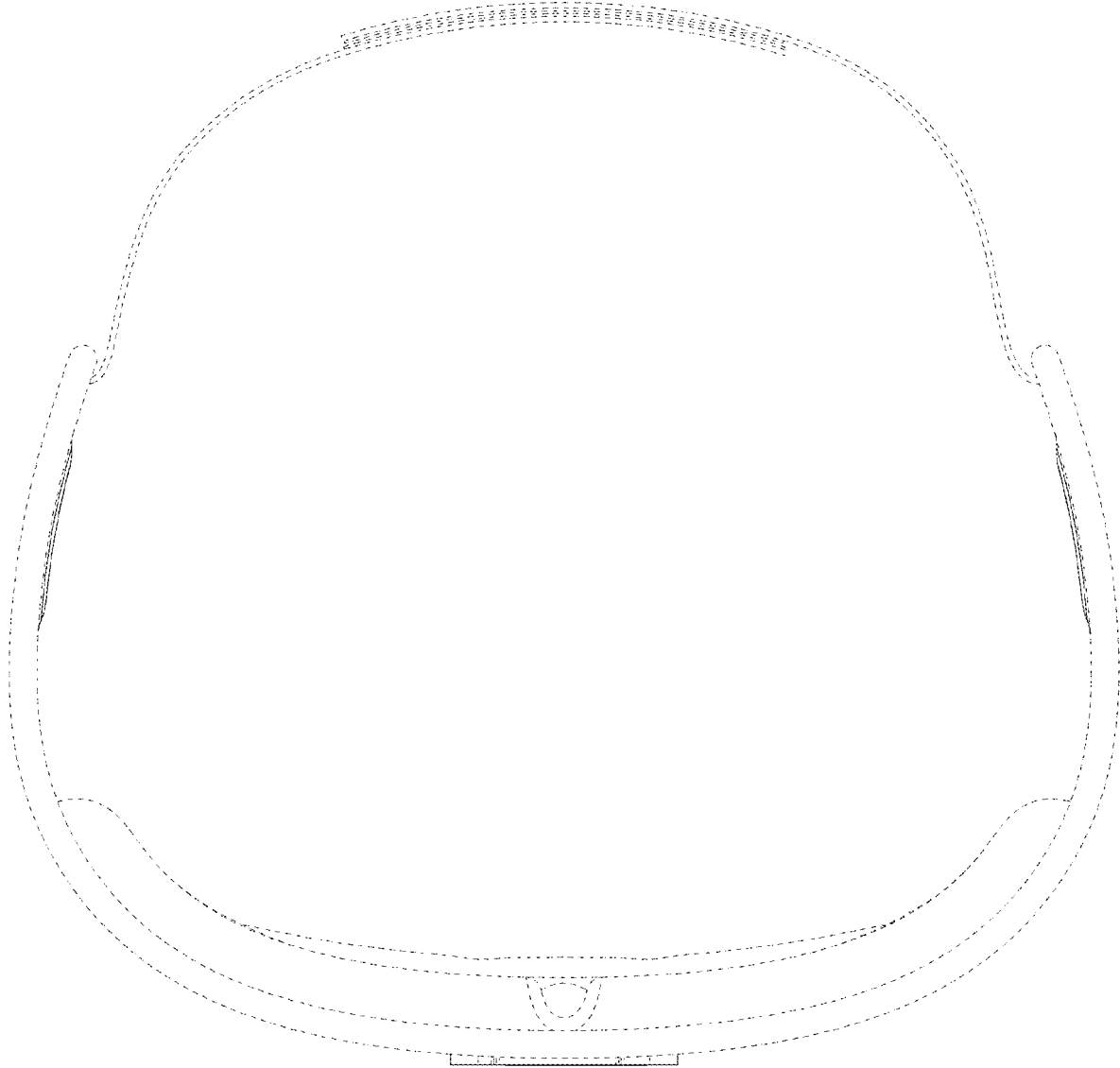


FIG. 7

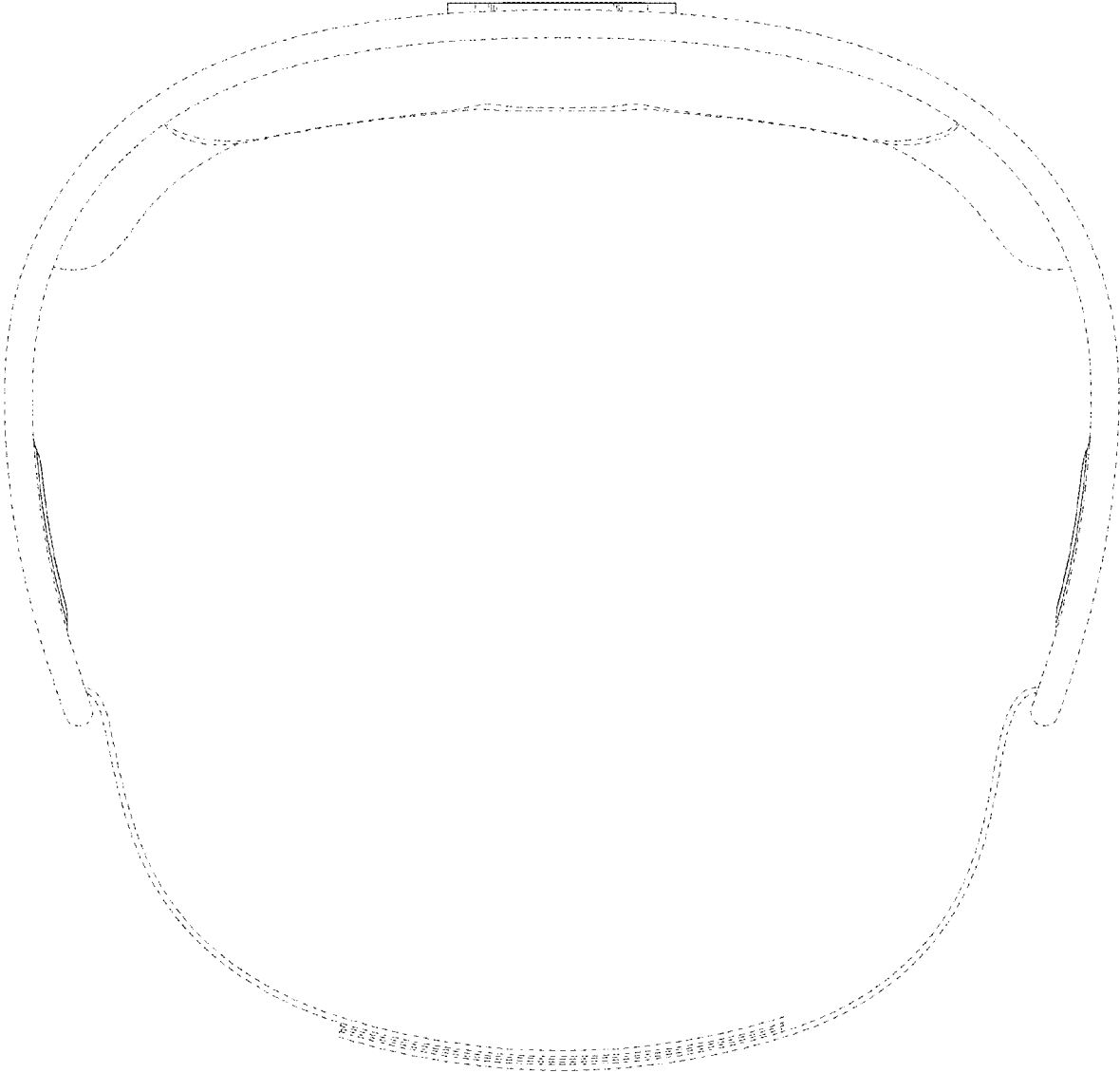


FIG. 8

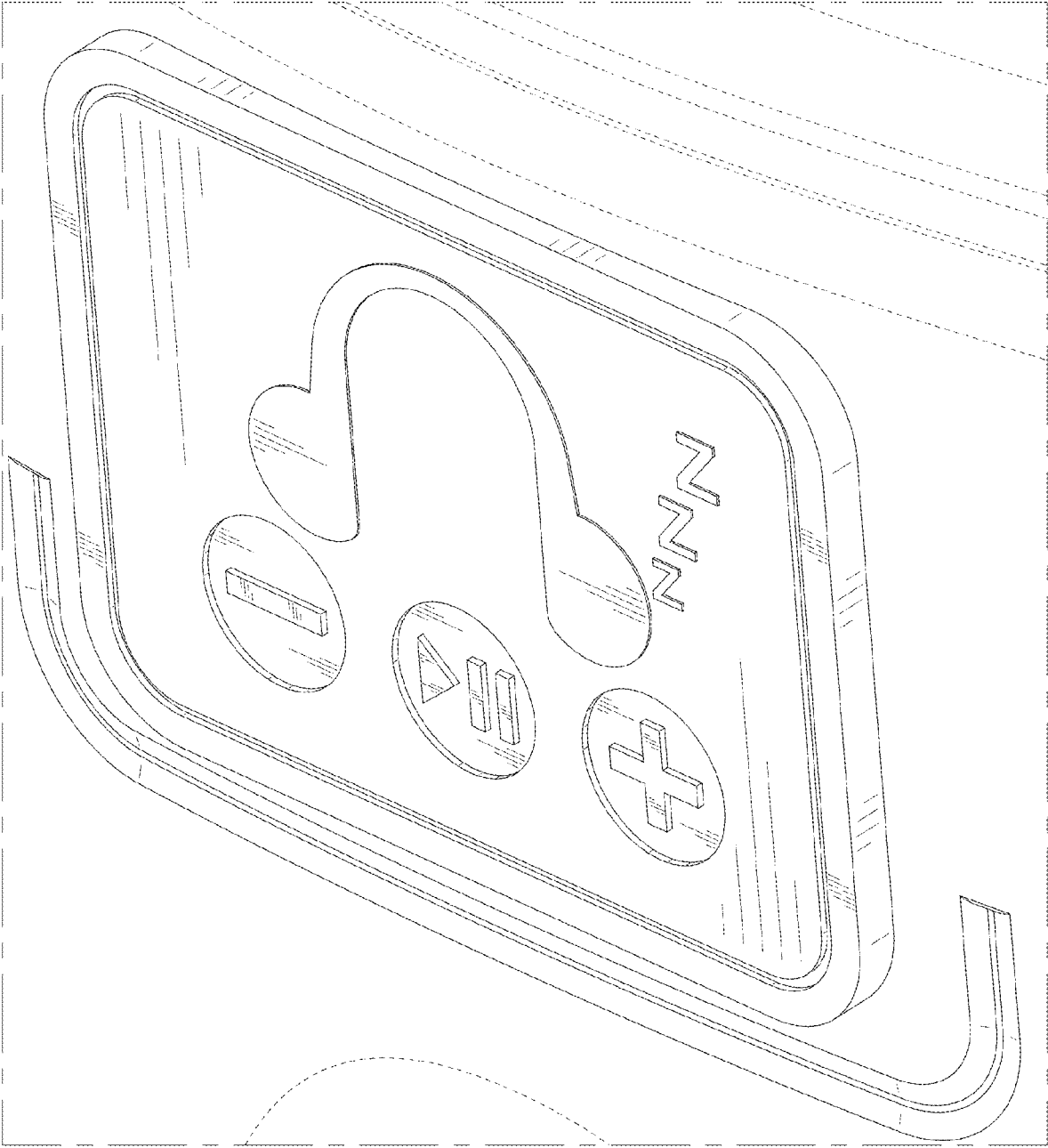


FIG. 9